

Convertamatic™ 260B

Hydro-Retriever™ 260BHD



PARTS LIST

Advance MODELS 56372450(260B), 56372460(260BHD)

This parts list is for machines after serial number 0558569

All models covered in this manual are OBSOLETE



Advance
by Nilfisk-Advance

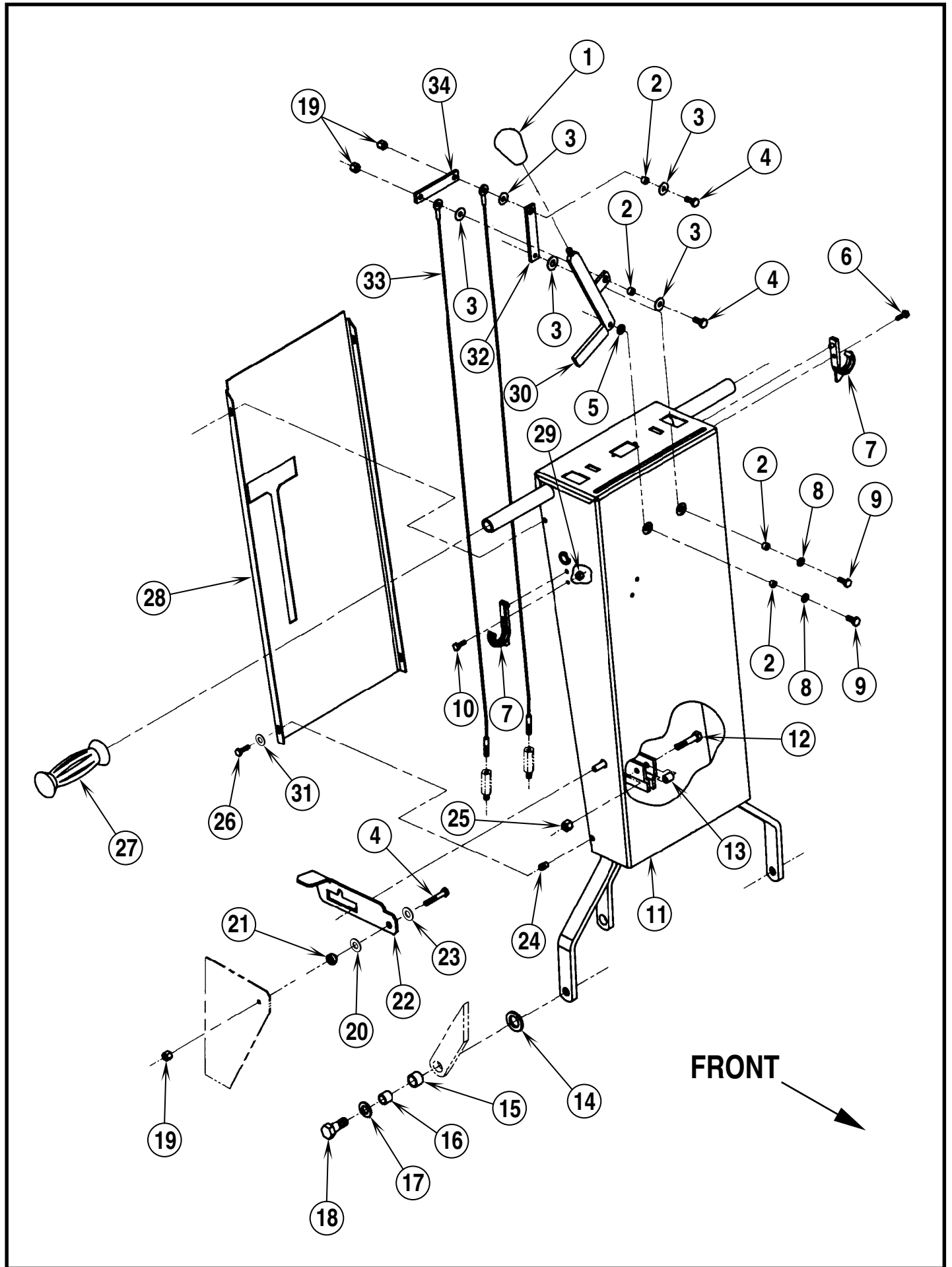
TABLE OF CONTENTS

<u>DESCRIPTION</u>	<u>PAGE</u>
Handle System	1-2
Chassis/Battery Case System	3-4
Skirt Systems	5-6
Squeegee System-260B	7-8
Squeegee System-260BHD	9-10
Wheel Drive System	11-12
Vacuum Motor System	13-14
Brush Lift System	15-16
Brush Drive System	17-18
Pads	18
Recovery System	19-20
Solution System	21-22
Decal System	23-24
Electrical System	25-26
Wiring Diagram	27-28

WHEN ORDERING PARTS

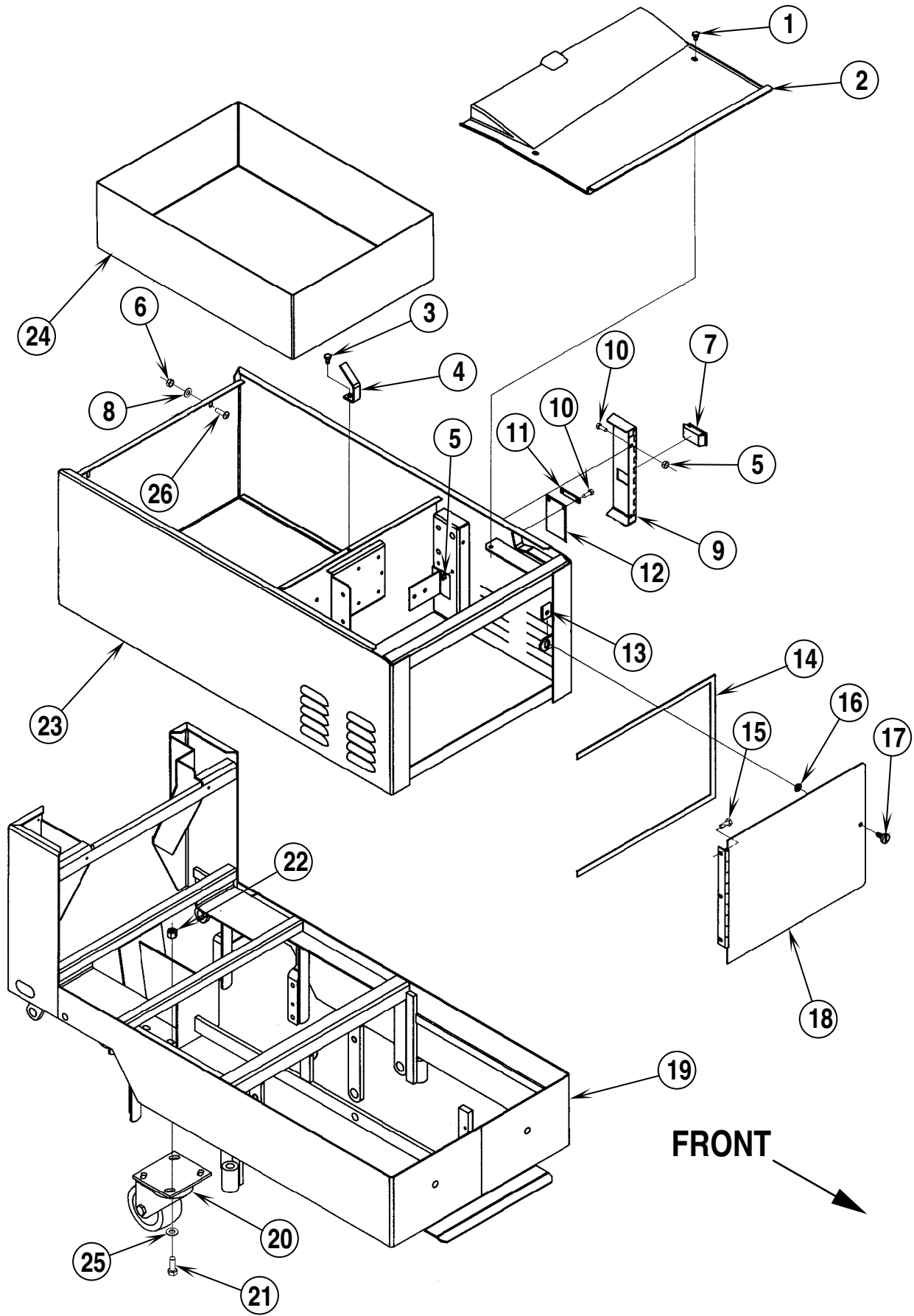
- * Use the 8 digit numbers from the "Ref. No." columns in this parts list.
- * Specify the model and serial number of the machine.
- * Use the space below to record the model and serial number for future reference.

Model _____ Serial No. _____



HANDLE SYSTEM

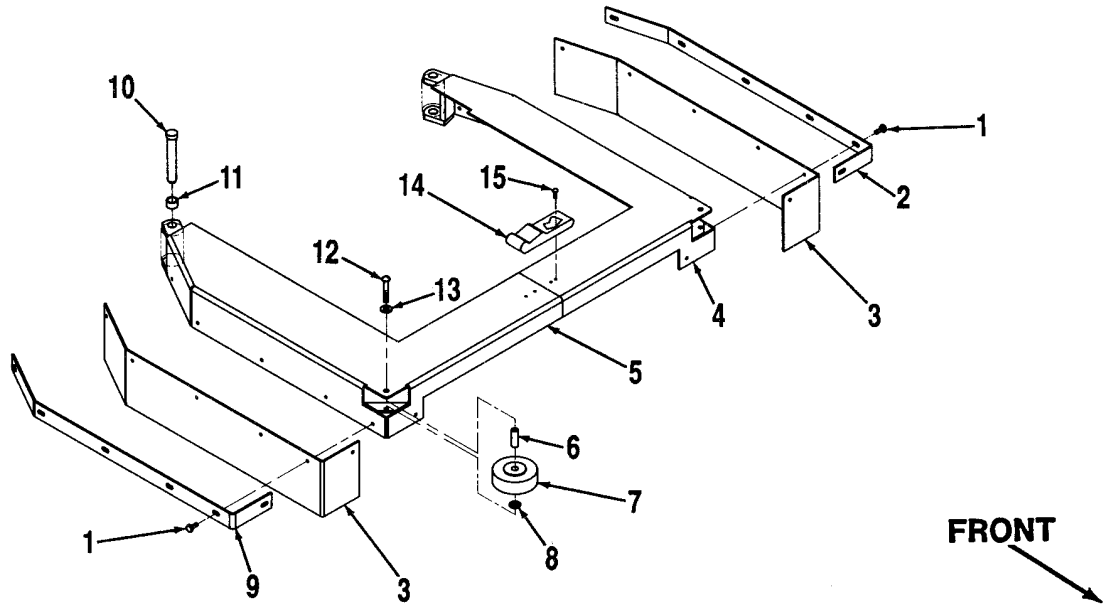
Item	Ref. No.	Qty	Description
1	56364527	1	Knob
2	56206784	4	Bushing
3	56009025	5	Wsh, Flt .26 x .75 x .03
4	56001821	3	Scr, Hex Hd 1/4-20 x .88
5	56009023	1	Wsh, Wave .37 x .56 x .02
6	56002896	1	Scr, Pan Phil SS 10-24 x .62
7	56324349	2	Hook
8	56002098	2	Wsh, Flt SAE 1/4
9	56002922	2	Scr, Hex Hd Loc 1/4-20 x .62
10	56002900	1	Scr, Pan Phil SS 10-24 x .50
11	56372138	1	Handle
12	56002094	2	Scr, Hex Hd 5/16-18 x 1.50
13	56365088	2	Bushing
14	56009022	2	Wsh, Flt .75 x 1.25 x .12
15	56367168	2	Bearing
16	56367206	2	Bushing
17	56009017	2	Wsh, Flt Harden .51 x .93 x .07
18	56003022	2	Scr, Hex Hd Loc 1/2-13 x 1.25
19	56002708	3	Nut, Hex Nyl Loc 1/4-20
20	56009024	1	Wsh, Bowed .37 x .84 x .06
21	56384708	1	Bushing
22	56372141	1	Handle Latch
23	56009002	1	Wsh, Flt .26 x .90 x .06
24	56009027	4	Nutsert 8-32
25	56002826	2	Nut, Hex Nyl Loc-Thin 5/16-18
26	56002874	4	Scr, Hex Hd SS 8-32 x .75
27	56388545	2	Handle Grip
28	56372140	1	Cover Panel
29	56002832	2	Nut, Hex Nyl Loc 10-24
30	56372638	1	Lever
31	56002875	1	Wsh, Flt SAE SS #8
32	56374944	1	Bar
33	56384909	2	Wire Rope
34	56374942	1	Bar



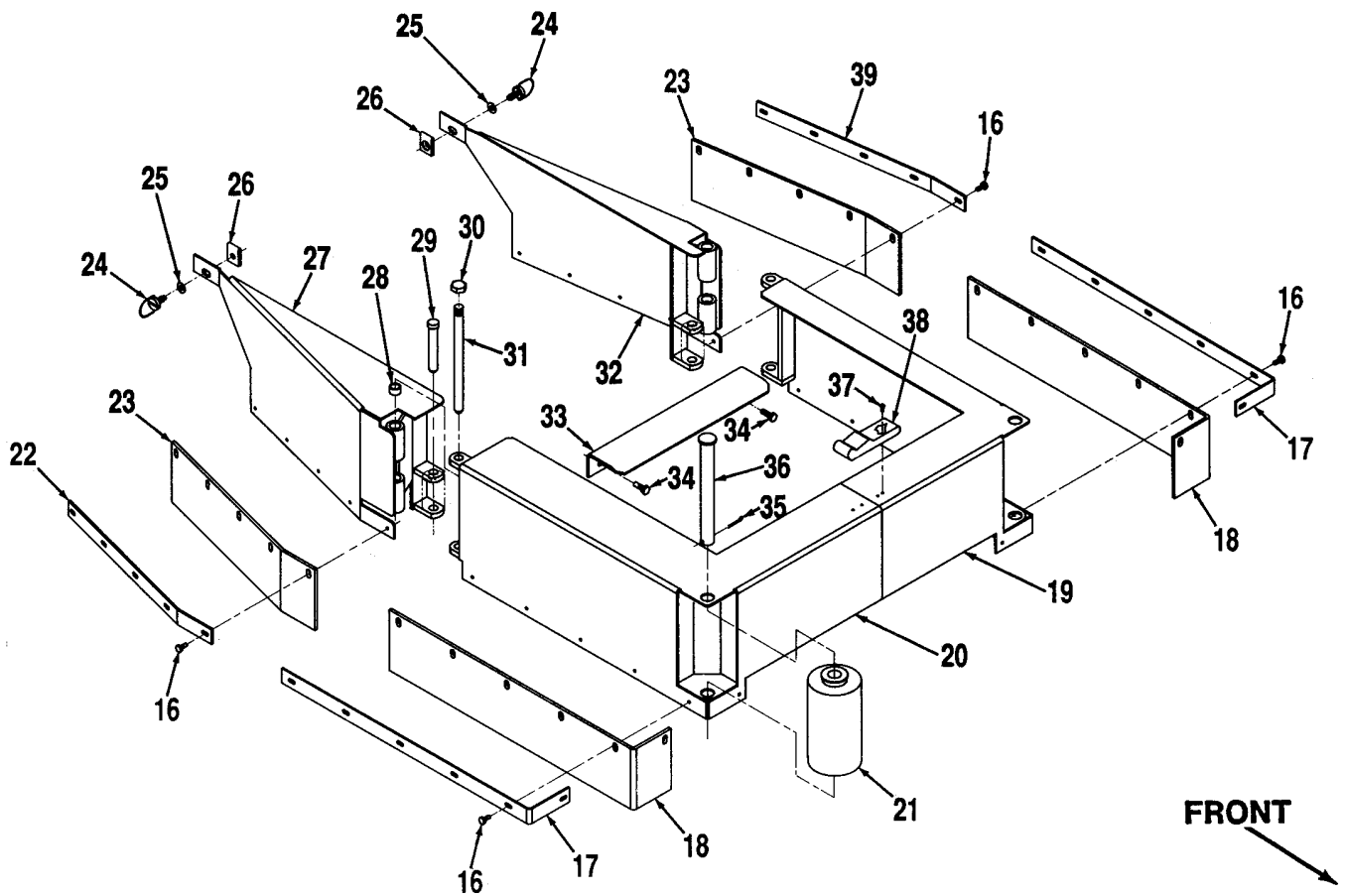
CHASSIS AND BATTERY CASE SYSTEM

Item	Ref. No.	Qty	Description
1	56009033	2	Scr, Hex Thd Form 1/4-20 x .50
2	56372134	1	Electrical Cover
3	56009018	1	Scr, Hex Thd Form 1/4-20 x .75
4	56372172	1	Bracket
5	56002832	4	Nut, Hex Nyl Loc-Thin 10-24
6	56002708	2	Nut, Hex Nyl Loc 1/4-20
7	56393358	1	Slide Latch
8	56002098	2	Wsh, Flt SAE 1/4
9	56393362	1	Door
10	56002503	4	Scr, Hex Hd 10-24 x .50
11	56324085	1	Strap
12	56324086	1	Flap
13	56491326	1	Receptacle
14	56200754	38"	Gasket (98 cm)
15	56009012	5	Scr, Hex Thd Form 10-24 x .38
16	56448108	1	Retainer
17	56448104	1	Fastener
18	56372135	1	Door
19	56372209	1	Chassis
20	56365555	1	Caster
	56365742		Replacement Wheel for 56365555
21	56002663	4	3/8-16 x 1 Bolt
22	56002769	4	3/8-16 Nyl Loc Nut
23	56372104	1	Battery Housing
24	56372922	1	Plastic Tray
25	56002063	4	Wsh, Flt SAE 3/8
26	56002784	2	Scr, Flt Phil 1/4-20 x .75

260B



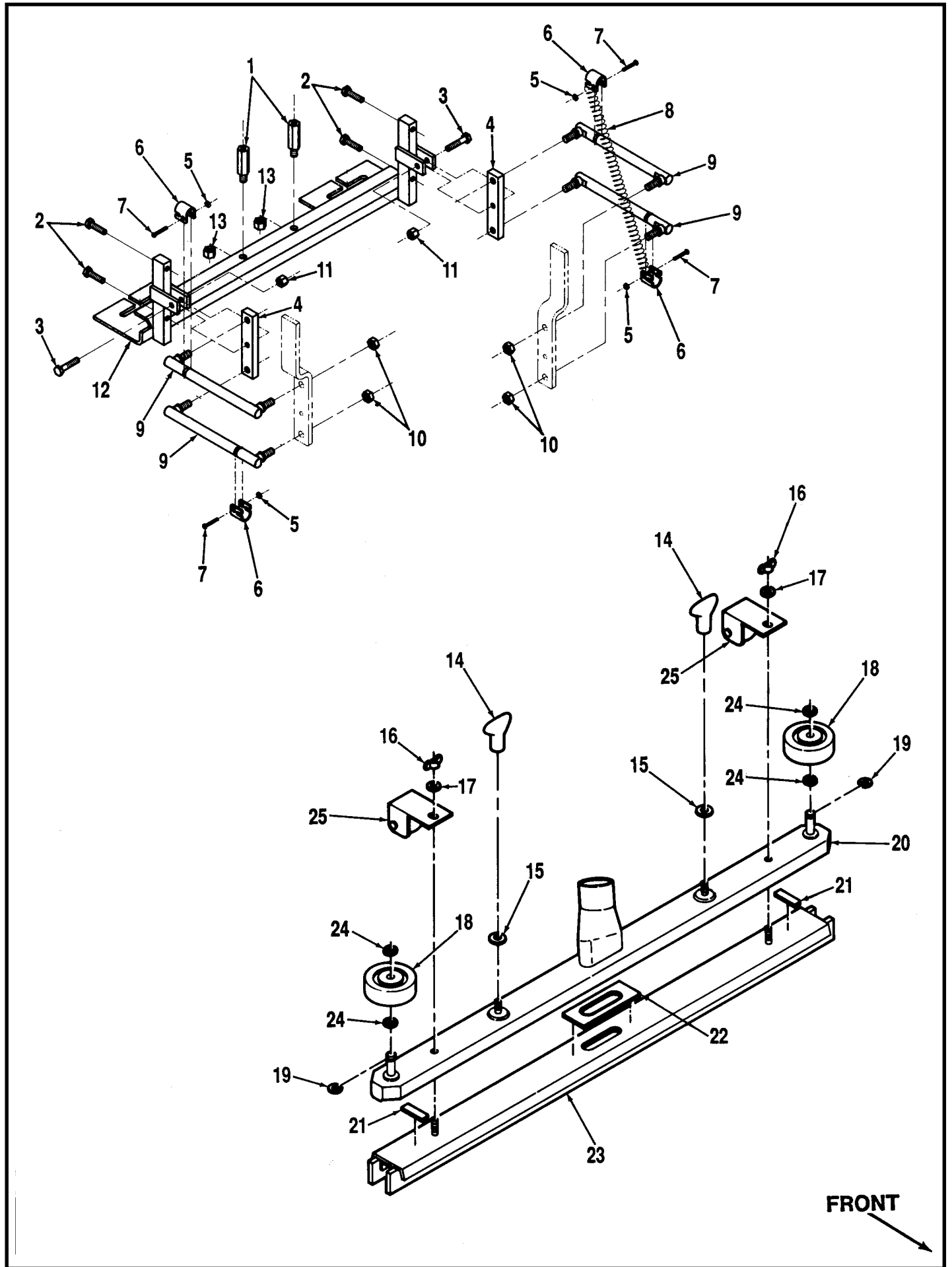
260BHD



SKIRT SYSTEMS

Item	Ref. No.	Qty	Description
Skirt System 260B			
1	56002683	12	#10-24 x 1/2 HP-5 Screw
2	56372151	1	Left Strap
3	56551127	2	Skirt
4	56372168	1	Left Splash Guard
5	56372169	1	Right Splash Guard
6	56360139	2	Bushing
7	56324350	2	Wheel
8	56371009	2	Washer
9	56372144	1	Right Strap
10	56360147	2	Pin
11	56372201	4	Bearing
12	56002941	2	1/4-20 x 1 1/2 HP-5 Screw
13	56002859	2	1/4 SS Flt Washer
14	56462316	1	Latch
15	56570514	4	#6-32 x 3/8 HP-5 Screw
Skirt System 260BHD			
16	56002683	22	#10-24 x 1/2 HP-5 Screw
17	56372152	2	Front Strap
18	56372876	2	Front Skirt
19	56372292	1	Left Splash Guard
20	56372288	1	Right Splash Guard
21	56372740	2	Roller Bumper
*	56362352	4	Bearing
22	56372918	1	Right Rear Strap
23	56372920	2	Rear Skirt
24	56448104	2	Screw Fastener
25	56448108	2	Retainer Washer
26	56468960	2	Screw Receptacle
27	56372280	1	Right Rear Splash Guard
28	56372201	8	Bearing
29	56360147	2	Pin
30	56372880	2	1/2-13 Cap Nut
31	56372878	2	Pin
32	56372284	1	Left Rear Splash Guard
33	56372294	1	Bracket
34	56002514	2	1/4-20 x 3/4 HP-5 Screw
35	56002529	2	Cotter Pin
36	56372882	2	Pin
37	56570514	4	#6-32 x 3/8 HP-5 Screw
38	56462316	1	Latch
39	56372936	1	Left Rear Strap

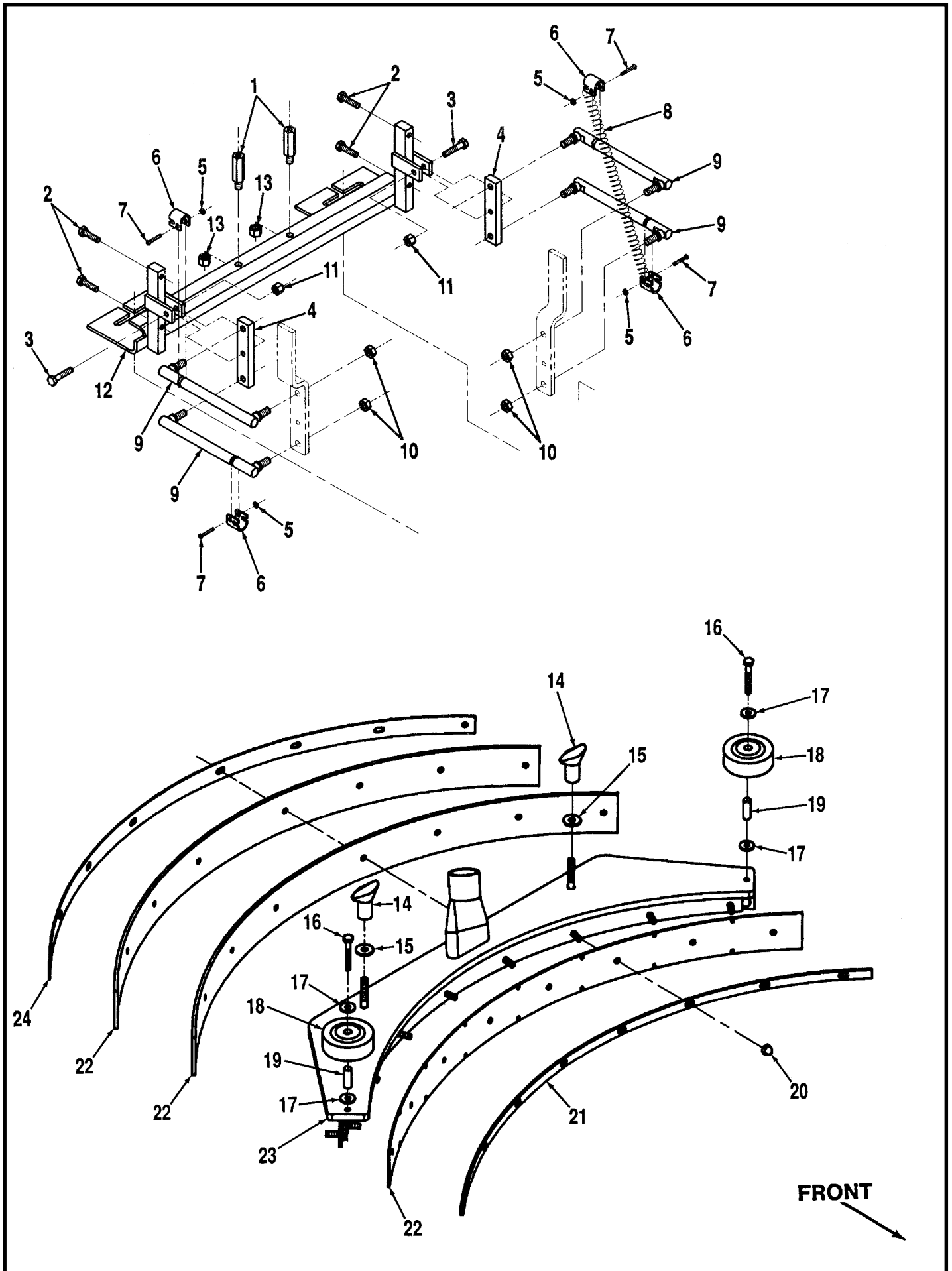
* = Not Shown



SQUEEGEE SYSTEM - 260B

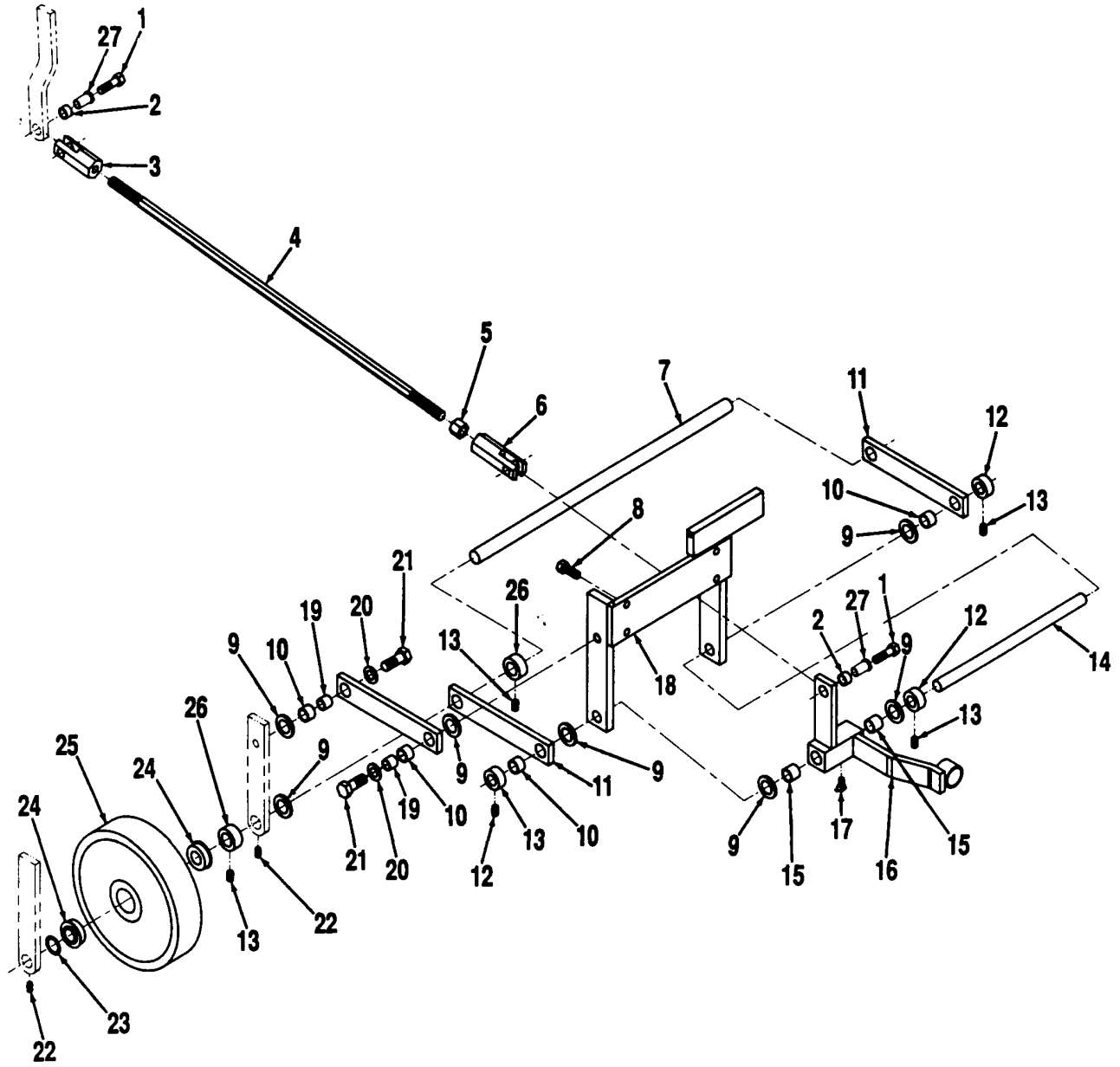
Item	Ref. No.	Qty	Description
1	56374940	2	Turnbuckle
2	56002883	4	1/4-20 x 1 SS Screw
3	56002897	2	1/4-20 x 1 1/4 SS Screw
4	56395532	2	Squeegee Mount Bar
5	56002838	4	#4-40 Nyl Loc Nut
6	56395534	4	Clamp
7	56002183	4	#4-40 x 7/8 Screw
8	56395528	2	Spring
9	56365289	4	Rod
10	56002866	4	5/16-24 Nyl loc Nut
11	56002491	2	1/4-20 SS Nyl Loc Nut
12	56372157	1	Squeegee Mount
13	56001923	2	5/16-24 LH Nut
	56372975	1	Squeegee Assembly (#14-25)
14	56370711	2	Thumb Nut
15	56001939	2	5/16 Flt Washer
16	56201677	2	1/4-20 Locking Wing Nut
17	56002098	2	1/4 Flt Washer
18	56363855	2	Wheel
19	56157060	2	Retainer Ring
20	56372978	1	Squeegee Tool
21	56400614	2	Gasket
22	56400613	1	Gasket
23	56372992	1	Cartridge Assembly
*	56105554	1	Channel
*	56105555	1	Retainer
*	56105535	2	Squeegee Blade
*	56003067	2	1/4-20 x 1 SS Screw
*	56003037	2	1/4-20 x 1/4 SS Screw
24	56371009	4	3/8 Flt Washer
25	56387376	2	Roller

* = Not Shown



SQUEEGEE SYSTEM - 260BHD

Item	Ref. No.	Qty	Description
1	56374940	2	Turnbuckle
2	56002883	4	1/4-20 x 1 SS Screw
3	56002897	2	1/4-20 x 1 1/4 SS Screw
4	56395532	2	Squeegee Mount Bar
5	56002838	4	#4-40 Nyl Loc Nut
6	56395534	4	Clamp
7	56002183	4	#4-40 x 7/8 Screw
8	56395528	2	Spring
9	56365289	4	Rod
10	56002866	4	5/16-24 Nyl loc Nut
11	56002491	2	1/4-20 SS Nyl Loc Nut
12	56372157	1	Squeegee Mount
13	56001923	2	5/16-24 LH Nut
	56372750	1	Squeegee Assembly (#14-24)
14	56370711	2	Thumb Nut
15	56001939	2	5/16 Flt Washer
16	56001833	2	1/4-20 x 1 1/2 Screw
17	56002098	4	1/4 Flt Washer
18	56363855	2	Wheel
19	56471220	2	Bushing
20	56372776	18	#10-24 Brass Cap Nut
21	56372770	1	Inner Strap
22	56372786	1	Gum Rubber Blade Kit
*	56372784	1	Neoprene Blade Kit
23	56372752	1	Squeegee Tool
24	56372772	1	Outer Strap

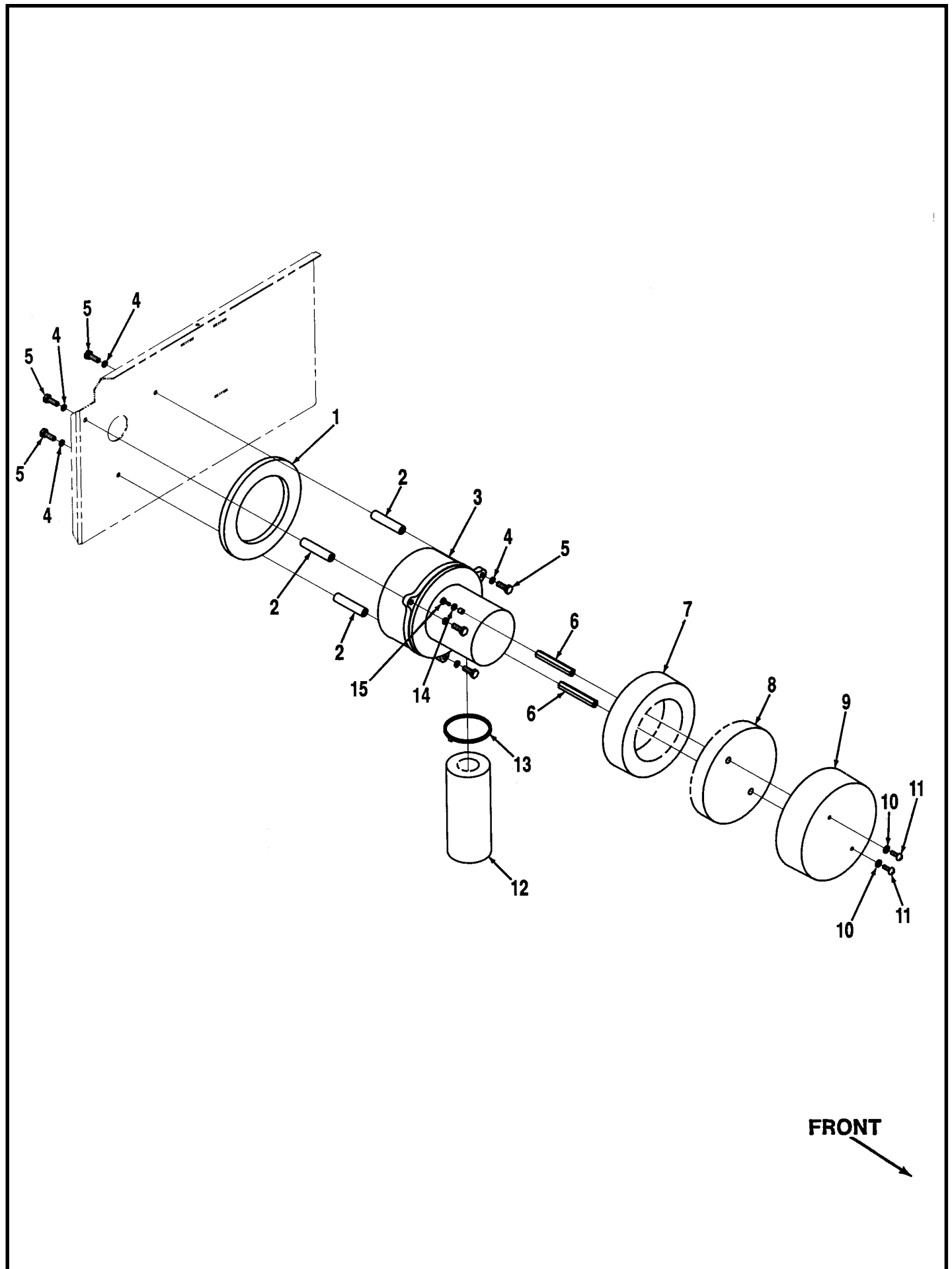


FRONT



WHEEL DRIVE SYSTEM

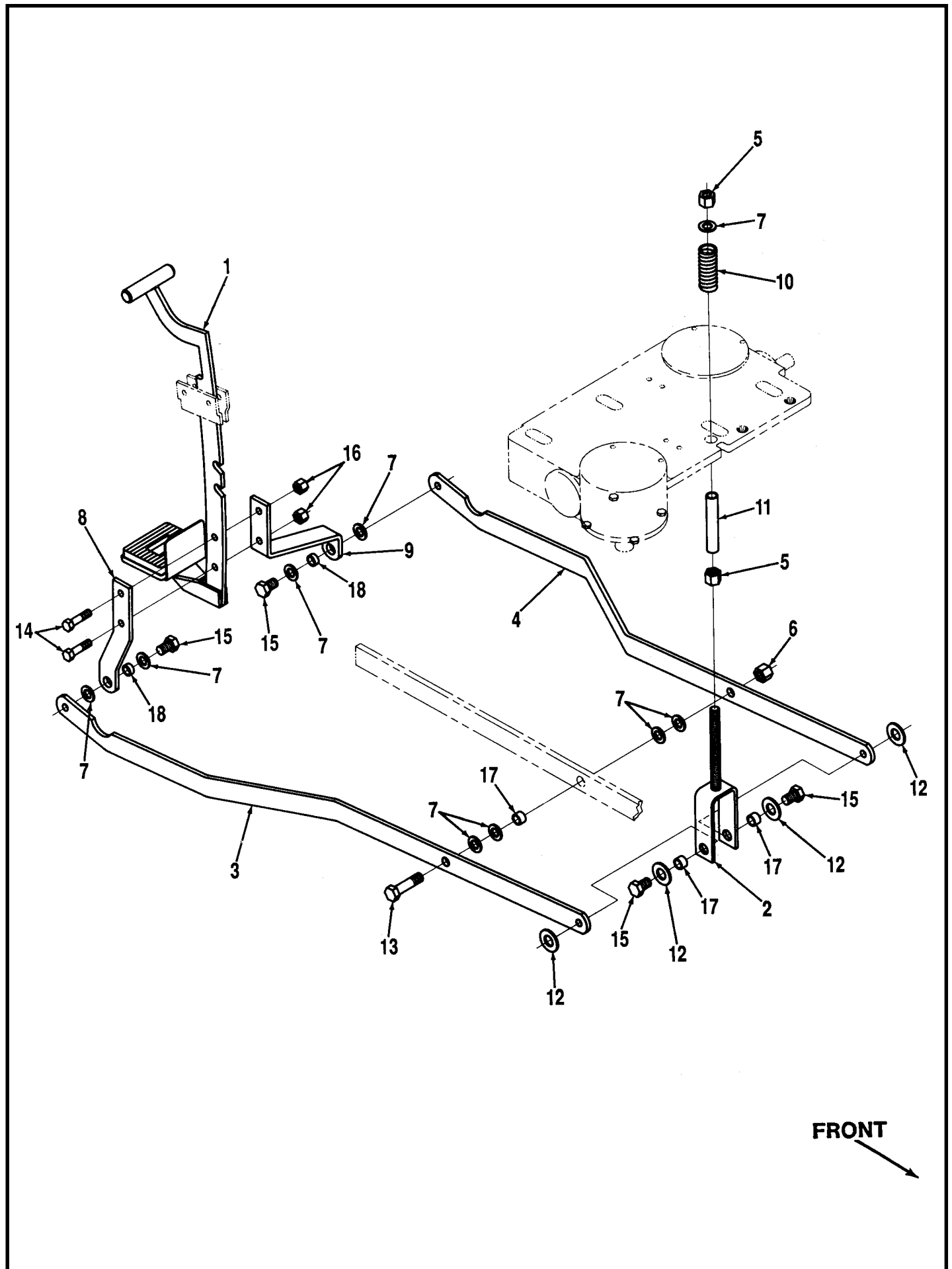
Item	Ref. No.	Qty	Description
1	56003029	2	3/8-16 x 1 1/4 Loc Bolt
2	56366633	2	Bearing
3	56366617	1	Right Yoke
4	56372005	1	Drive Adjust Rod
5	56002770	1	1/2-13 Jam Nut
6	56366609	1	Left Yoke
7	56372196	1	Axle
8	56002947	4	3/8-16 x 1 Loc Bolt
9	56367192	10	Washer
10	56367168	6	Bearing
11	56372708	4	Drive Unit Arm
12	56367354	3	Collar
13	56002086	7	5/16-18 x 1/4 Loc Set Screw
14	56367346	1	Shaft
15	56367389	2	Bearing
16	56366581	1	Lever
17	56101753	1	Grease Fitting
18	56550569	1	Bracket
19	56367206	4	Bushing
20	56367214	8	Washer
21	56003022	4	1/2-13 x 1 1/4 Loc Bolt
22	56002119	4	1/4-20 x 1/2 Loc Set Screw
23	56362883	2	Spring Washer
24	56362352	4	Bearing
25	56377961	2	Wheel
26	56367095	4	Collar
27	56366625	2	Bushing, Flange



VACUUM MOTOR SYSTEM

Item	Ref. No.	Qty	Description
1	56385437	1	Gasket
2	56372158	3	Stand Off
3	56324189	1	Vacuum Motor
*	56503003	1	Carbon Brush Set For 56324189
4	56002098	6	1/4 Flt Washer
5	56002933	6	1/4-20 x 3/4 Screw
6	56391795	2	Stand Off
7	56391809	1	Foam
8	56391808	1	Foam
9	56391794	1	Cover
10	56002410	2	#8 Flt Washer
11	56002810	2	#8-32 x 5/8 HP-5 Screw
12	56391807	1	Foam
13	56478246	1	Cable Tie
14	56002006	2	#6 Flt Washer
15	56003068	2	#6-32 x 3/8 Screw

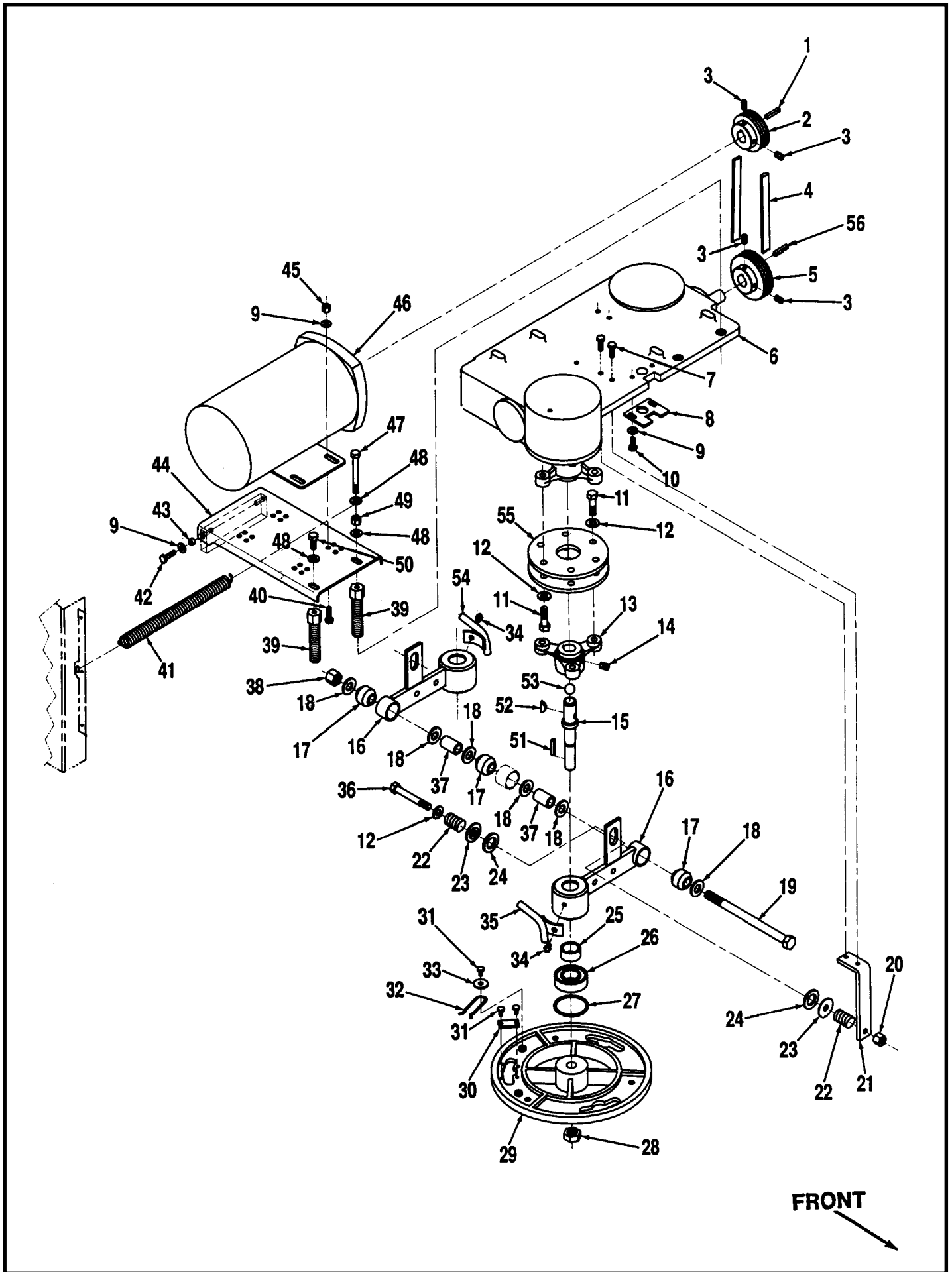
* = Not Shown



BRUSH LIFT SYSTEM

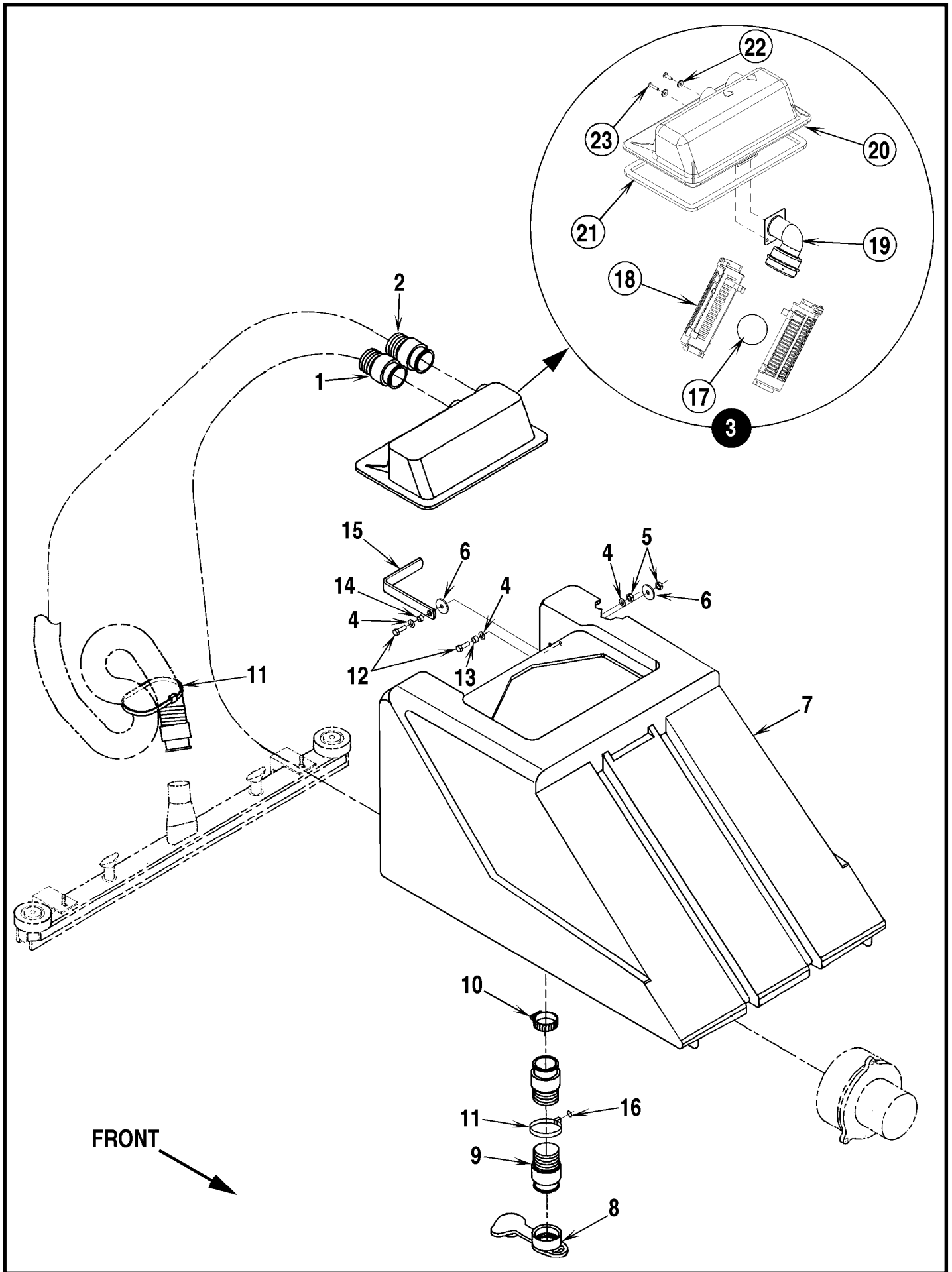
Item	Ref. No.	Qty	Description
1	56372148	1	Pedal Assy
*	56016281	1	Decal, Brush
*	56001832	2	1/4-20 x 1 Fit Hd Screw
*	56365081	1	Plate
*	56365086	1	Rubber Pad
*	56365087	1	Pedal Cup
*	56380255	1	Foot Guard
*	56372147	1	Pedal
2	56372102	1	Yoke
3	56372154	1	Right Arm
4	56372162	1	Left Arm
5	56002682	2	1/2-13 Jam Nut
6	56002770	1	1/2-13 Nyl Loc Nut
7	56367214	9	Washer
8	56373606	1	Right Plate
9	56373614	1	Left Plate
10	56372129	1	Spring
11	56372110	1	Bushing
12	56002022	4	5/8 Fit Washer
13	56002983	1	1/2-13 x 2 Bolt
14	56002095	2	3/8-16 x 1 1/2 Bolt
15	56003032	4	1/2-13 x 3/4 Bolt
16	56002769	2	3/8-16 Nyl Loc Nut
17	56360627	3	Bushing
18	56365030	2	Bushing

* = Not Shown



BRUSH DRIVE SYSTEM

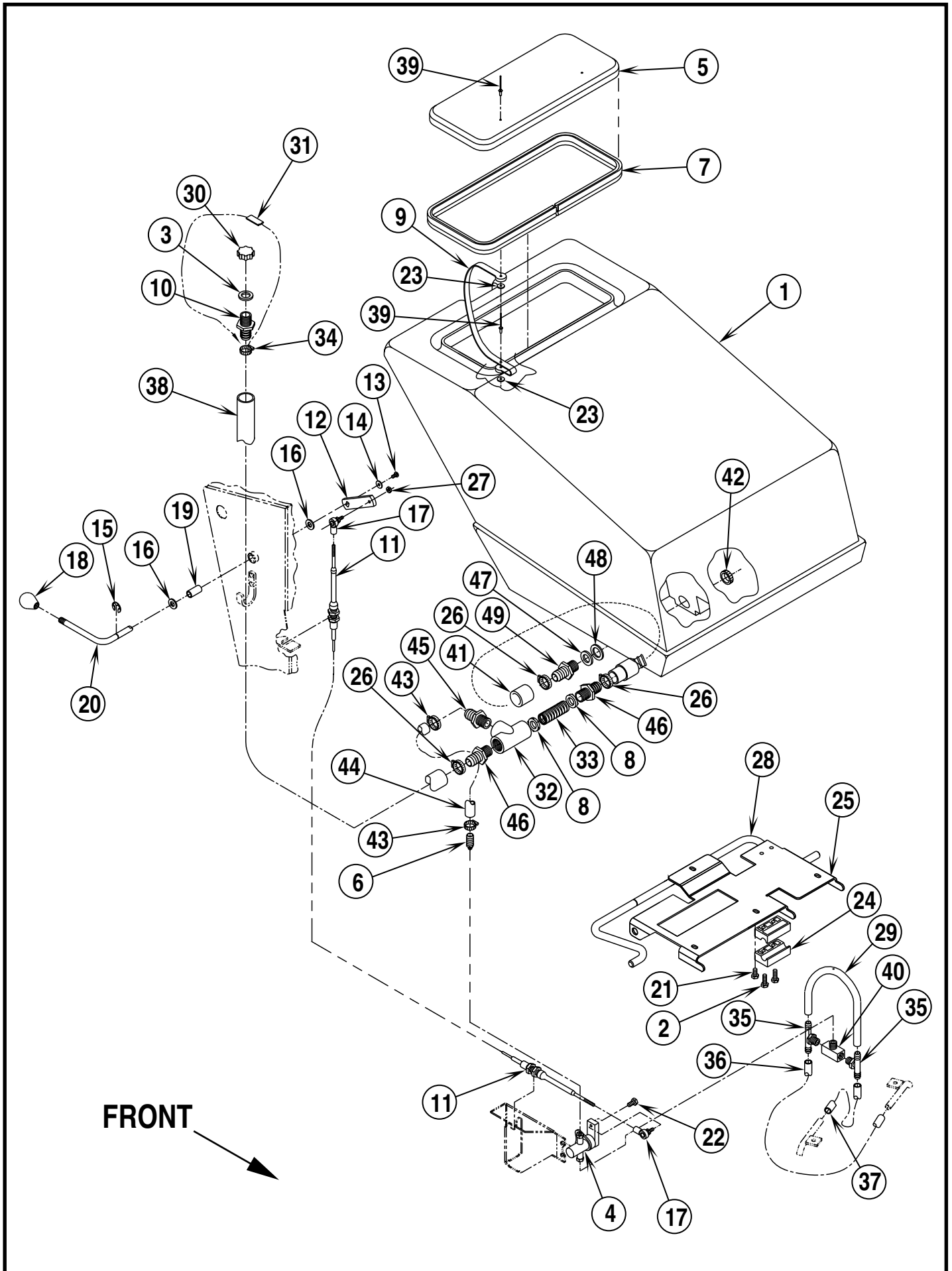
Item	Ref. No.	Qty	Description	Item	Ref. No.	Qty	Description
1	56367958	1	Key	36	56001892	2	3/8-16 x 2 3/4 Bolt
2	56372626	1	Sheave	37	56440698	2	Bushing
3	56001826	4	5/16-18 x 1/2 Loc Set Screw	38	56002846	1	1/2-13 SS Nyl Loc Nut
4	56372242	1	Belt	39	56378631	2	Screw Stud
5	56372891	1	Sheave (after SN 0565360)	40	56001821	4	1/4-20 x 7/8 Screw
	56372889	1	Sheave (before SN 0565361)	41	56371114	1	Spring
6	56550113	1	Gear Box TSB610, G-8	42	56002960	2	1/4-20 x 7/8 Loc Screw
7	56002514	6	1/4-20 x 3/4 HP-5 Screw	43	56368989	2	Bushing
8	56372704	1	Plate	44	56372039	1	Mount Plate
9	56002098	8	1/4 Flt Washer	45	56002708	4	1/4-20 Nyl Loc Nut
10	56002922	2	1/4-20 x 5/8 Loc Screw	46	56393493	1	Brush Motor
11	56003029	12	3/8-16 x 1 1/4 Loc Screw	*	56393494	1	Carbon Brush Set For 56393493
12	56002910	14	3/8 SS Flt Washer	47	56002203	1	5/16-18 x 2 3/4 Bolt
13	56378313	2	Universal Casting	48	56001939	3	5/16 Flt Washer
14	56001958	2	3/8-16 x 1/2 Loc Set Screw	49	56002025	1	5/16-18 Jam Nut
15	56378321	2	Brush Holder Shaft	50	56002956	1	5/16-18 x 3/4 Bolt
16	56550191	2	Arm	51	56378704	2	Key
	56372180	2	Arm Assy (#16, 25-27 & 34)	52	56378291	2	Wdf Key
17	56114545	3	Rubber Bushing	53	56366404	2	Ball
18	56002918	6	1/2 SS Flt Washer	54	56369136	1	Solution Pipe
19	56003071	1	1/2-13 x 7 Bolt	55	56104647	4	Flex Disc
20	56002769	2	3/8-16 Nyl Loc Nut	56	56367958	1	Key (before SN 0565361)
21	56378437	2	Bracket		56378704	1	Key (after SN 0565360)
22	56171177	4	Spring				
23	56440760	4	Washer				Pad Holders and Brushes
24	56367184	4	Thrust Bearing	**	56505760	2	Pad Holder
25	56378372	2	Bushing	**	56505761	2	Magna Grit 46 Brush
26	56378380	4	Bearing (after SN 0565360)	**	56505762	2	Dyna Grit 80 Brush
	56372773	4	Bearing (before SN 0565361)	**	56505763	2	AgLite Grit 500 Brush
27	56378399	2	Retainer Ring	**	56505764	2	Prolene Brush
28	56378348	2	5/8-18 Loc Nut	**	56505765	2	Prolite Brush
29	56378690	2	Brush Holder	**	56505766	2	Union Mix Polish Brush
30	56366455	2	Stop Plate	**	56505767	2	MidGrit 240 Brush
31	56002519	6	#10-24 x 3/8 HP-5 Screw	**	56505768	2	MidLite 180 Brush
32	56366463	2	Retainer Spring				
33	56151114	2	Washer				
34	56369128	2	Grease Fitting	*			* = Not Shown
35	56369144	1	Solution Pipe	**			** = Not Included



RECOVERY SYSTEM

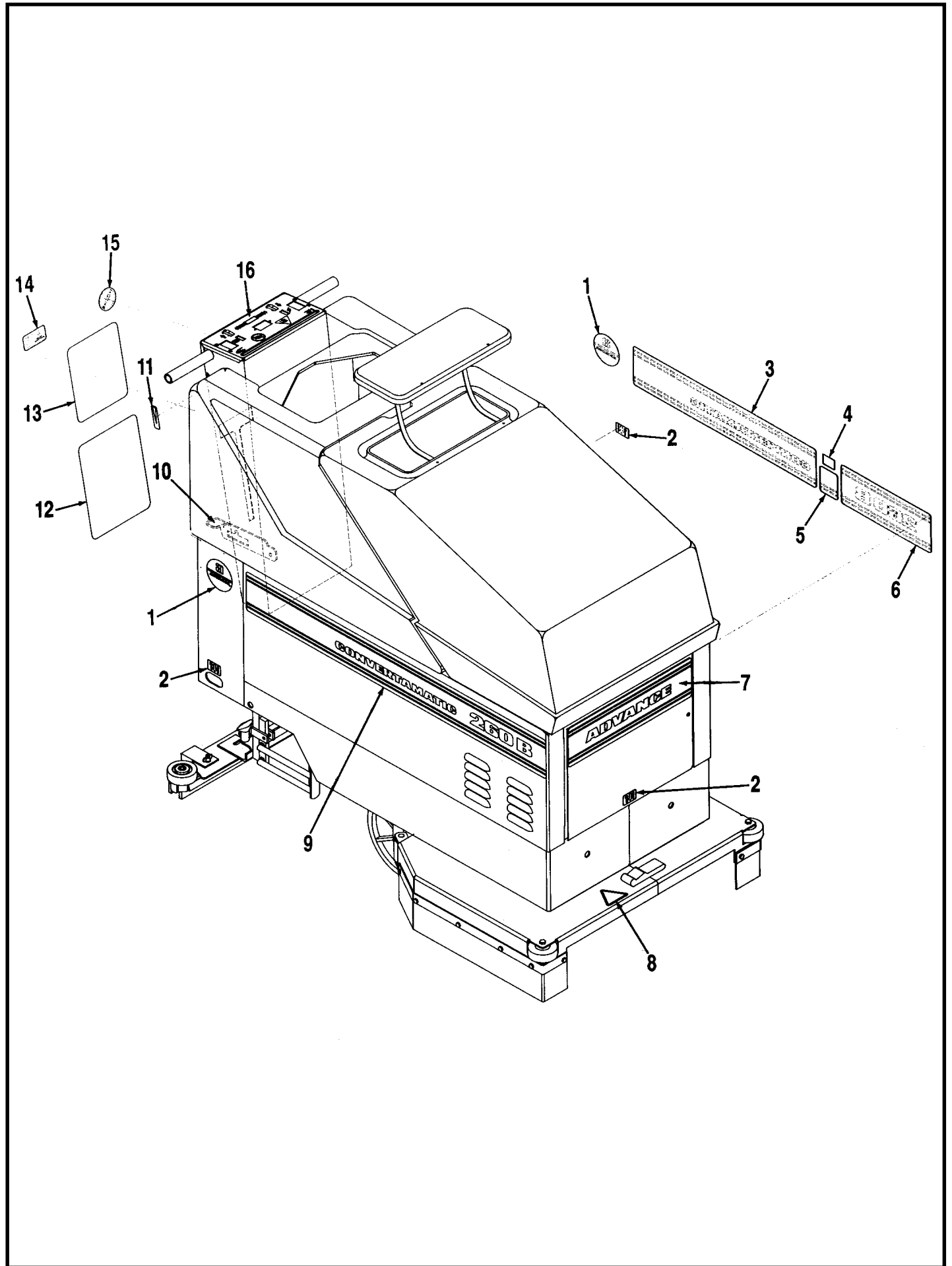
Item	Ref. No.	Qty	Description
1	56372160	1	Vacuum Hose
2	56324255	1	Squeegee Hose
3	56324396	1	Cover Assembly (#17-23)
4	56002859	6	1/4 SS Flt Washer
5	56002491	4	1/4-20 SS Nyl Loc Nut
6	56009060	4	Wsh, Flt SS .260 x 1.00 x .074
7	56372086	1	Recovery Tank
8	56324180	1	Drain Plug
9	56260820	1	Drain Hose
10	56329145	1	Hose Clamp
11	56477613	1	Cable Tie
12	56002883	4	1/4-20 x 1 SS Screw
13	56453849	2	Bushing
14	56368997	2	Bushing
15	56393157	2	Handle Grip
16	56478246	1	Wire Tie
17	56391690	1	Ball
18	56324497	2	Cage, Float
19	56324298	1	Elbow, Float
20	56324395	1	Cover, Tank
21	56262576	1	Gasket
22	56209261	2	Washer, Sealing 9/16
23	56003633	2	Scr, Pan Phil SS Type B 10-16 x .50

* = Not Shown



SOLUTION SYSTEM

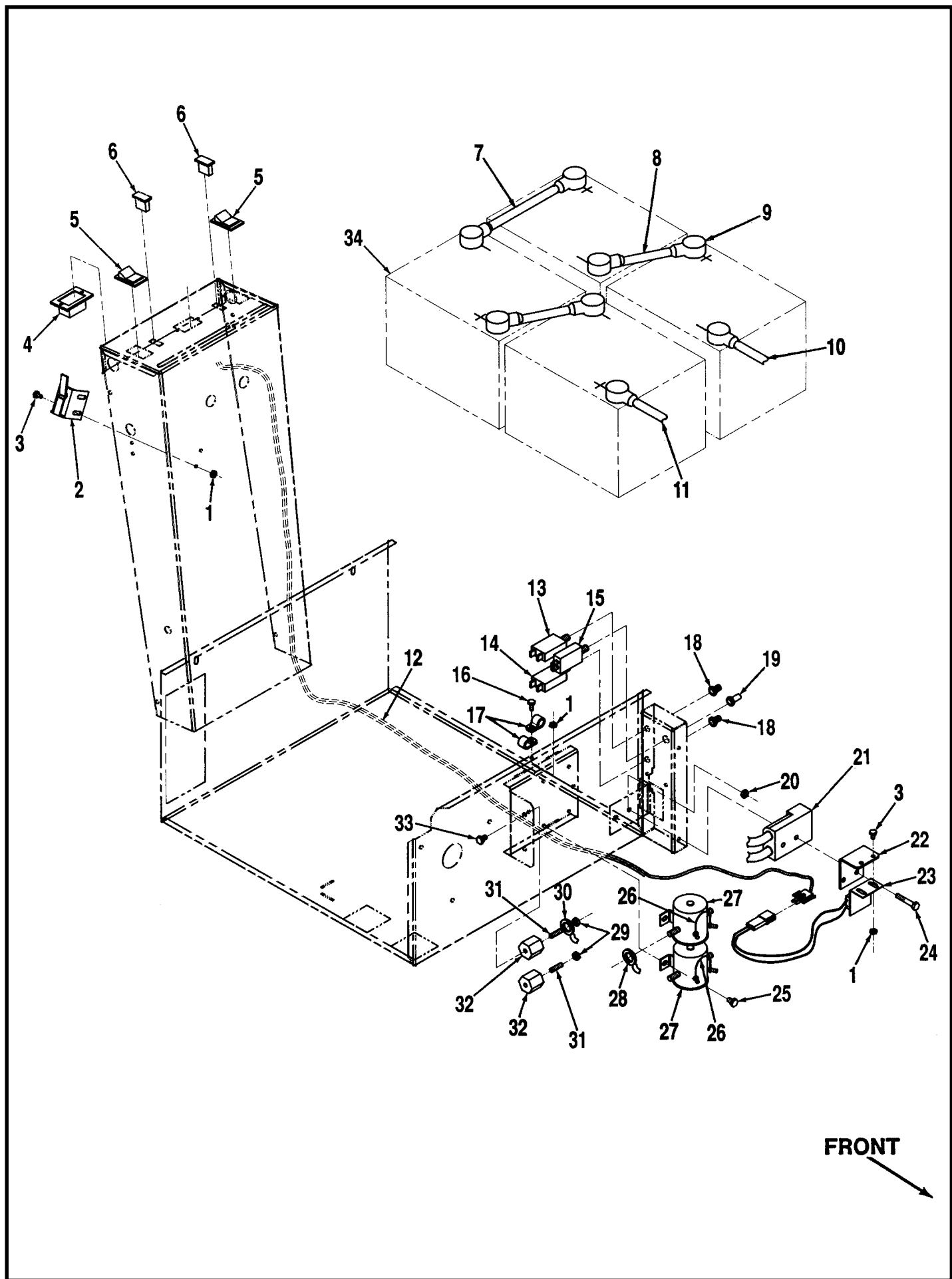
Item	Ref. No.	Qty	Description
1	56393378	1	Solution Tank
2	56002907	1	Scr, Hex Hd SS 1/4-20 x 1.50
3	56368776	1	Washer, Rubber
4	56324512	1	Valve, 2-Way
5	56261187	1	Cover
6	56373456	1	Fitting, 1/4 NPTM x 1/2 Barb
7	56261397	38"	Gasket, Raw (96.5 cm)
8	56324313	2	Washer, Rubber
9	56263379	2	Strap
10	56900273	1	Barb
11	56372091	1	Cable, Control
12	56372090	1	Bar, Linkage
13	56002926	1	Scr, Hex Hd Loc 10-24 x .38
14	56001954	1	Wsh, Flt SAE #10
15	56003262	1	Ring, Ret Ext Type E
16	56002063	2	Wsh, Flt SAE 3/8
17	56488290	2	Rod End #10
18	56378534	1	Knob
19	56200972	1	Bearing
20	56324216	1	Rod, Valve Control
21	56003039	4	Scr, Hex Hd Loc 1/4-20 x .50
22	56002922	2	Scr, Hex Hd Loc 1/4-20 x .62
23	56009098	4	Wsh, Flt SS .125 x .500 x .036
24	56393878	2	Block
25	56393880	1	Plate, Tip-Up
26	56112771	3	Clamp, Hose
27	56002873	1	Nut, Hex Nyl Loc 10-32
28	56393879	1	Bar, Tank Support
29	56150231	7"	Hose, PVC 3/8 (18 cm)
30	56255076	1	Cap
31	56324602	1	Strap
32	56324029	1	Tee, ABS 3/4 NPT
33	56324030	1	Filter
34	56477613	1	Cable Tie
35	56393224	2	Tee, Barb
36	56900297	28"	Hose, Spiral 3/8 (71 cm)
37	56900297	17"	Hose, Spiral 3/8 (43 cm)
38	56900299	42"	Hose, Spiral 3/4 (107 cm)
39	56003293	4	Rivot, Pop A/S .125 x .38/.50
40	56372506	1	Tee, Branch 1/4
41	56372175	1	Hose
42	56393187	1	Nut, Hex 3/4-16 UNF
43	56219932	2	Clamp, Hose
44	56262560	1	Hose, PVC .50 x 2.00
45	56262190	1	Barb, 3/4 NPTM x 1/2
46	56900292	2	Barb, 3/4 NPTM x 3/4
47	56249625	1	Restrainer
48	56154717	1	Wsh, Rubber
49	56393182	1	Barb



DECAL SYSTEM

Item	Ref. No.	Qty	Description
1	56017019	2	Decal, Advance Logo
2	56015370	3	Decal, Tie Down
3	56015570	1	Decal, Stripe Left 260B
*	56015580	1	Decal, Stripe Left 260BHD
4	56054192	1	Decal, Charger
5	56015390	1	Decal, Stripe Door
6	56015568	1	Decal, Stripe 260B
*	56015573	1	Decal, Stripe 260BHD
7	56015572	1	Decal, Stripe Advance
8	56015506	1	Decal, Warning Brush
9	56015569	1	Decal, Stripe Right 260B
*	56015574	1	Decal, Stripe Right 260BHD
10	56014544	1	Decal, Latch
11	56016334	1	Decal, Solution Valve
12	56015459	1	Decal, Wiring Diagram
13	56014515	1	Decal, Warning
14	56054195	1	Decal, Brush
15	56015470	1	Decal, No Pressure Wash
16	56015485	1	Decal, Control Panel

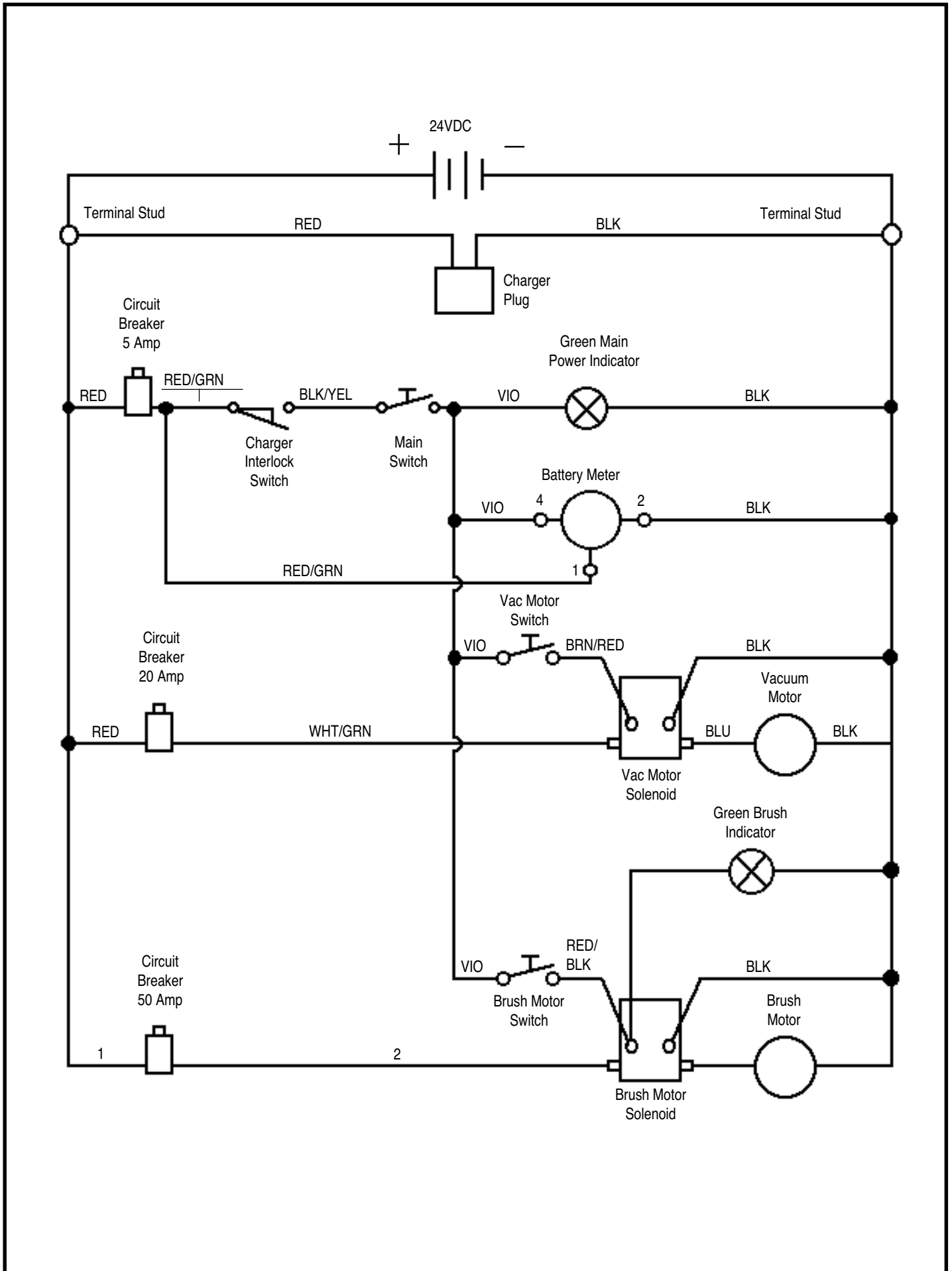
* = Not Shown



ELECTRICAL SYSTEM

Item	Ref. No.	Qty	Description
1	56002768	5	#10-24 Nyl Loc Nut
2	56372088	1	Waterproof Switch
3	56002834	4	#10-24 x 3/8 Screw
4	56372089	1	Battery Fuel Gauge
5	56393312	2	Rocker Switch
6	56389434	2	Green Lamp
7	56363936	1	Battery Cable TSB 730
8	56363928	2	Battery Cable TSB 730
9	56372673	8	Battery Cable Boot
10	56372526	1	Battery Cable TSB 730
11	56372524	1	Battery Cable TSB 730
12	56372079	1	Wiring Harness
13	56395454	1	Circuit Breaker 20A
14	56387328	1	Circuit Breaker 5A
15	56386725	1	Circuit Breaker 50A
16	56002503	2	#10-24 x 1/2 Screw
17	56442011	2	P-Clamp
18	56459367	2	Reset Button Boot
19	56459369	1	Reset Button Boot
20	56002708	2	1/4-20 Nyl Loc Nut
21	56372087	1	Connector
22	56393582	1	Switch Bracket
23	56462362	1	Switch
24	56001833	2	1/4-20 x 1 1/2 Screw
25	56002530	4	1/4-20 x 3/8 HP-5 Screw
26	56389265	2	Diode
27	56468358	2	Solenoid Contactor
28	56388026	1	Cable
29	56002040	2	1/4-20 Jam Nut
*	56001803	2	1/4 SHPRF Washer
30	56388412	1	Cable
31	56150274	2	1/4-20 x 7/8 Stud
32	56469858	2	Insulated Standoff
33	56002933	2	1/4-20 x 3/8 Loc Screw
34	N/A	4	Battery 6V

* = Not Shown



WIRING DIAGRAM

Ref. No.	Qty	Description
N/A	4	Battery 6V (not included)
N/A	1	Automatic Battery Charger (not included)
56150274	2	Terminal Stud
56372087	1	Charger Connector
56387328	1	Circuit Breaker 5A
56462362	1	Charger Interlock Switch
56393312	1	Main Power Switch
56389434	1	Green Main Power Indicator
56372089	1	Battery Meter
56395454	1	Circuit Breaker 20A
56372088	1	Vacuum Motor Switch
56468358	1	Vacuum Motor Solenoid
56324189	1	Vacuum Motor
56503003	1	Carbon Brush Set For 56324189
56389434	1	Green Brush Indicator
56386725	1	Circuit Breaker 50A
56393312	1	Brush Motor Switch
56468358	1	Brush Motor Solenoid
56393493	1	Brush Motor
56393494	1	Carbon Brush Set For 56393493



Nilfisk-Advance, Inc.
14600 21st Avenue North
Plymouth, MN, 55447-3408
www.nilfisk-advance.com
Phone: 800-989-2235
Fax: 800-989-6566
©2001 Nilfisk-Advance, Inc.,
Plymouth, MN 55447-3408
Printed in the U.S.A.