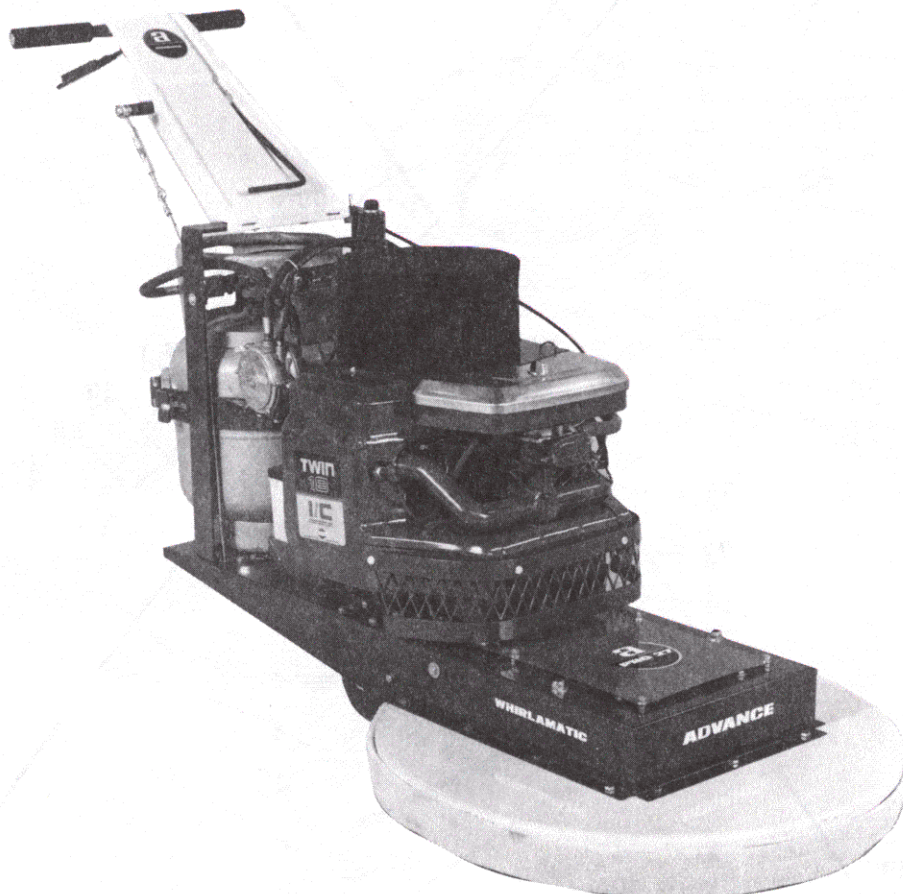


WHIRLAMATIC PRO 27

MODEL WP 27

PARTS LIST



ADVANCE
MACHINE COMPANY

INTERNATIONAL HEADQUARTERS, Plymouth, Minnesota 55441-3485

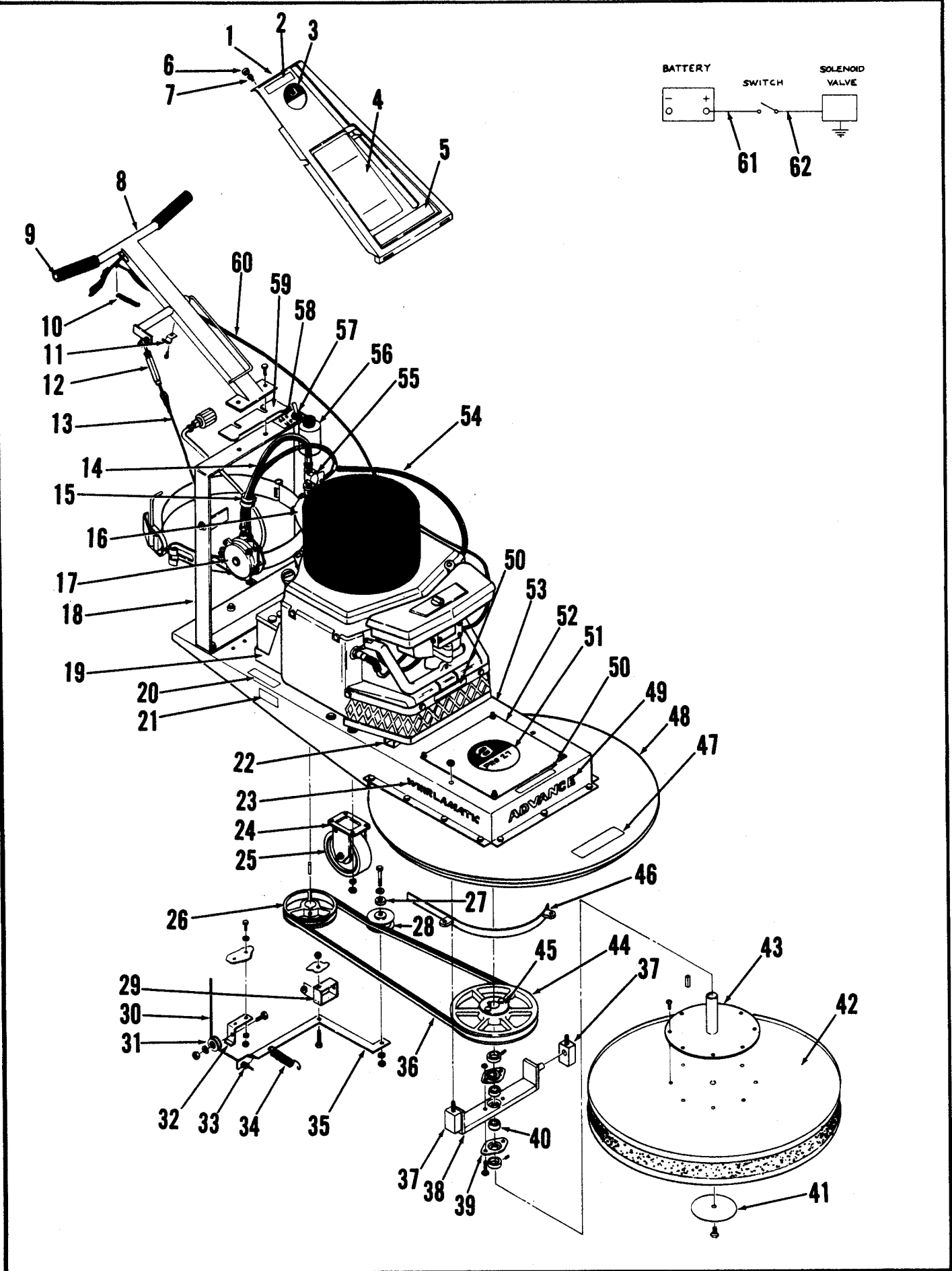
EUROPE, Llantrisant, Pontyclun, Mid-Glamorgan CF7 8YZ, Wales, United Kingdom

CANADA, 1295 Crestlawn Drive, Mississauga, Ontario L4W 1A9

© 1986 Advance Machine Co. FORM NUMBER 042 159



9/86



WHIRLAMATIC PRO 27

#	PART NO.	Q	DESCRIPTION
1	389 910	1	SHROUD
2	023 319	1	CAUTION DECAL
3	017 019	1	LOGO
4	023 317	1	INSTRUCTION DECAL
5	023 315	1	TANK STORAGE DECAL
6	387 190	3	CAP
7	002 523	3	SCREW
8	389 982	1	HANDLE
9	157 244	2	PLUG BUTTON
10	370 355	1	SPRING
11	389 968	1	CABLE CLAMP
12	389 979	1	TURNBUCKLE
13	389 980	1	CABLE
14	389 996	1	HIGH PRESSURE HOSE
15	478 246	2	CABLE TIE
16	389 997	1	REGULATOR
17	389 998	1	VACUUM SHUTOFF
18	389 993	1	TANK FRAME
19	389 984	1	BATTERY BOX
20	025 363	1	CAUTION DECAL
21	025 488	1	NAME PLATE
22	389 955	1	DEFLECTOR
23	015 096	2	WHIRLAMATIC DECAL
24	389 971	1	WHEEL ASSEMBLY
25	389 995	1	WHEEL
26	389 966	1	MOTOR PULLEY
27	389 972	1	SHIM
28	389 973	1	IDLER PULLEY
29	389 994	1	IDLER ARM BLOCK
30	389 980	1	CLUTCH CABLE
31	389 977	1	GUIDE ROLLER
32	389 978	1	GUIDE ARM
33	389 981	2	CABLE END
34	389 976	1	SPRING
35	389 974	1	IDLER ARM
36	389 956	1	BELT
37	389 960	2	PILLOW BLOCK
38	389 961	1	YOKE
39	389 987	2	STAMPING
40	389 962	2	FRONT END BEARING
41	389 965	1	PAD WASHER
42	389 964	1	DRIVE DISC
43	389 963	1	SHAFT PLATE
44	389 988	1	FRONT PULLEY
45	389 989	1	BUSHING
46	389 970	1	BELT GUARD
47	016 106	1	CAUTION DECAL
48	389 992	1	BODY HEAD
49	030 008	1	ADVANCE DECAL
50	030 072	1	"WARNING HOT" DECAL
51	023 309	1	PRO 27 DECAL
52	389 983	1	FRONT COVER PLATE
53	389 991	1	BODY
54	389 869	1	LP HOSE
55	403 582	1	ELECTRIC SOLENOID
56	389 967	1	STARTER BUTTON
57	468 359	1	TOGGLE SWITCH
58	023 313	1	ON-OFF DECAL
59	389 911	1	BRACKET
60	389 985	1	THROTTLE CABLE
61	389 952	1	WIRE
62	389 953	1	WIRE

* HOUR METER KIT
TSB # 369