

Whirlamatic™ UHS17



PARTS LIST

**Advance MODELS 56183100(115V)
56183105(230V/OBSOLETE)**



Advance
by Nilfisk-Advance

revised 7/02 FORM NO. 56042164

TABLE OF CONTENTS

00-3

Whirlamatic™ UHS17

1

DESCRIPTION	PAGE
HANDLE ASSEMBLY	2-3
BASE ASSEMBLY	4-5
WIRING DIAGRAMS	6-7

WHEN ORDERING PARTS

- * Use the 8 digit numbers from the "Ref. No." columns in this parts list.
- * Specify the model and serial number of the machine.
- * Use the space below to record the model and serial number for future reference.

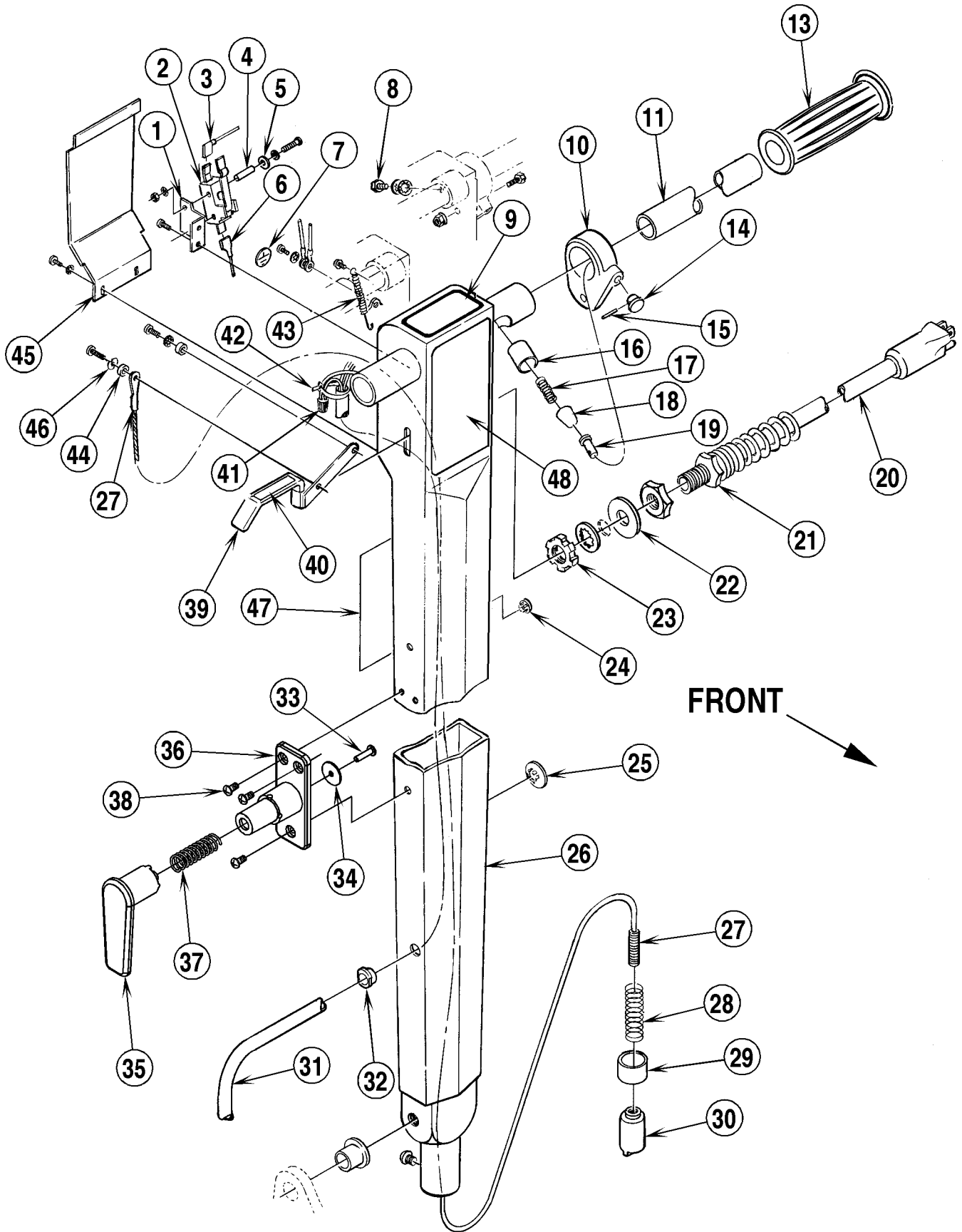
Model _____ Serial No. _____

HANDLE ASSEMBLY

2

Whirlamatic™ UHS17

00-2



HANDLE ASSEMBLY

01-2

Whirlamatic™ UHS17**3**

Item	Ref. No.	Qty	Description
1	56171209	1	Switch Bracket
2	56388019	1	Switch 115V
	56385615	1	Switch 230V
3	56321338	1	Insulator
4	56183545	2	Insulator Sleeve 230V
5	56200190	2	Fiber Washer 230V
6	56171184	1	Flag Insulator
7	56014119	1	Decal, Ground 230V
8	56234079	1	Screw
9	56014924	1	Decal, Warning
10	56172200	1	Collar
	56172215	1	Collar Assy
11	56172198	1	Handle Tube 115V
	56183527	1	Handle Tube 230V
12			Intentionally Omitted
13	56388545	2	Hand Grip 115V
	56900248	2	Hand Grip 230V
14	56201405	1	Knob
15	56003129	1	Spring Pin
16	56172201	1	Bushing
17	56201448	1	Spring
18	56172266	1	Plunger
19	56172217	1	Pin
20	56524069	1	Cord Set 115V (50 ft)
	56183141	1	Cord Set 115V (75 ft)
	56183529	1	Cord Set 230V
21	56109630	1	Strain Relief 115V
	56183525	1	Strain Relief 230V
*	56109632	1	Brass Insert
22	56171093	1	Washer
23	56171094	1	Nut 115V
	56183538	1	Nut 230V
24	56153699	4	Plug Button
25	56157244	1	Plug Button
26	56183532	1	Handle
	56183530	1	Handle Assy 115V
	56183517	1	Handle Assy 230V
27	56171099	1	Cable Assy
28	56171123	1	Spring
29	56171269	1	Bushing
30	56171132	1	Plunger
31	56183003	1	Cord Assy 115V
	56183519	1	Cord Assy 230V
32	56382817	1	Strain Relief
	56171112	1	Cord Hook Assembly (#33-37)
33	56009005	1	Scr, Pan Phil SS Type B 10-16 x .75
34	56009096	1	Wsh Flt. .193 x .875 x .060
35	56171110	1	Arm
36	56171111	1	Base
37	56380732	1	Spring
38	56009030	3	Scr, Pan Phil Thd Form 10-24 x .38
39	56017126	1	Lever
40	56014856	1	Decal
41	56321737	1	Wire Nut
42	56478246	1	Cable Tie
43	56445177	1	Spring
44	56151092	2	Spacer
45	56172262	1	Cover
46	56009125	1	Washer
47	56014828	1	Decal, Warning
48	56016439	1	Decal, Logo
*	56183523	1	Terminal Block 230V

* = Not Shown

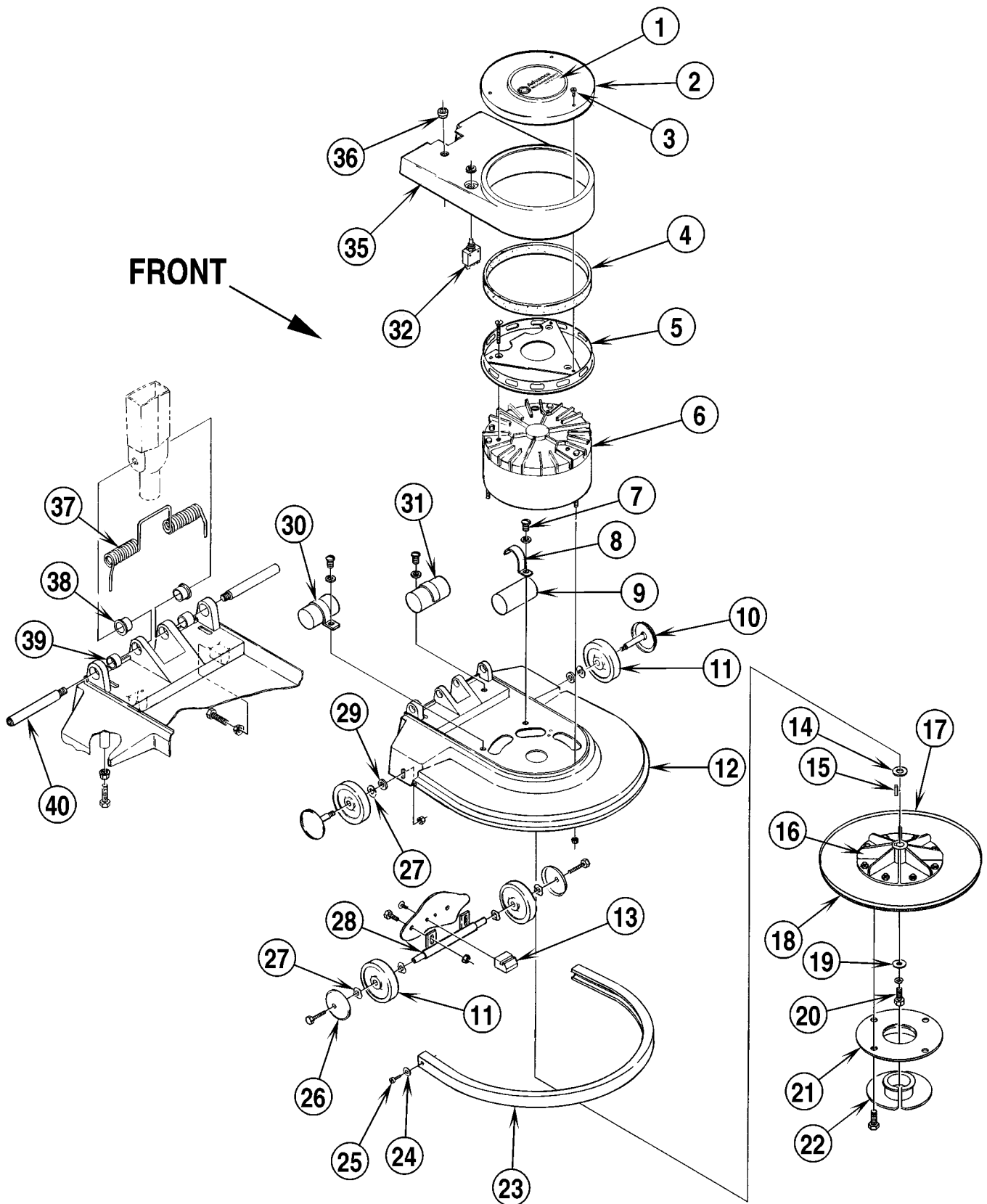
FORM NO. 56042164

BASE ASSEMBLY

4

Whirlamatic™ UHS17

02-7



BASE ASSEMBLY

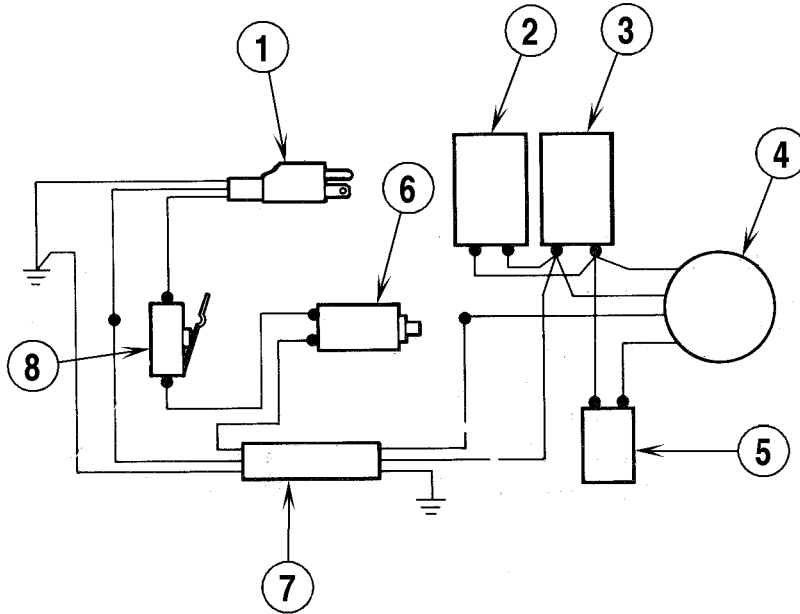
00-3

Whirlamatic™ UHS17**5**

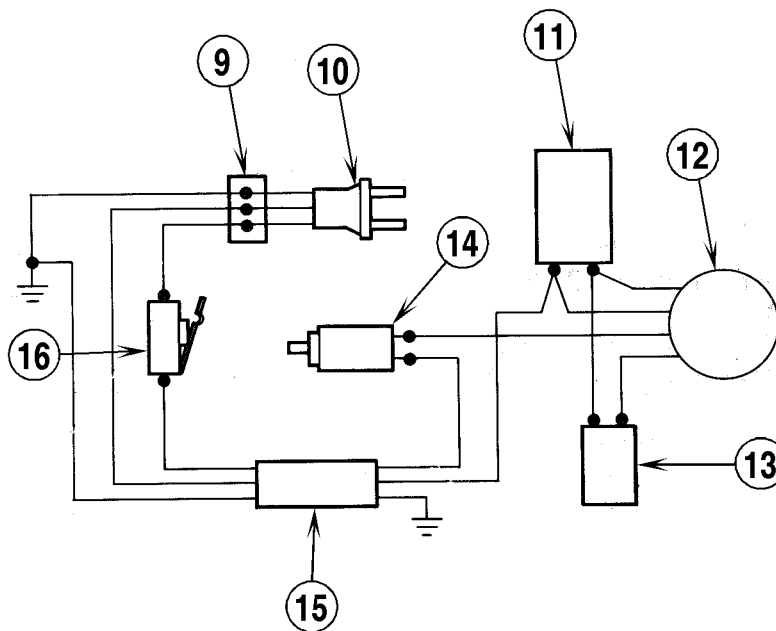
Item	Ref. No.	Qty	Description
1	56016496	1	Decal, Whirlamatic 17 UHS
2	56185438	1	Cover Shroud
3	56372929	3	Screw
4	56180032	1	Filter
5	56180008	1	Motor Bracket 115V
	56185430	1	Motor Bracket 230V
6	56185022	1	Motor 115V TSB 549, G-9 / TSB 631, G-1
	56185027	1	Motor 230V TSB617, G-5
7		3	#10-24 x 3/8 Screw
8	56185434	1	Clamp
9	56260070	1	Capacitor 115V 20 MFD
	56185427	1	Capacitor 230V 108-130 MFD
10	56183546	2	Axle TSB 404, G-12
11	56228102	4	Wheel, old style (3/8 I.D. x 4.00 O.D.) TSB 404, G-12
	56183552	4	Wheel, new style (7/16 I.D. x 4.00 O.D.) TSB 404, G-12
12	56183012	1	Skirt Housing
13	56183518	1	Handle Catch
14	56367192	1	Washer
15	56158135	1	Key
16	56388261	1	Hub
	56388524	1	Plate
17	56388525	1	Pad Holder Assembly
18	56388535	1	Bristle Pad
19	56180200	1	Washer
20	56180196	1	Screw
21	56182056	1	Base Plate
22	56182058	1	Retaining Ring
23	56183022	1	Bumper 115V
	56183544	1	Bumper 230V
24	56180092	2	Washer
25	56180087	2	Screw
26	56183548	2	Wheel Cover
27	56163767	6	Spring Washer
28	56183528	1	Axle TSB 404, G-12
29	56152781	2	Washer
30	56168440	1	Capacitor 115V 60 MFD
31	56185418	1	Capacitor 230V 30 MFD
	56180030	1	Clamp
32	56454538	1	Circuit Breaker 115V
	56387316	1	Circuit Breaker 230V
33			Intentionally Omitted
34			Intentionally Omitted
35	56183001	1	Motor Shroud TSB 549, G-9(115V) / TSB617, G-5 (230V)
36	56185504	1	Strain Relief
37	56183021	1	Torsion Spring 115V
	56183521	1	Torsion Spring 230V
38	56171095	2	Flange Bearing
39	56367168	2	Sleeve Bearing
40	56183522	2	Pivot Pin
*	56388750	1	Burnishing Brush

* = Not Shown

115V



230V



WIRING DIAGRAMS

00-3

Whirlamatic™ UHS17**7**

Item	Ref. No.	Qty	Description
			115V WIRING DIAGRAM
	56015503	1	Decal, Wiring 115V
1	56524069	1	Cord Set 115V
2	56260070	1	Capacitor
3	56168440	1	Capacitor
4	56185022	1	Motor
5	56185446	1	Capacitor
6	56454538	1	Circuit Breaker
7	56183003	1	Cord Assy.
8	56388019	1	Switch
			230V WIRING DIAGRAM
	56015505	1	Decal, Wiring 230V
9	56183523	1	Terminal Block
10	56183529	1	Cord Set
11	56185418	1	Capacitor
12	56185027	1	Motor
13	56185427	1	Capacitor
14	56183519	1	Cord Assy.
15	56387316	1	Circuit Breaker
16	56385615	1	Switch



Nilfisk-Advance, Inc.
14600 21st Avenue North
Plymouth, MN, 55447-3408
www.nilfisk-advance.com
Phone: 800-989-2235
Fax: 800-989-6566
©2000 Nilfisk-Advance, Inc.,
Plymouth, MN 55447-3408
Printed in the U.S.A.