

# All-Purpose Matador™ 17/20



## **PARTS LIST**

**Advance MODELS 56172500(17/115V)**

**56172510(17/100V), 56172600(20/115V) 56172505(17/230V/OBS)**

**56172605(20/230V/OBS)**



**Advance**  
*by Nilfisk-Advance*

revised 5/01 FORM NO. 56042113

**TABLE OF CONTENTS**

00-2

**All-Purpose Matador™ 17 / 20**

**1**

<b>DESCRIPTION</b>	<b>PAGE</b>
HANDLE ASSEMBLY-FRONT VIEW .....	2-3
HANDLE ASSEMBLY-REAR VIEW .....	4-5
BASE ASSEMBLY .....	6-7
TANK ASSEMBLY .....	8-9
SHAMPOO BRUSH AND PAD HOLDERS .....	10-11
WIRING DIAGRAMS .....	12-13

**WHEN ORDERING PARTS**

- \* Use the 8 digit numbers from the "Ref. No." columns in this parts list.
- \* Specify the model and serial number of the machine.
- \* Use the space below to record the model and serial number for future reference.

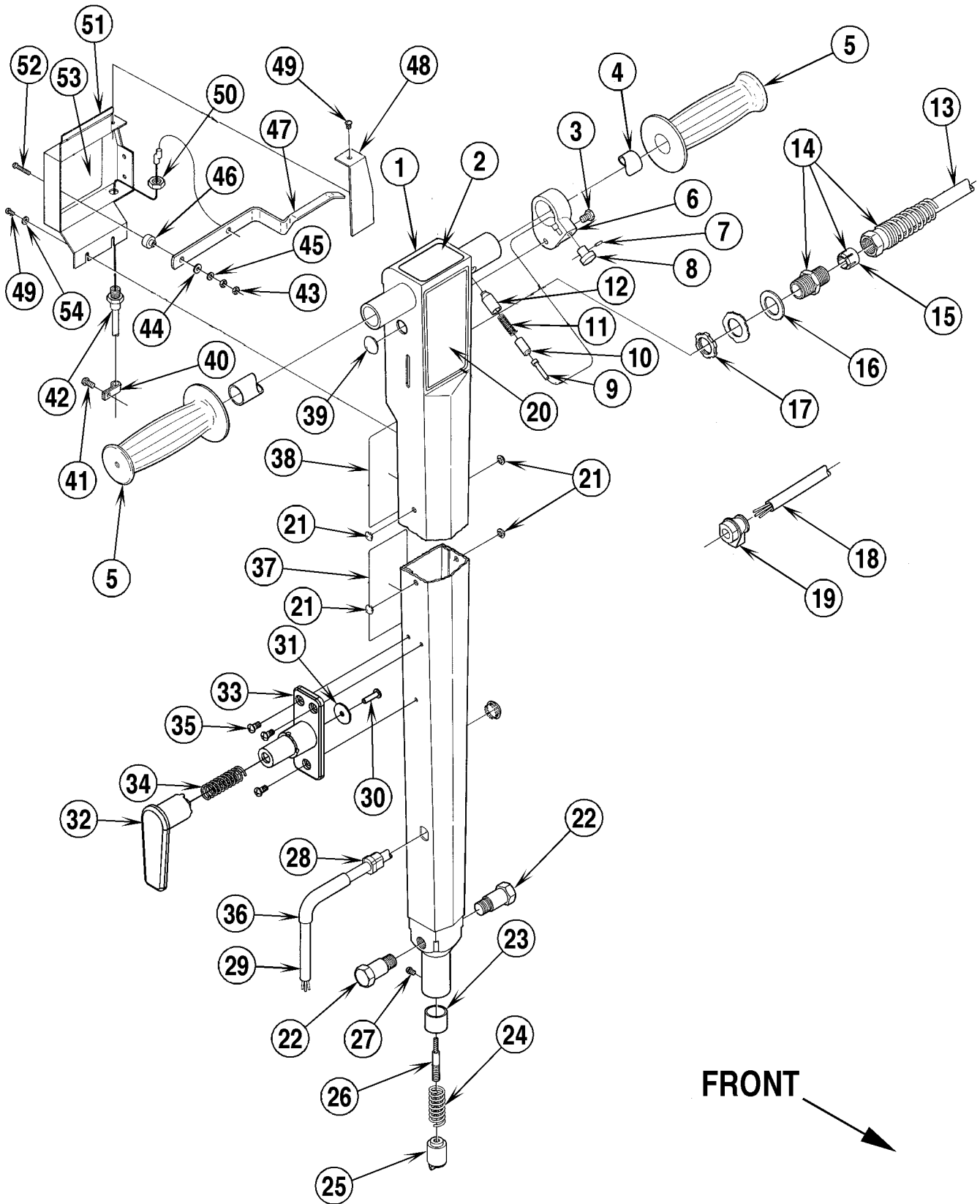
Model \_\_\_\_\_ Serial No. \_\_\_\_\_

# HANDLE ASSEMBLY-FRONT VIEW

2

All-Purpose Matador™ 17 / 20

00-2



# HANDLE ASSEMBLY-FRONT VIEW

01-2

## All-Purpose Matador™ 17 / 20

3

Item	Ref. No.	Qty	Description	Item	Ref. No.	Qty	Description
	56172322	1	Handle Assembly 100V	28	56382817	1	Strain Relief 100V, 115V
	56172300	1	Handle Assembly 115V		56163015	1	Strain Relief 230V
	56172301	1	Handle Assembly 230V	29	56171128	1	Cord Set 100V, 115V
1	56172274	1	Handle 100V, 115V		56172331	1	Cord Set 230V
	56172332	1	Handle 230V		56171112	1	Cord Hook Assembly (#30-34)
2	56017024	1	Decal, Warning, Japanese 100V	30	56009005	1	Scr, Pan Phil SS Type B 10-24 x .75
	56014924	1	Decal, Warning 115V	31	56009096	1	Wsh Flt .193 x .875 x .060
3	56001854	1	1/4-20 x 1/2 Screw	32	56171110	1	Arm
*	56001827	1	1/4-20 Whiz Nut	33	56171111	1	Base
4	56172198	1	Handle Tube (silver)115V,230V	34	56380732	1	Spring
			<b>Before Serial # 279789</b>	35	56009030	3	Scr, Pan Phil Thd Form 10-24 x .38
	56171343	1	Handle Tube (yellow) 100V,115V	36	56300602	1	Tube
			<b>After Serial # 279788</b>	37	56014204	1	Decal, Caution 230V
	56183498	1	Handle Tube (yellow) 230V	38	56017014	1	Decal, Warning, Japanese 100V
			<b>After Serial # 279788</b>		56014828	1	Decal, Warning 115V
5	56388545	2	Hand Grip 100V, 115V		56014033	1	Decal, Caution 230V
	56900248	2	Hand Grip 230V	39	56322231	2	Button Plug 230V
	56172321	1	Collar Assembly (#6-9)	40	56172139	3	P-Clip
6	56172275	1	Collar	41	56002549	3	#10-32 x 3/8 HP-5 Screw
7	56003129	1	Spring Pin		56172314	1	Lever Assembly 100V, 115V
8	56201405	1	Knob				<b>(#42-52)</b>
9	56172217	1	Pin		56172334	1	Lever Assembly 230V (#42-52)
10	56171279	1	Plunger	42	56172128	1	Cable
11	56201448	1	Spring 100V, 115V	43	56002061	2	#6-32 Nut
	56578222	1	Spring 230V	44	56002006	1	#6 Flat Washer
12	56171281	1	Bushing	45	56001839	1	#6 Lock Washer
13	56180116	1	Cord Set 100V	46	56172130	1	Bushing
	56524069	1	Cord Set 115V	47	56172126	1	Lever
14	56109630	1	Strain Relief 100V, 115V	48	56172293	1	Cover
15	56109632	1	Brass Insert For 56109630	49	56002534	5	#8-32 x 1/4 HP-5 Screw
16	56171093	1	Washer 100V, 115V	50	56001976	1	1/4-20 Nut
17	56171094	1	Nut 100V, 115V	51	56172290	1	Cover 100V, 115V
18	56183587	1	Cord Set 230V		56172336	1	Cover 230V
19	56183586	1	Strain Relief 230V	52	56002002	1	#6-32 x 3/4 Screw
20	56016439	1	Decal, Handle	53	56014326	1	Decal, Important
21	56153699	4	Button Plug	54	56002140	2	#8 Flat Washer
22	56171336	2	Pivot Bolt				
23	56171269	1	Bushing				* = Not Shown
24	56171361	1	Spring				
25	56171132	1	Plunger				
26	56171373	1	Cable				
27	56001851	1	#4 x 40 x 1/4 Screw				

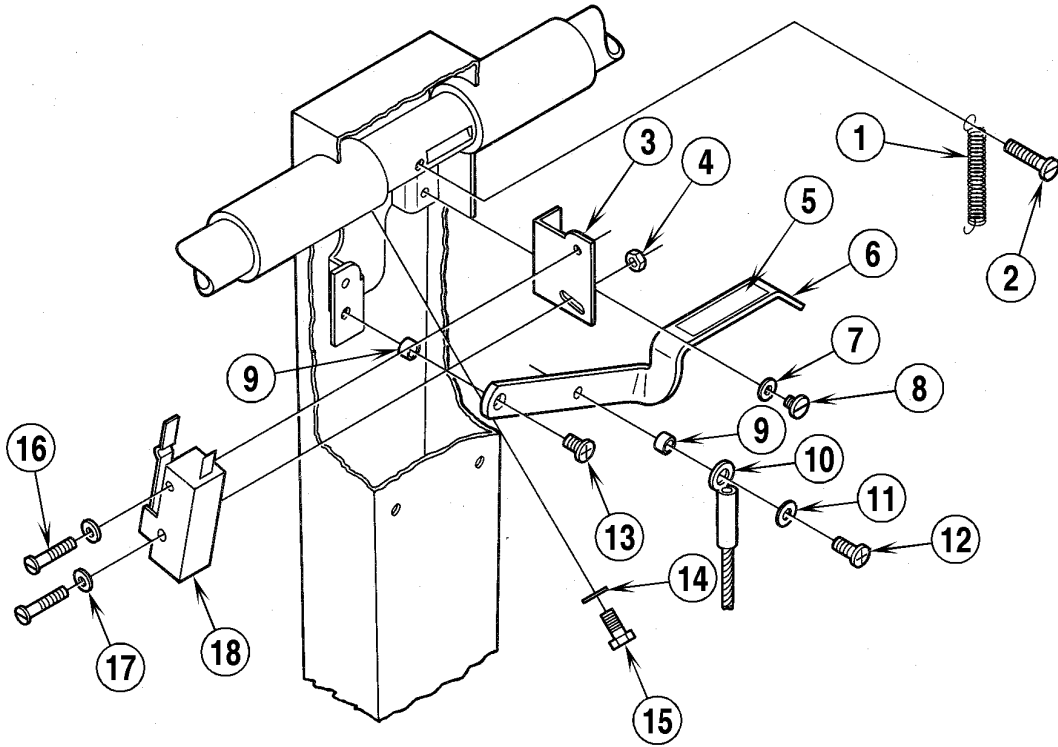
**HANDLE ASSEMBLY-REAR VIEW**

4

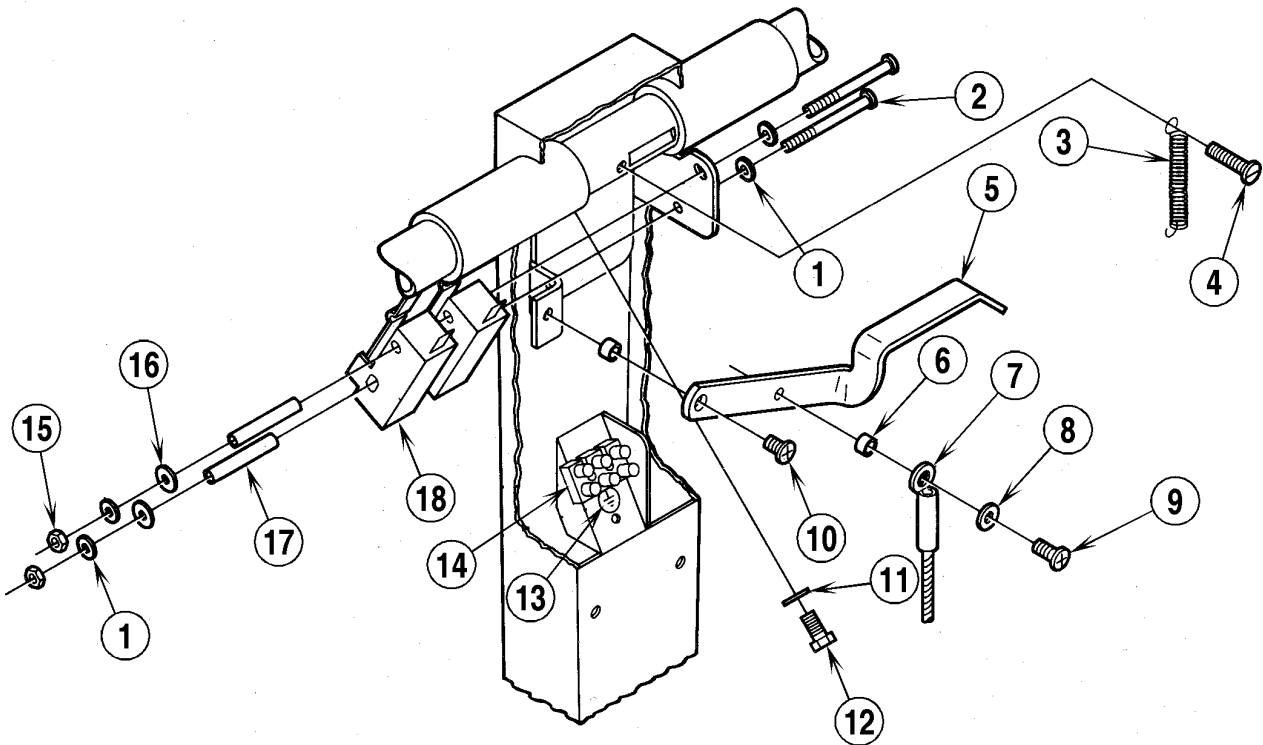
**All-Purpose Matador™ 17 / 20**

00-2

**100Volt / 120Volt**



**230Volt**



**HANDLE ASSEMBLY-REAR VIEW**

01-2

**All-Purpose Matador™ 17 / 20****5**

Item	Ref. No.	Qty	Description
			<b>100V / 115V</b>
1	56445177	1	Spring
2	56002591	1	#8-32 x 7/8 HP-5 Screw
3	56171209	1	Bracket
4	56001986	1	#4-40 Nut
5	56014856	1	Decal, Handle
6	56171126	1	Lever
7	56001940	2	#8 Shakeproof Washer
8	56002534	2	#8-32 x 1/4 HP-5 Screw
9	56151092	2	Spacer
10	56171373	1	Cable
11	56009125	1	Washer
12	56002508	1	#10-24 x 1/2 HP-5 Screw
13	56002518	1	#10-24 x 3/8 HP-5 Screw
14	56001905	1	5/16 Shakeproof Washer
15	56234079	1	1/4-20 x 1/2 Screw
16	56002183	2	#4-40 x 7/8 Screw
17	56001952	2	#4 Shakeproof Washer
18	56388019	1	Switch, N.C. <b>Before Serial # 279789 (Date Code F88)</b>
	56385615	1	Switch, N.O. <b>After Serial # 279788 (Date Code F88)</b>
*	56321737	1	Wire Nut
*	56478246	1	Cable Tie

\* = Not Shown

Item	Ref. No.	Qty	Description
			<b>230V</b>
1	56001952	4	#4 Shakeproof Washer
2	56002722	2	#4-40 x 1 3/4 Screw
3	56445177	1	Spring
4	56002591	1	#8-32 x 7/8 HP-5 Screw
5	56171126	1	Lever
6	56151092	2	Spacer
7	56171373	1	Cable
8	56009125	1	Washer
9	56002508	1	#10-24 x 1/2 HP-5 Screw
10	56002518	1	#10-24 x 3/8 HP-5 Screw
11	56001905	1	5/16 Shakeproof Washer
12	56234079	1	1/4-20 x 1/2 Screw
13	56014119	1	Decal, Ground Symbol
14	56183523	1	Terminal Block
*	56002712	2	#4-40 x 5/8 HP-5 Screw
15	56001986	2	#4-40 Nut
16	56200190	2	Fiber Washer
17	56183589	2	Sleeve
18	56388019	2	Switch, N.C. <b>Before Serial # 279789 (Date Code F88)</b>
	56385615	2	Switch, N.O. <b>After Serial # 279788 (Date Code F88)</b>
*	56325219	3	Cable Tie
*	56478246	1	Cable Tie

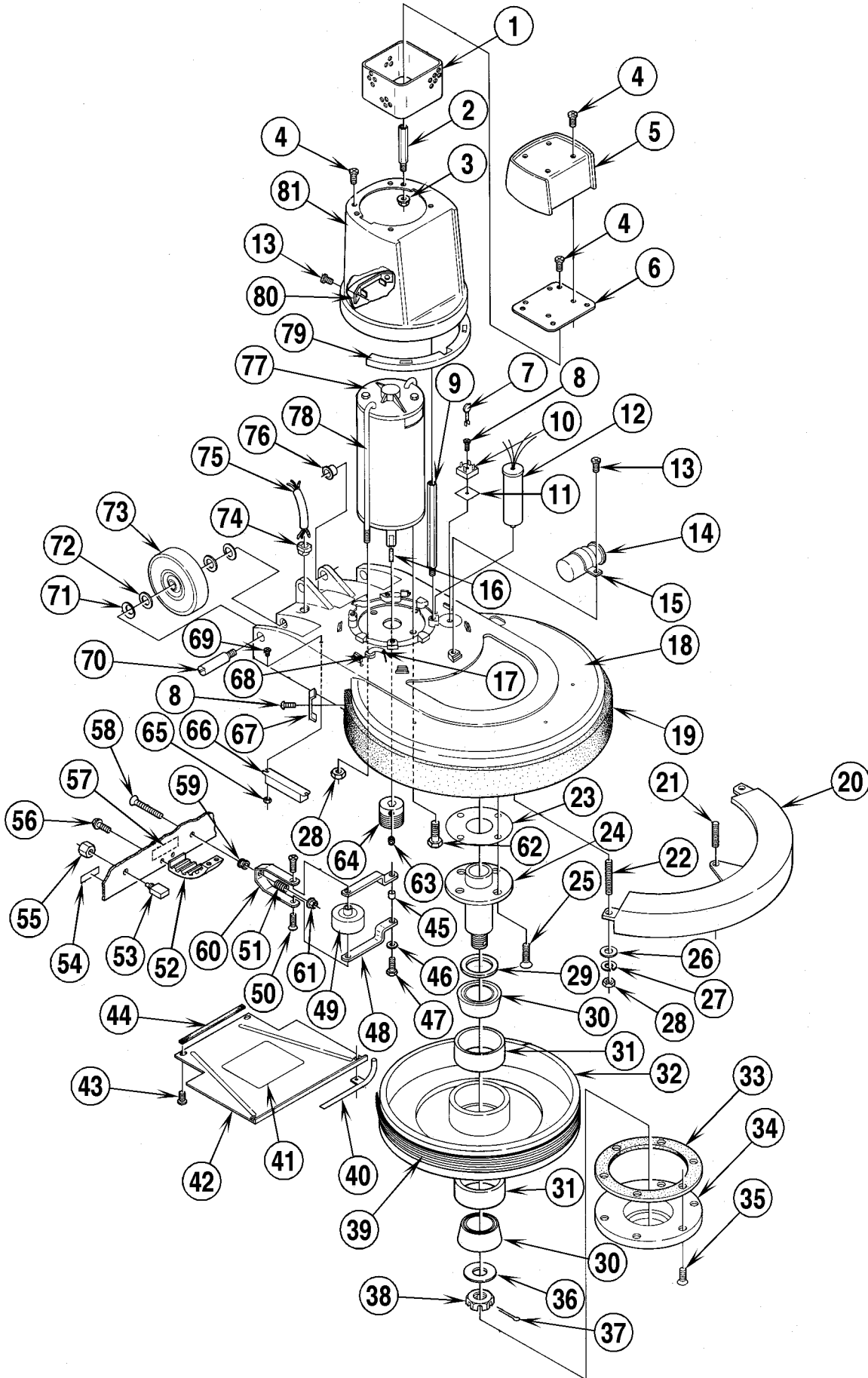
\* = Not Shown

BASE ASSEMBLY

6

All-Purpose Matador™ 17 / 20

00-2



**BASE ASSEMBLY**

00-2

**All-Purpose Matador™ 17 / 20**

**7**

Item	Ref. No.	Qty	Description	Item	Ref. No.	Qty	Description
1	56171590	1	Guard	41	56014843	1	Decal, Instructions 115V
2	56171559	4	Spacer		56014936	1	Decal, Wiring 100V
3	56002768	2	#10-24 Nyl Loc Nut	42	56171092	1	Panel 17"
4	56002043	10	#10-24 x 3/8 Screw		56171121	1	Panel 20"
5	56172526	1	Shroud Cover	43	56002523	4	#8-32 x 3/8 HP-5 Screw
6	56171512	1	Bracket	44	56320099	2'	Gasket (51.4 cm)
7	56387554	1	Varistor	45	56368989	1	Bushing
8	56002510	3	#10-24 x 5/8 HP-5 Screw	46	56002098	1	1/4 Flat Washer
9	56171526	4	Spacer	47	56002514	1	1/4-20 x 3/4 HP-5 Screw
10	56180163	1	Rectifier	48	56171039	2	Idler Bracket 17"
11	56180164	1	Q-Pad		56171176	2	Idler Bracket 20"
12	56171743	1	RFI Filter 230V	49	56171734	1	Idler
13	56002518	3	#10-24 x 3/8 HP-5 Screw	50	56002153	2	#10-24 x 3/8 Flat Hd Screw
14	56171552	1	Capacitor 100V, 115V	51	56171177	1	Spring
	56171510	1	Capacitor 230V	52	56171104	1	Ratchet
15	56171531	1	Clamp	53	56454538	1	15A Circuit Breaker 100V, 115V
16	56443719	1	Key		56387316	1	10A Circuit Breaker 230V
17	56170935	1	Cord 100V, 115V	54	56014873	1	Decal, Circuit Breaker
	56171038	1	Cord 230V	55	56171541	1	Nut
18	56172306	1	Skirt Housing 17" (#24,25,52,56)	56	56002517	4	1/4-20 x 3/4 HP-5 Pan Hd Screw
	56172282	1	Skirt Housing Only 17"	57	56015324	1	Nameplate 100V, 115V
	56172307	1	Skirt Housing 20" (#24,25,52,56)		56015401	1	Nameplate 230V
	56172281	1	Skirt Housing Only 20"	58	56002603	1	1/4-20 x 3 Screw
19	56514070	1	Bumper 17"	59	56206849	1	Bearing
	56514065	1	Bumper 20"	60	56171174	1	Bracket
20	56171422	1	Weight 17"	61	56002708	1	1/4-20 Nyl Loc Nut
	56171047	1	Weight 20"	62	56002667	2	5/16-18 x 3/4 Bolt
21	56171263	1	Stud 17"	63	56001826	2	5/16-18 x 1/2 Set Screw
22	56171221	2	Stud	64	56171414	1	Sheave 17"
23	56171366	1	Shim 17"		56171088	1	Sheave 20"
24	56171056	1	Stud Shaft	65	56002808	2	#8-32 Nyl Loc Nut 230V
25	56002521	4	1/4-20 x 3/4 HP-5 Flat Hd Screw	66	56172260	1	Resistor 230V
26	56001939	3	5/16 Flat Washer (2 on 20")	67	56171108	2	Bumper Clamp
27	56001905	3	5/16 Skprf Washer (2 on 20")	68	56382817	1	Strain Relief
28	56002701	5	5/16-18 Nyl Loc Nut (4 on 20")	69	56387672	2	Screw 230V
29	56171078	1	Seal	70	56520845	2	Axle
30	56378267	2	Bearing	71	56155373	2	Bowed Washer
31	56378259	2	Bearing Race	72	56155411	2	Flat Washer
32	56171376	1	Pulley W/Races	73	56161691	2	Wheel
	56171090	1	Pulley W/O Races	74	56382818	1	Strain Relief
33	56158275	1	Gasket	75	56171129	1	Cord Set 100V, 115V
34	56163430	1	Drive Cap (Silver/NP-47)		56172331	1	Cord Set 230V
	56163431	1	Drive Cap (Gold/NP-92)	76	56171095	2	Bearing
35	56001849	6	#12-24 x 5/8 Screw	77	56171594	1	Motor 100V, 115V 1.5 hp
36	56163449	1	Washer		56171556	1	Motor 230V 1.5 hp
37	56002038	1	Cotter Pin		56171472	1	Carbon Brush Set 100V, 115V
38	56158313	1	Castle Nut		56171473	1	Carbon Brush Set 230V
39	56171200	1	Belt		56171557	1	End Bell (W/Brushes) 100V, 115V
40	56171640	1	Tube	78	56171530	2	J-Bolt
				79	56172525	1	Gasket
				80	56171786	1	Bracket 115V, 230V
				81	56172287	1	Motor Shroud

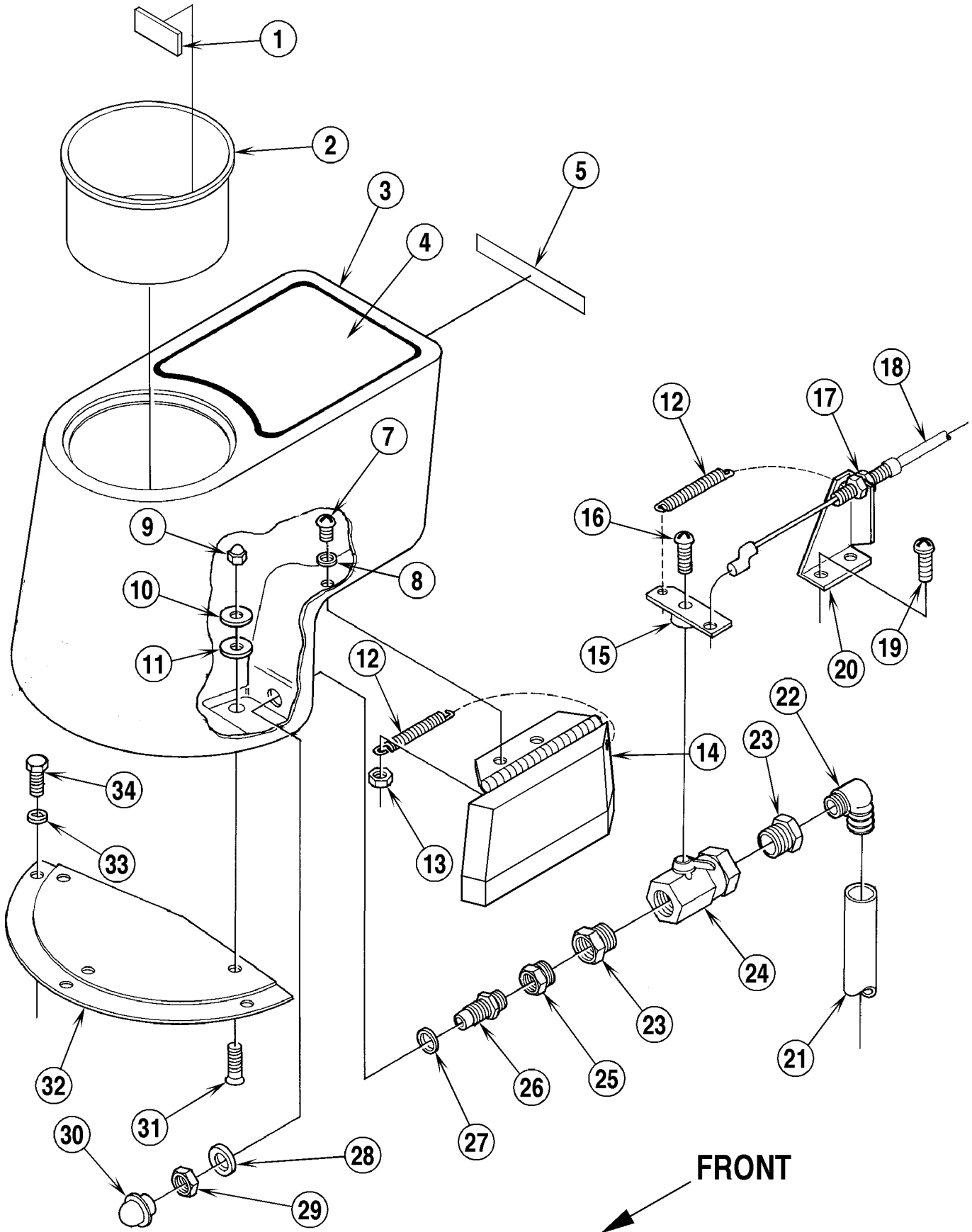


TANK ASSEMBLY

8

All-Purpose Matador™ 17 / 20

00-2



**TANK ASSEMBLY**

01-3

**All-Purpose Matador™ 17 / 20****9**

Item	Ref. No.	Qty	Description
	56172304	1	Tank Assembly, US (#1-16,22-32,35-36)
	56172345	1	Tank Assembly, Japan (#1-16,22-32,35-36)
1	56014919	1	Decal, Fill Line 100V, 115V
2	56172288	1	Cylinder Cover
3	56172289	1	Tank
4	56016461	1	Decal, All-Purpose 17
	56016463	1	Decal, All-Purpose 20
5	56014914	1	Decal, Caution, US
	56017092	1	Decal, Caution, Japan
6			<b>Intentionally Omitted</b>
7	56001913	2	1/4-20 x 7/8 Brass Screw
8	56900737	2	Sealing Washer
9	56172066	3	Acorn Nut
10	56159387	3	Brass Washer
11	56154776	3	Rubber Washer
12	56328790	2	Spring
13	56001827	2	1/4-20 Whiz Nut
14	56172291	1	Cover
15	56172166	1	Lever
16	56002018	1	#10-24 x 5/8 Screw
17	56001976	1	1/4-20 Nut
18	56172128	1	Cable
19	56002508	2	#10-24 x 1/2 HP-5 Screw
20	56172292	1	Bracket
21	56172176	1	Hose
22	56753691	1	Barb
23	56751686	2	Reducer
24	56387762	1	Valve
25	56750363	1	Bushing
26	56172075	1	Nipple
27	56742552	1	O-Ring
28	56009218	1	Brass Washer
29	56745860	1	Jam Nut
30	56172096	1	Strainer
31	56002081	3	1/4-20 x 7/8 Flat Head Screw
32	56172286	1	Plate
33	56002053	3	#10 Flat Washer
34	56002829	3	#10-24 x 5/8 Screw

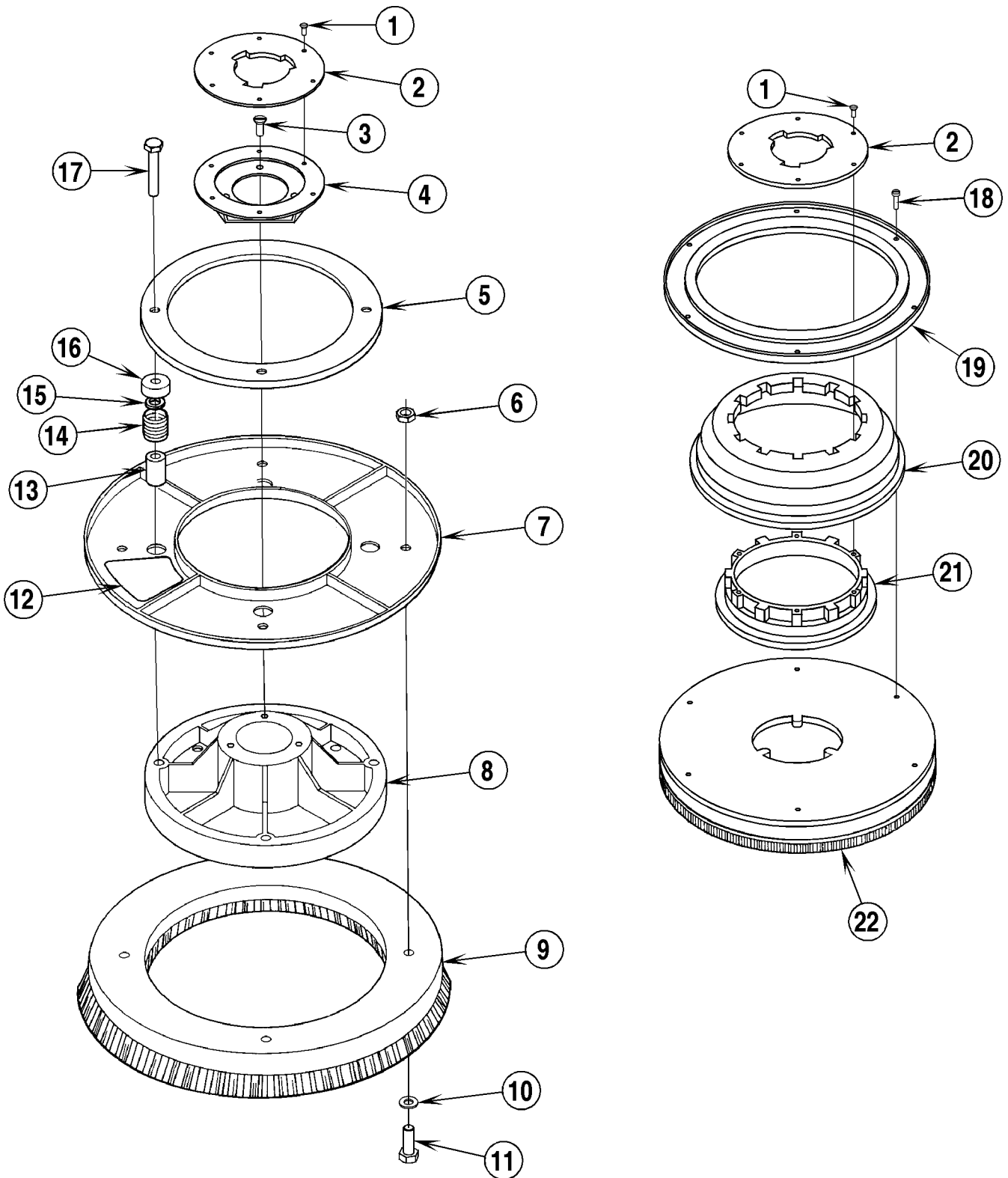
\* = Not Shown

# SHAMPOO BRUSH AND PAD HOLDERS

10

All-Purpose Matador™ 17 / 20

00-2



# SHAMPOO BRUSH AND PAD HOLDERS

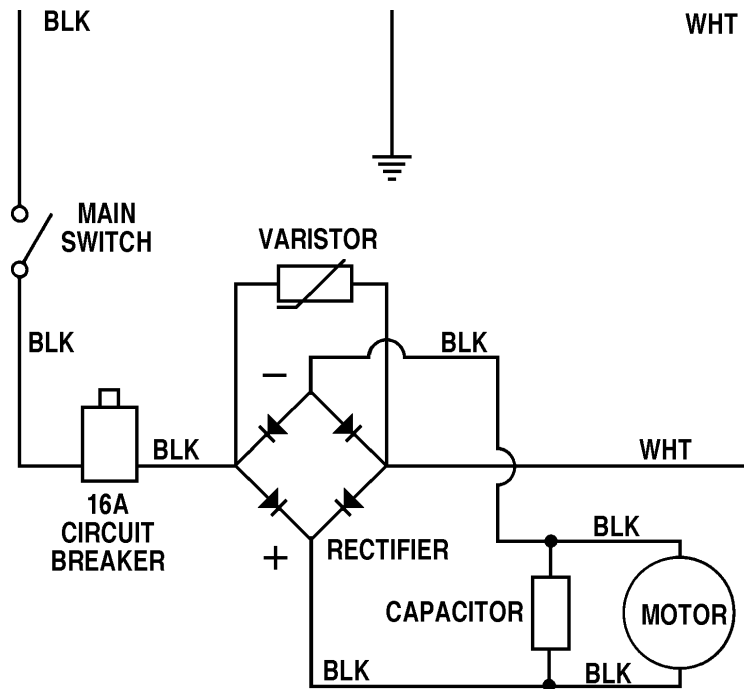
00-2

## All-Purpose Matador™ 17 / 20

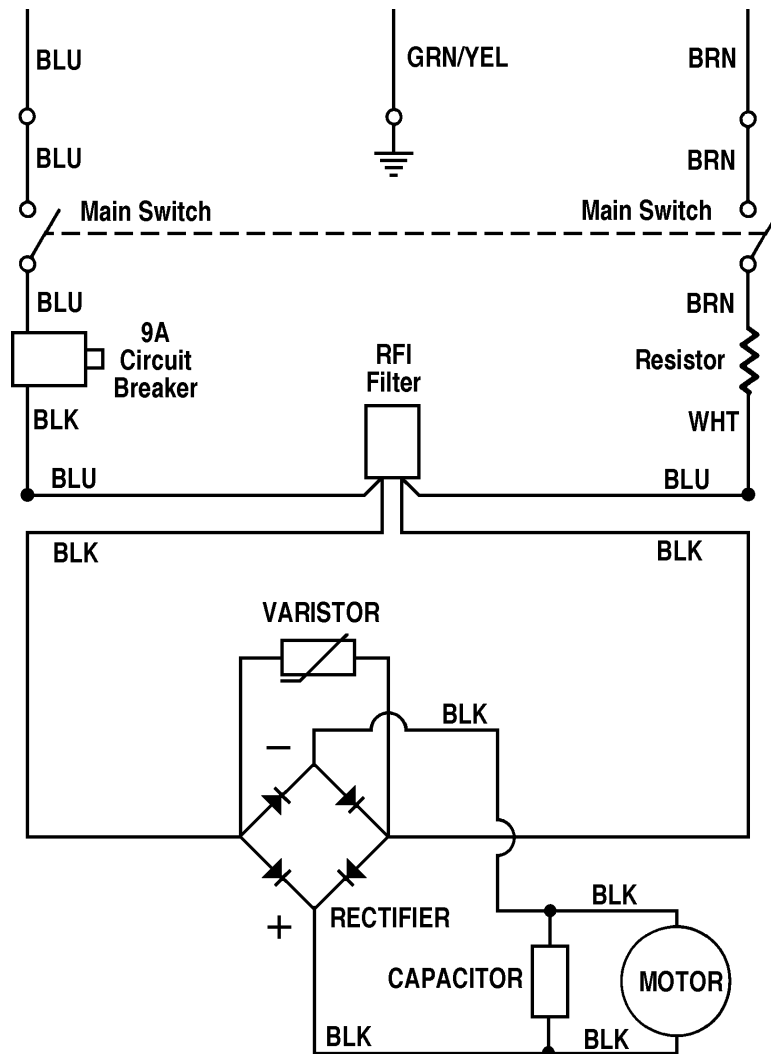
**11**

Item	Ref. No.	Qty	Description	Ref. No.	Qty	Description
	56505537	1	Soft-Touch™ Shampoo Brush Assy, 17" <b>(NP-47 / #1-17, except 15)</b>	<b>17" Brushes For Silver NP-47 Drive Cap</b>		
	56505539	1	Soft-Touch™ Shampoo Brush Assy, 17" <b>(NP-92 / #1-17, except 15)</b>	56505055	1	Magna Grit™ 46 Brush
	56505538	1	Soft-Touch™ Shampoo Brush Assy, 20" <b>(NP-47 / #1-17)</b>	56505054	1	Dyna Grit™ 80 Brush
	56505540	1	Soft-Touch™ Shampoo Brush Assy, 20" <b>(NP-92 / #1-17)</b>	56505078	1	MidLite Grit™ 180 Brush
				56505082	1	MidGrit™ 240 Brush
				56505059	1	AgLite™ 500 Brush
				56505331	1	Prolene Brush
				56505076	1	ProLite™ Brush
1	56009065	6	Scr, Flt Phil Thd Form 10-24 x .50	56505334	1	Union Mix Brush
2	56506001	1	Clutch Plate <b>(Silver/NP-47)</b>	56505330	1	Short-Trim Pad Holder <b>(standard)</b>
	56506006	1	Clutch Plate <b>(Plastic/NP-92)</b>	<b>17" Brushes For Gold NP-92 Drive Cap</b>		
3	56002694	3	Scr, SS Thd Form 1/4-14 x 1.00	56505911	1	Magna Grit™ 46 Brush
4	56505536	1	Adapter	56505912	1	Dyna Grit™ 80 Brush
5	56171322	1	Ring	56505918	1	MidLite Grit™ 180 Brush
6	56002856	4	Nut, Hex Nyl Loc SS 5/16-18	56505917	1	MidGrit™ 240 Brush
7	56171418	1	Plate, 17"	56505913	1	AgLite™ 500 Brush
	56171304	1	Plate, 20"	56505914	1	Prolene Brush
8	56505543	1	Drive Disc	56505915	1	ProLite™ Brush
9	56505530	1	Brush, 17"	56505916	1	Union Mix Brush
	56505531	1	Brush, 20"	56505910	1	Short-Trim Pad Holder
10	56002938	4	Wsh, Flt SS 5/16	<b>20" Brushes For Silver NP-47 Drive Cap</b>		
11	56002913	4	Scr, Hex Hd SS 5/16-18 x 1.00	56505058	1	Magna Grit™ 46 Brush
12	56014960	1	Decal, Caution, 17"	56505048	1	Dyna Grit™ 80 Brush
	56014922	1	Decal, Caution, 20"	56505079	1	MidLite Grit™ 180 Brush
13	56171316	4	Bushing	56505083	1	MidGrit™ 240 Brush
14	56171314	4	Spring	56505063	1	AgLite™ 500 Brush
15	56171332	4	Spacer, 20"	56505450	1	Prolene Brush
16	56171320	4	Spacer	56505077	1	ProLite™ Brush
17	56171328	4	Scr, #14 x 2.50	56505454	1	Union Mix Brush
				56505455	1	Short-Trim Pad Holder <b>(standard)</b>
	56505180	1	Level-Set Pad Holder, 17" <b>(NP-47 / #1, 2, 18-22)</b>	<b>20" Brushes For Gold NP-92 Drive Cap</b>		
	56505270	1	Level-Set Pad Holder, 17" <b>(NP-92 / #1, 2, 18-22)</b>	56505921	1	Magna Grit™ 46 Brush
	56505183	1	Level-Set Pad Holder, 20" <b>(NP-47 / #1, 2, 18-22)</b>	56505922	1	Dyna Grit™ 80 Brush
	56505280	1	Level-Set Pad Holder, 20" <b>(NP-92 / #1, 2, 18-22)</b>	56505928	1	MidLite Grit™ 180 Brush
				56505927	1	MidGrit™ 240 Brush
				56505923	1	AgLite™ 500 Brush
				56505924	1	Prolene Brush
				56505925	1	ProLite™ Brush
18		6	Screw	56505926	1	Union Mix Brush
19	56505185	1	Outer Ring	56505920	1	Short-Trim Pad Holder
20	56505186	1	Mount, Rubber Shock			
21	56505182	1	Inner Ring	56182058	A/R	"Pad Grab" Pad Retainer <b>(snap in)</b>
22	56505181	1	Face, Level-Set Padholder, 17"			
	56505184	1	Face, Level-Set Padholder, 20"	56393567	A/R	"Big Mouth" Pad Retainer <b>(threaded)</b>

100V / 115V



230V



**WIRING DIAGRAMS**

00-2

**All-Purpose Matador™ 17 / 20****13****Ref. No. Qty Description****100V / 115V WIRING DIAGRAM**

56171552	1	Capacitor
56454538	1	Circuit Breaker 15A
56388019	1	Main Switch, N.C. <b>Before Serial # 279789 (Date Code F88)</b>
56385615	1	Main Switch, N.O. <b>After Serial # 279788 (Date Code F88)</b>
56171594	1	Motor 1.5 hp
56171472	1	Carbon Brush Set for Motor
56171557	1	End Bell (W/Brushes) for Motor
56180163	1	Rectifier
56387554	1	Varistor

**Ref. No. Qty Description****230V WIRING DIAGRAM**

56171552	1	Capacitor
56387316	1	Circuit Breaker 10A
56388019	2	Main Switch, N.C. <b>Before Serial # 279789 (Date Code F88)</b>
56385615	2	Main Switch, N.O. <b>After Serial # 279788 (Date Code F88)</b>
56171556	1	Motor 1.5 hp
56171473	1	Carbon Brush Set for Motor
56180163	1	Rectifier
56172260	1	Resistor
56171743	1	RFI Filter
56183523	1	Terminal Block
56387554	1	Varistor



Nilfisk-Advance, Inc.  
14600 21st Avenue North  
Plymouth, MN, 55447-3408  
[www.nilfisk-advance.com](http://www.nilfisk-advance.com)  
Phone: 800-989-2235  
Fax: 800-989-6566  
©2002 Nilfisk-Advance, Inc.,  
Plymouth, MN 55447-3408  
Printed in the U.S.A.