

# BackVacuum™

Parts list for models:

BackVacuum STANDARD	-	110-120V:	100901
BackVacuum HEPA	-	110-120V:	100902



# NILFISK

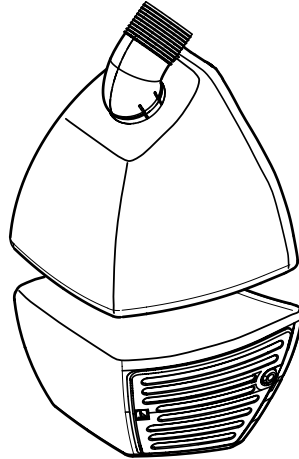
Made for ADVANCE

11/98 FORM NUMBER 042344

**TABLE OF CONTENTS SERVICE KIT**

**BackVacuum, double insulated**

**1**



<b>DESCRIPTION</b>	<b>PLAN</b>
Motors, internal wires and cords	B - 1.9.3 - 2
Container upper parts	B - 1.9.3 - 4
Container lower parts	B - 1.9.3 - 6
Electric unit	B - 1.9.3 - 8
Motorfilter and exhaust filter (Standard and HEPA)	B - 1.9.3 - 10
Nozzles	B - 1.9.3 - 12
Tubes, hose and dust bag	B - 1.9.3 - 14
Electrical diagrams	B - 1.9.3 - 19

**WHEN ORDERING PARTS**

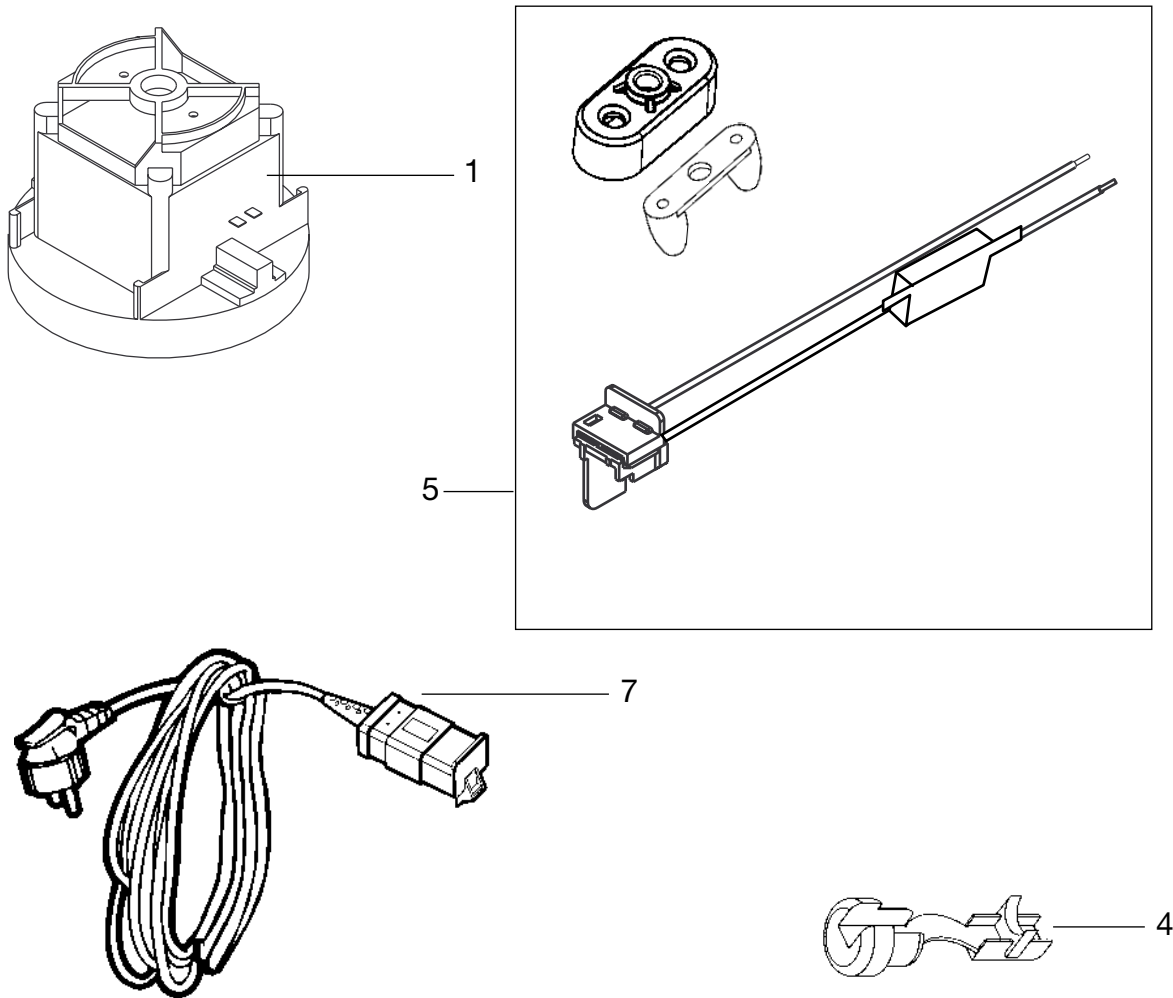
- \* Use the 6 digit numbers from the "Ref. No." columns in this parts list.
- \* Specify the model and serial number of the machine.
- \* Use the space below to record the model and serial number for future reference.

Model \_\_\_\_\_ Serial No. \_\_\_\_\_

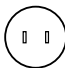
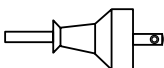
**MOTOR SERVICE KIT**

2

**MOTOR AND CORD TYPES, BackVacuum, double insulated**



**Fig. 1 Cord, ref. no. 100903**

	Voltage	Plug type	
USA/Japan	120		

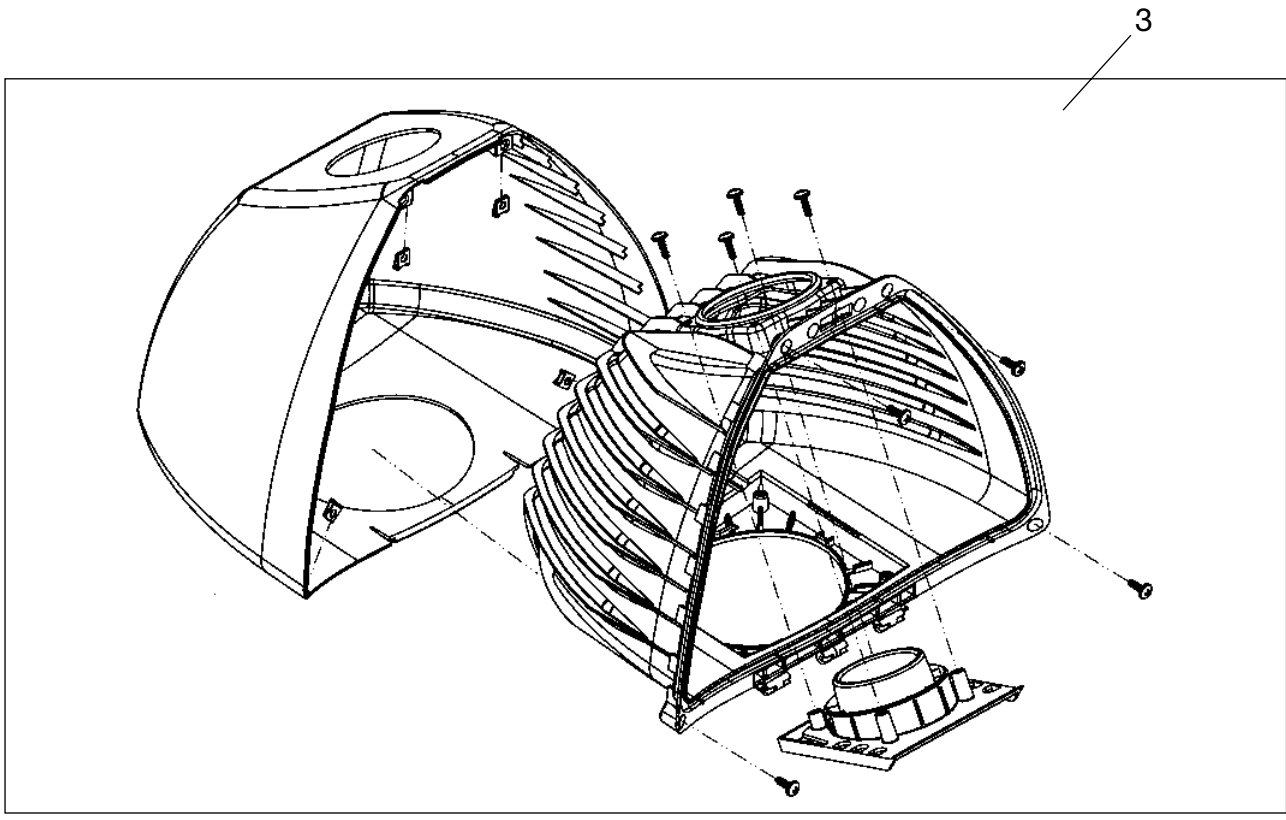
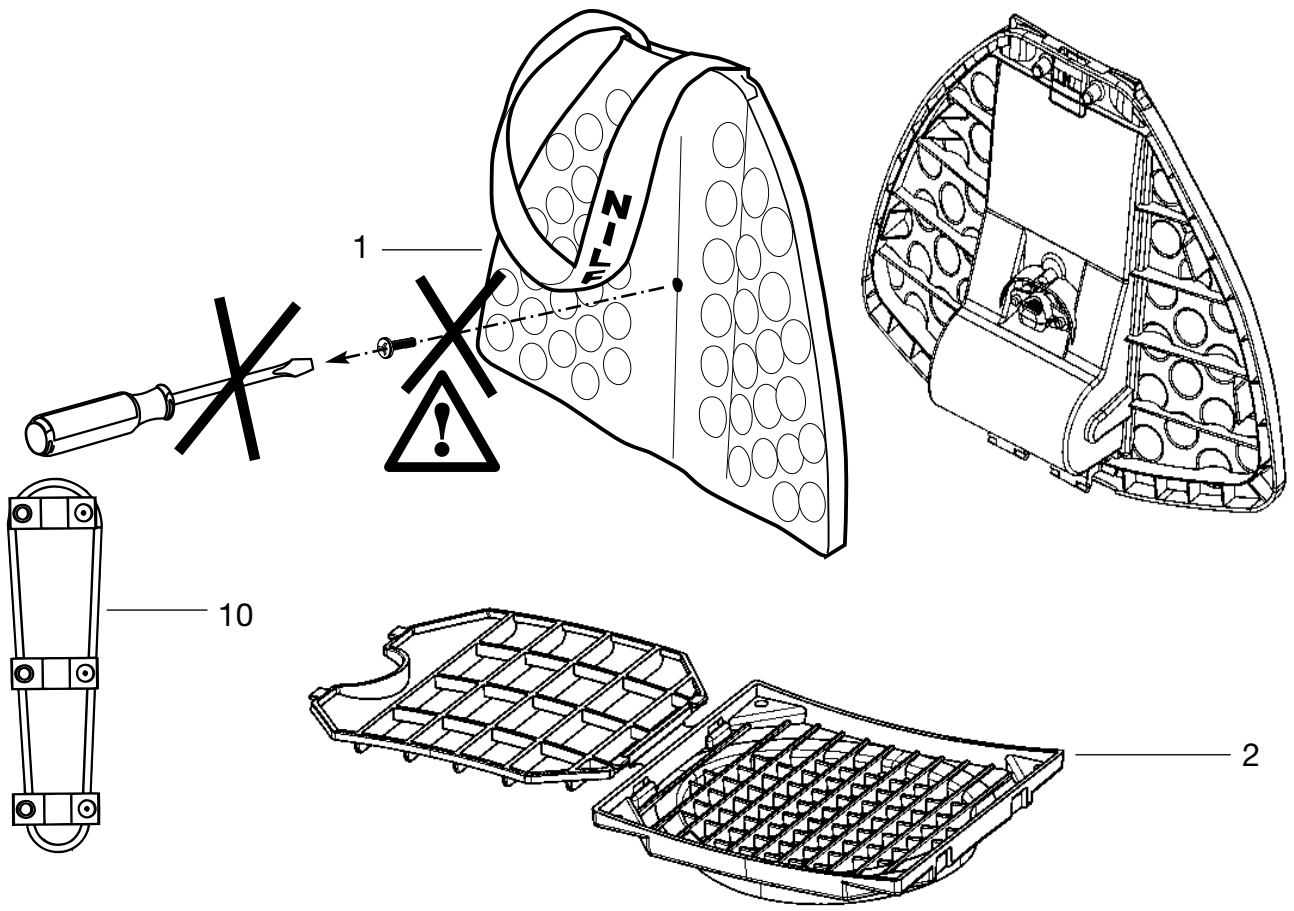
**MOTOR SERVICE KIT****MOTOR AND CORD TYPES, BackVacuum, double insulated****3**

Item	Ref. No.	Qty.	Description	Note	EAN code 5715492+
1			Motor/fan unit for:	Mat.: Plast and steel	
	100903	1	110-120 V, 50-60 Hz, 1000 W		+ 003020
	100903	1	100 V, 50-60 Hz, 850 W		+ 003020
5	100904	1	Internal wire kit with thermo switch and cable relief	Mat.: PVC and copper, PP	+ 006793
7			Cord with plug and socket.. length = 15 m	Mat.: PVC and copper  Colour: Grey, RAL 7001	
	100905	1	USA, Japan, Canada		+ 006861
4	100906	1	Strain relief bush		

**CONTAINERS SERVICE KIT**

**4**

**UPPER PART BackVacuum, double insulated**



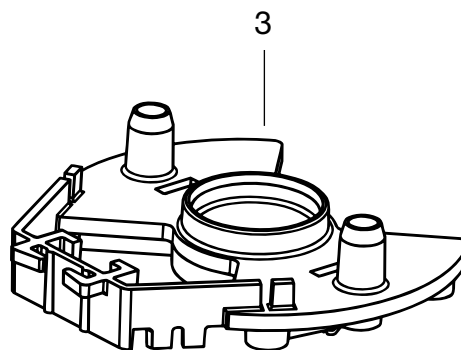
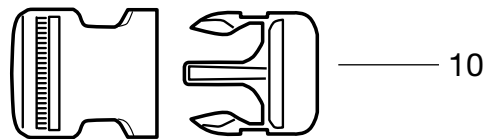
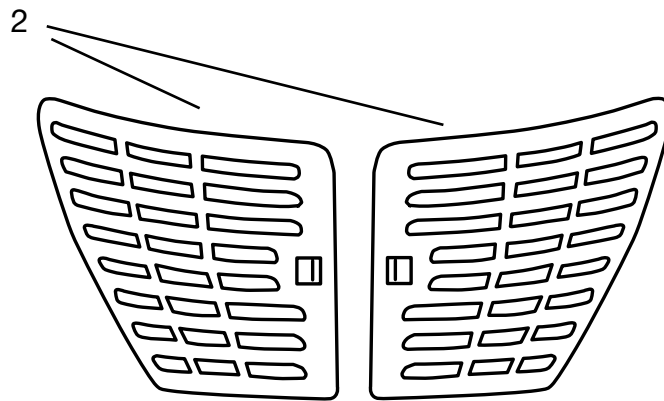
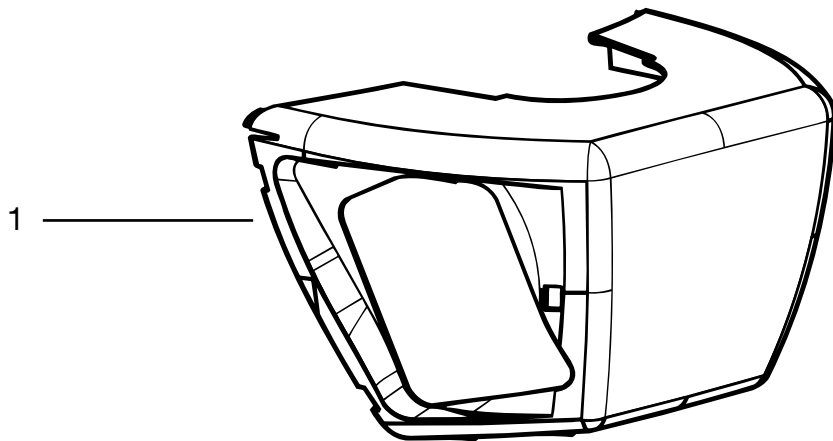
**CONTAINERS SERVICE KIT****UPPER PART BackVacuum, double insulated****5**

Item	Ref. No.	Qty.	Description	Note	EAN code 5715492+
1	100907	1	Dust chamber lid complete	Mat.: ABS grey RAL 7001	+ 006694
2	100908	1	Frame for main filter complete		+ 006755
3	100944	1	Dust chamber complete	Mat: ABS	+ 007806
10	100939	1	Shoulder pad, 2 pcs.		+ 007400

**CONTAINER SERVICE KIT**

**6**

**LOWER PART BackVacuum, double insulated**



**CONTAINER SERVICE KIT****LOWER PART BackVacuum, double insulated****7**

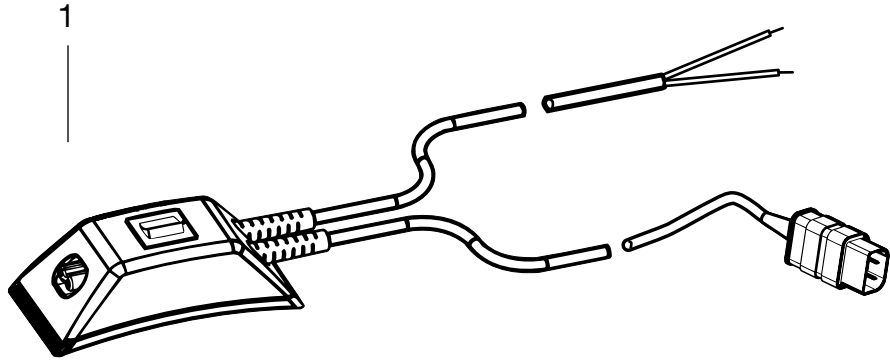
Item	Ref. No.	Qty.	Description	Note	EAN code 5715492+
1	100909	1	Motor housing cover	Mat.: ABS Colour: Grey, RAL 7001	+ 006809
2	100910	1	Grid, one left and one right	Mat.: ABS Colour: Grey, RAL 7001	+ 006700
3	100911	1	Motor suspension	Mat.:	+006748
10	100912	1	Buckles male/female complete	Mat: PP Colour: Black	+ 006786



**ELECTRIC SWITCH SERVICE KIT**

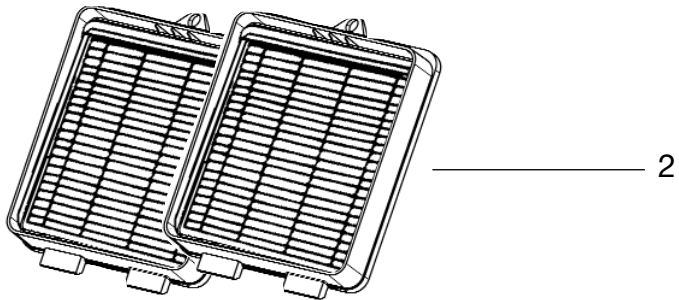
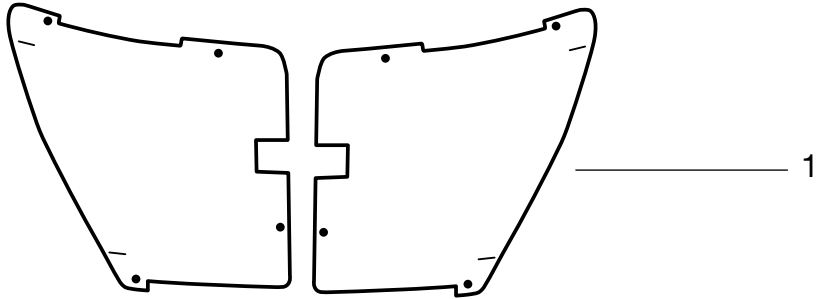
8

**ELECTRICAL UNIT, BackVacuum, double insulated**



**ELECTRIC SWITCH SERVICE KIT****ELECTRICAL UNIT, BackVacuum, double insulated****9**

Item	Ref. No.	Qty.	Description	Note	EAN code 5715492+
1			Electrical unit, complete	With electric outlet for electro nozzle	
	100913	1	USA version		+ 007134



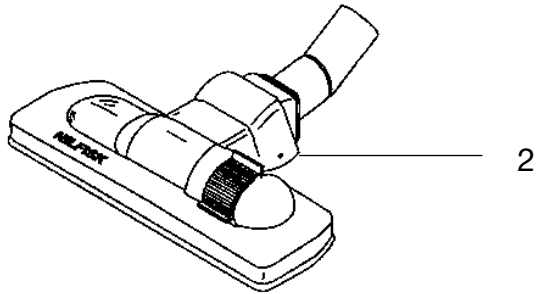
**FILTER SERVICE KIT, BackVacuum, double insulated**

**EXHAUST FILTER (STANDARD/HEPA)**

**11**

Item	Ref. No.	Qty.	Description	Note	EAN code 5715492+
1	100914	1	Exhaust diffuser filter (two pieces)		+ 006731
2	100915	1	Exhaust HEPA filter (two filters)	Area: 1300 cm <sup>2</sup> each Filtration: H13	+ 006717

			<b>ACCESSORIES Ø32 MM</b>	
		<b>12</b>	<b>NOZZLES, BackVacuum, double insulated</b>	



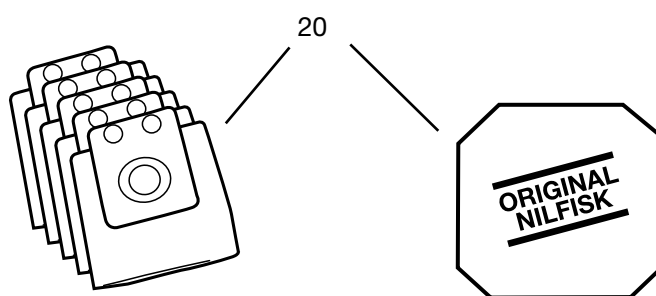
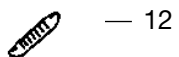
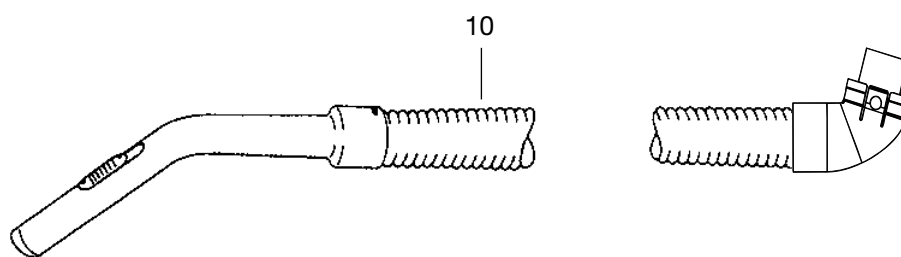
**ACCESSORIES Ø32 MM****NOZZLES, BackVacuum, double insulated****13**

Item	Ref. No.	Qty.	Description	Note	EAN code 5715492+
2	100918	1	Roller combi dry nozzle	Plastic	+ 002573

ACCESSORIES Ø32 MM

14

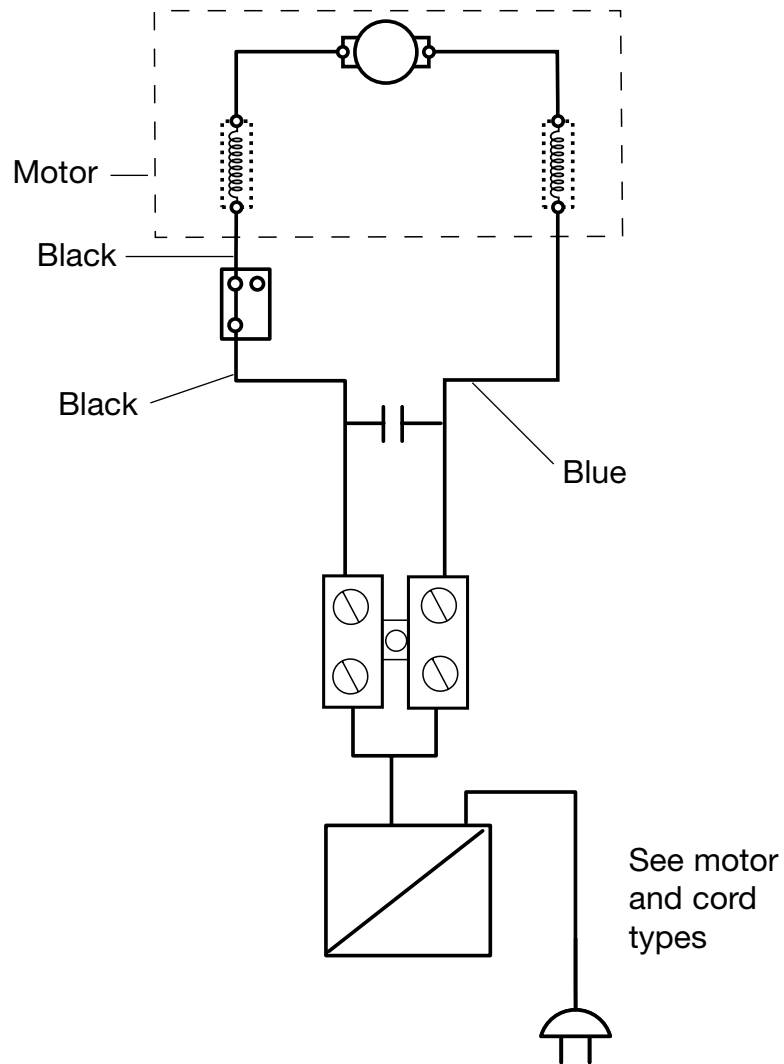
TUBES, HOSE AND DUST BAG. BackVacuum, double insulated




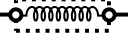
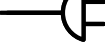
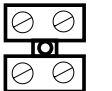
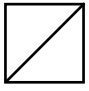
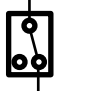
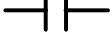
**ACCESSORIES Ø32 MM****TUBES, HOSE AND DUST BAG. BackVacuum, double insulated****15**

Item	Ref. No.	Qty.	Description	Note	EAN code 5715492+
2	100916	1	Tube, telescopic Length max 1130 mm	Steel	
10	100917	1	Hose plastic with coupling and curved tube. Length: 1150 mm	Plastic	+ 006762
12	100951	1	Atmos valve	Plastic	
20	100919	1	Dust bag, 5 pcs. packed with + one prefilter in a plastic bag		+ 006724





**Symbol explanation**

						
Armature	Field coil	Cord with plug	Terminal block	El-unit with on/off switch and socket for el-outlet	Thermo switch	Capacitor

