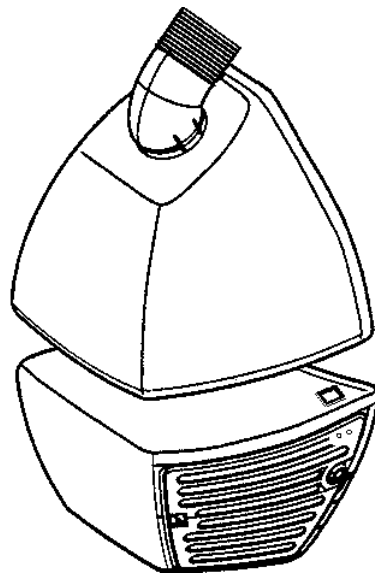


BackVacuum XP



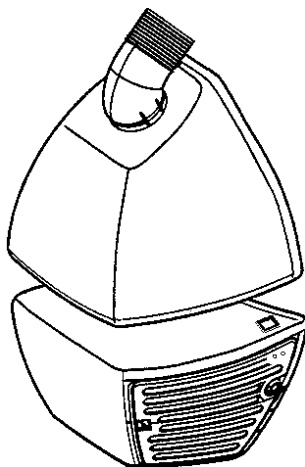
PARTS LIST

WHEN ORDERING PARTS

- * Use the numbers from the "Ref. No." columns in this parts list.
- * Specify the quantity.
- * Specify the serial number of the machine.
- * Use the space below to record the model and serial number for future reference.

Model _____ Serial no. _____

NOTES _____

TABLE OF CONTENTS SERVICE KIT**01/06****BACKVACUUM XP - BACK-PACK CLEANER****1**

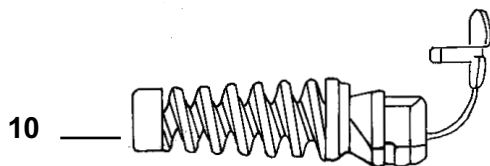
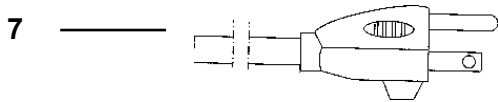
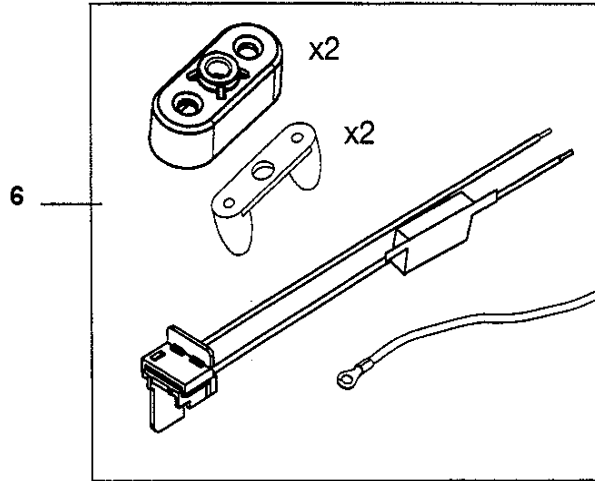
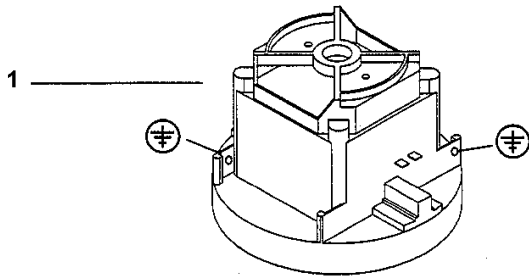
DESCRIPTION	PLAN
Motors, internal wires and cords	2
Container upper parts	4
Container lower parts	6
Electric items	8
Motorfilter and exhaust filter (Standard and HEPA)	10
Nozzles	12
Tubes, hose and dust bag	14
Electrical Diagram	16

MOTOR SERVICE KIT

2

MOTOR AND CORD TYPES

01/06



MOTOR SERVICE KIT**01/06****MOTOR AND CORD TYPES****3**

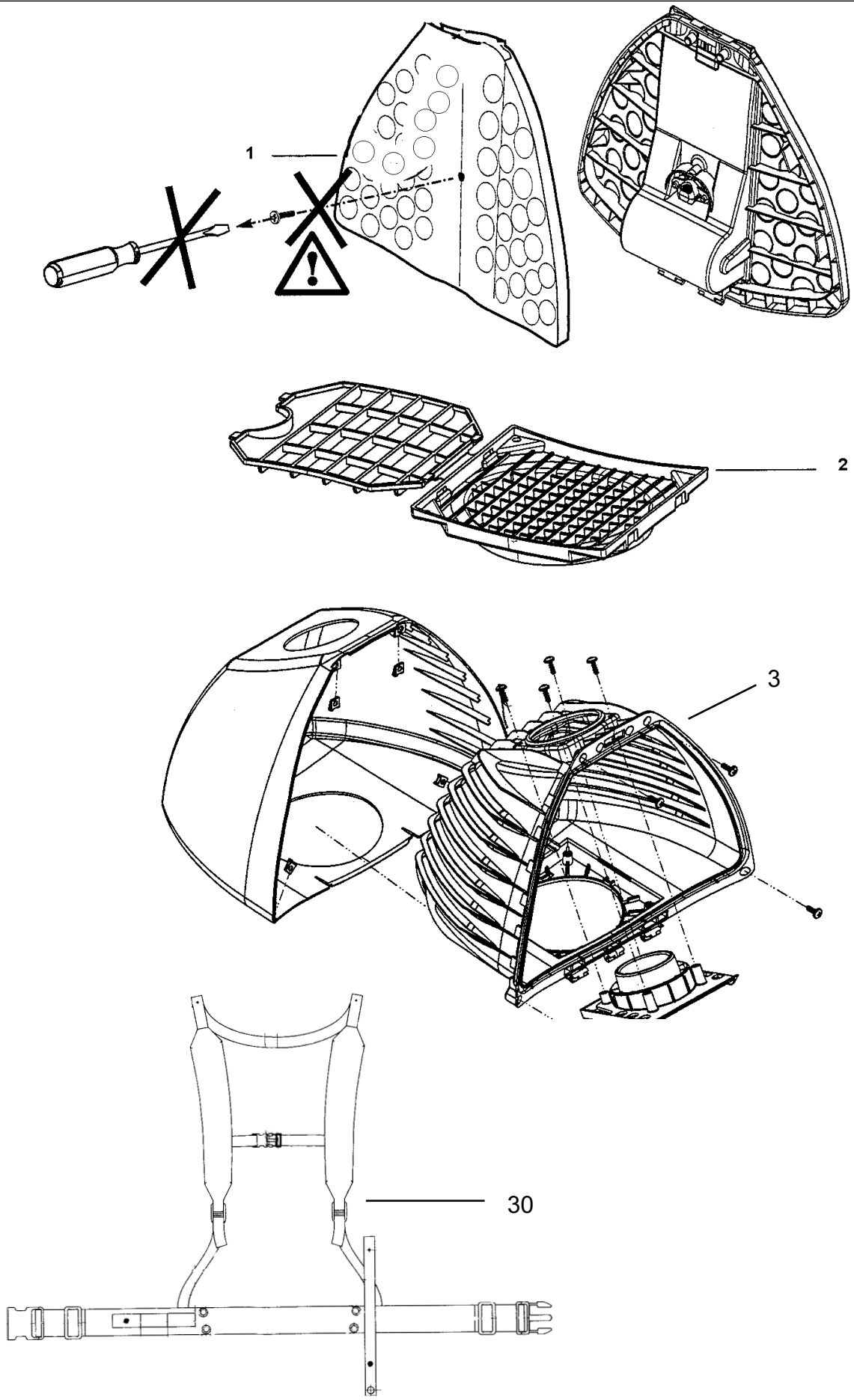
Item	Ref.No.	Qty.	Description	Note	EAN code 5715492+
1			Motor/fan unit for:	Mat.: plast and steel	
	56100947	1	110-120V, 50-60Hz, 1000W	grounded +008420	
6	56100948	1	Internal wire kit for for grounded version, with thermo switch and cable relief	Mat.: PVC and copper, PP	+008308
7	140 8037 000	1	Extension cord with plug and socket. Grounded	Mat.: PVC and copper Length=15m (49 ft.) Colour=orange	7319519512984
	140 3859 090	1	Cord, from the machine with plug. 18 AWG.	Length 0,4m (1.31 ft)	7319519512991
10	140 7688 000	1	Strain relief		7319519511741

CONTAINER SERVICE KIT

4

UPPER PART BACK-PACK VACUUM CLEANER

01/06



CONTAINER SERVICE KIT

02/04

UPPER PART BACK-PACK VACUUM CLEANER**5**

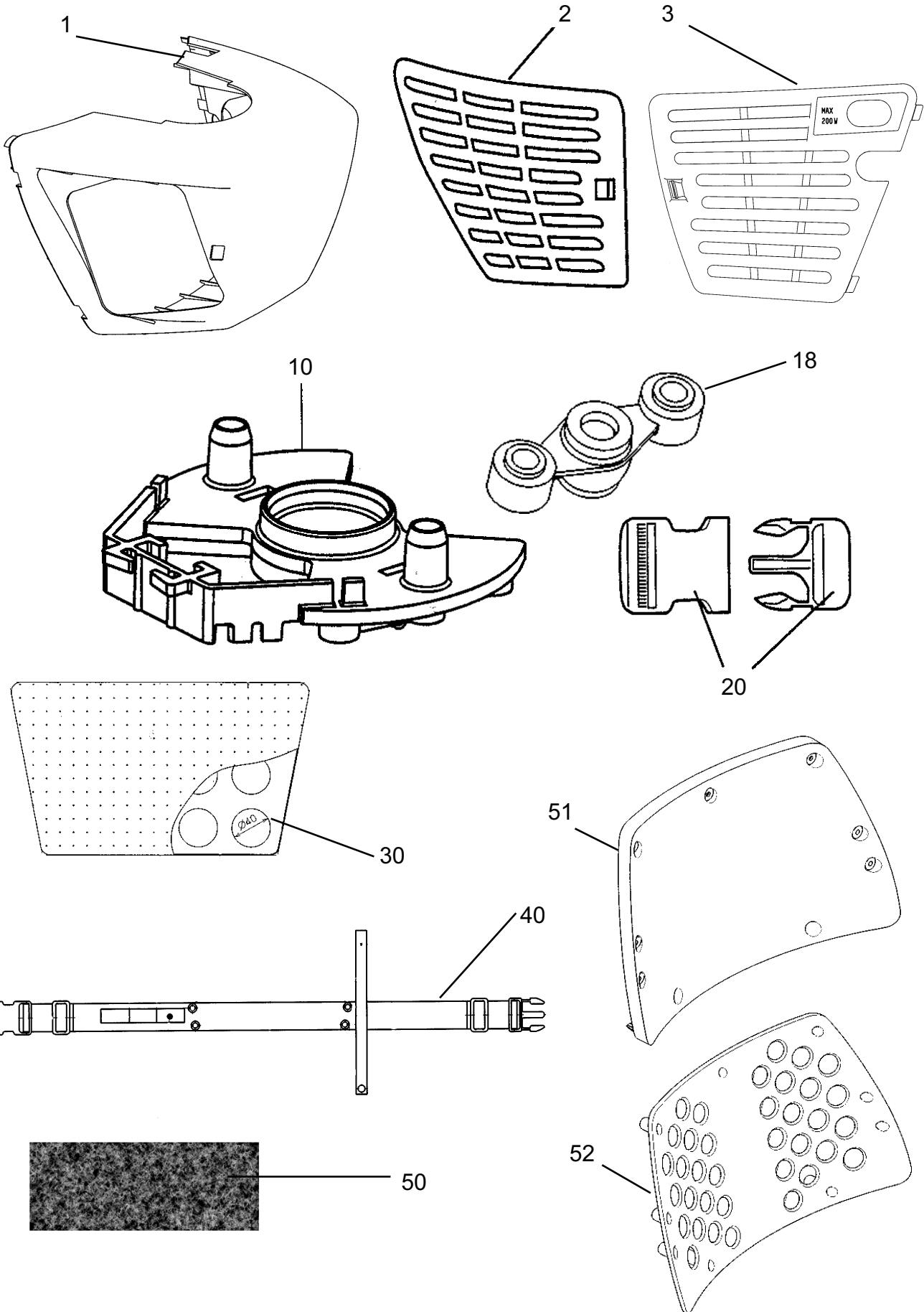
Item	Ref.No.	Qty.	Description	Note	EAN code 5715492+
1	56100907	1	Dust chamber lid complete	Mat.: ABS grey RAL 7001	+006694
	82153800	1	Cover for Lid		
2	56100908	1	Frame for main filter complete		+006755
3	56100944	1	Dust chamber complete	Mat.: ABS	+007806
	62152700	1	Gasket for Dust Chamber		
30 >>	140 7863 010	1	Fixed straps cpl.	Mat.:Polyprop.	7319519611595
	1407863510	1	Fixed Strap Kit (for machines before SN013500001)		

CONTAINER SERVICE KIT

6

LOWER PART BACK-PACK VACUUM CLEANER

01/06



CONTAINER SERVICE KIT**01/06****LOWER PART BACK-PACK VACUUM CLEANER****7**

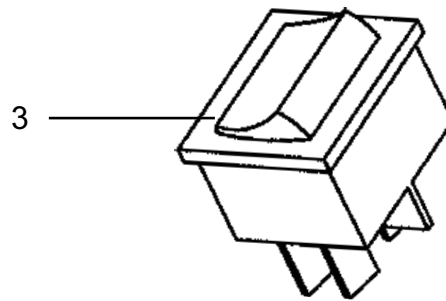
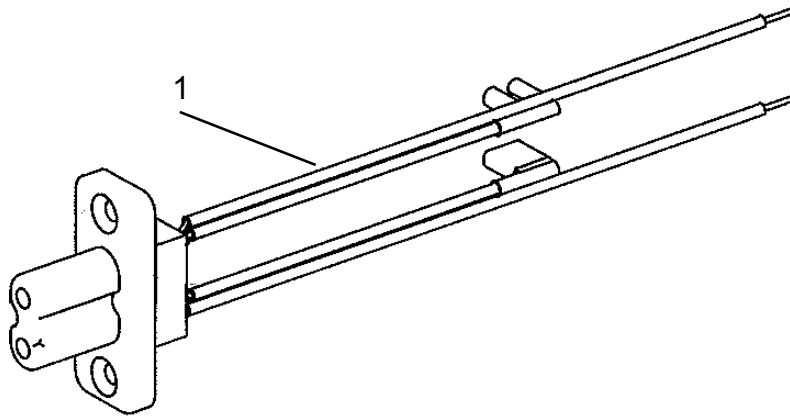
Item	Ref.No.	Qty.	Description	Note	EAN code 5715492+
1	140 8031 000	1	Motor housing cover	Mat.: ABS colour: grey, RAL 7001	7319519513028
2	56100910	1	Grid,one left and one right	Mat.: ABS colour:grey RAL 7001	+006700
3	140 8030 000	1	Grid, right w.hole f. outlet	Mat.: ABS colour:grey RAL 7001	7319519513059
10	56100911	1	Motor suspension		+006748
18	82157400	1	Rubber suspension	Mat.: Rubber type S8R	7319519492941
20	56100912	1	Buckles male/female complete	Mat.: PP colour:black	+006786
30	140 7934 000	1	Mesh cushion cpl. With velcro tape	Mat.: Polyester Airmesh and hard foam. colour:black	7319519509205
40	82152500	1	Belt cpl.	Mat.; Polypr. web. Eylet; bronze + nickel coated	7319519492781
50	140 7975 000	1	Heat reflector, for the back cover	Mat.;Recfoam polyester, LBR Tape Standard from serial number 002200001	7319519510874
51	140 8032 000	1	Back Plate	Mat.; ABS Cyclac S701 colour: grey RAL 7001	7319519513035
52	140 7949 000	1	Distance Plate	Mat.; ABS Cyclac S701 colour: grey RAL 7001	7319519511765

ELECTRICAL SWITCH SERVICE KIT

8

ELECTRICAL ITEMS

01/06



ELECTRICAL SWITCH SERVICE KIT

02/04

ELECTRICAL ITEMS**9**

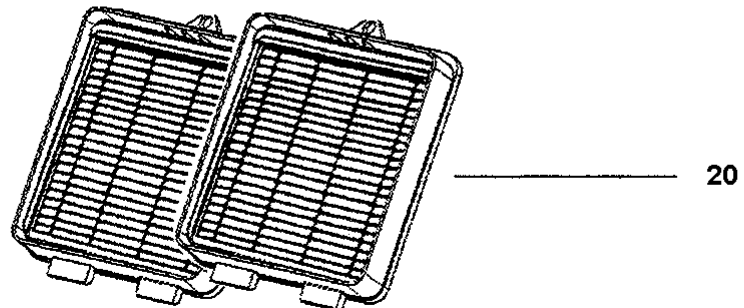
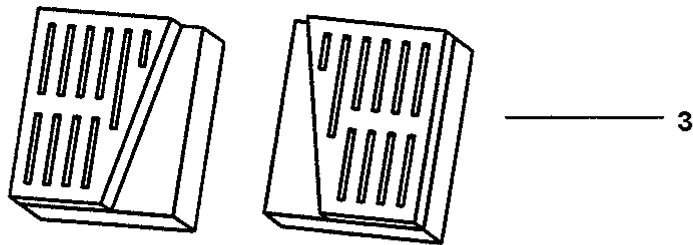
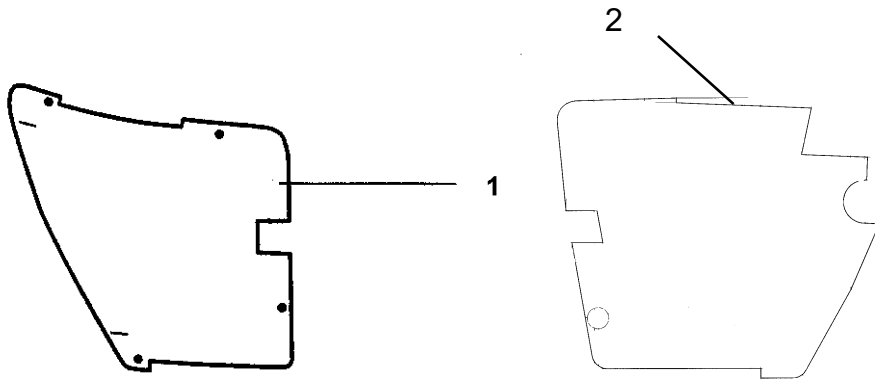
Item	Ref.No.	Qty.	Description	Note	EAN code
1	140 8036 000	1	Connector	Electrical outlet for electro nozzle	7319519513011
3	140 5496 000		Switch		7319519387117

FILTER SERVICE KIT PACK VACUUM CLEANER

10

EXHAUST FILTERS STANDARD/HEPA

01/06



FILTER SERVICE KIT PACK VACUUM CLEANER**01/06****EXHAUST FILTERS STANDARD/HEPA****11**

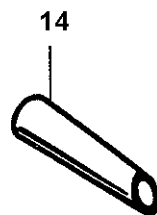
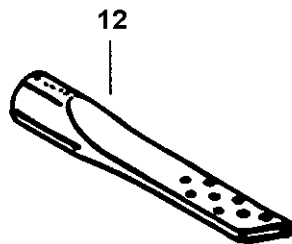
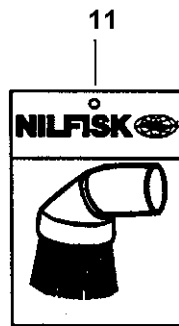
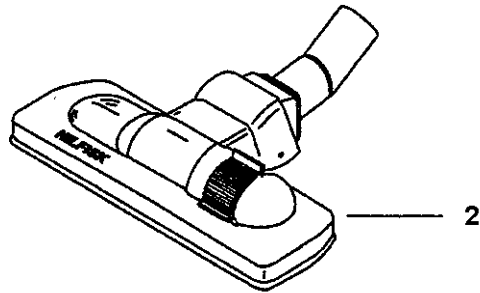
Item	Ref.No.	Qty.	Description	Note	EAN code 5715492+
1	56100952	2	Exhaust diffuser filter For the left side	Standard type	+008650
2	140 8038 000	1	Exhaust diffuser filter For the right side	F. models w. p.outlet at the machine	7319519513042
3	22244400	1	Sound suppressors Left and right		+008674
20	56100915	1	Exhaust HEPA filter (two filters)	Area:1300 cm ² Filtration: H13	+006717

ACCESSORIES Ø32MM

12

NOZZLES, BACK-PACK VACUUM CLEANER

01/06



ACCESSORIES Ø32MM

02/04

NOZZLES, BACK-PACK VACUUM CLEANER**13**

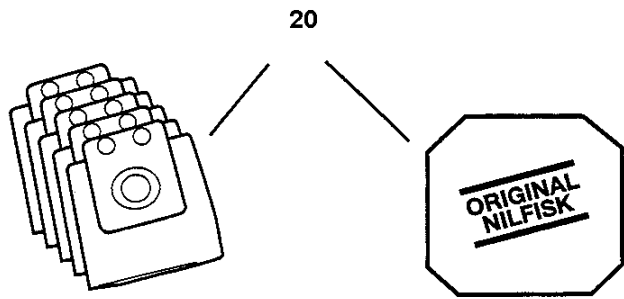
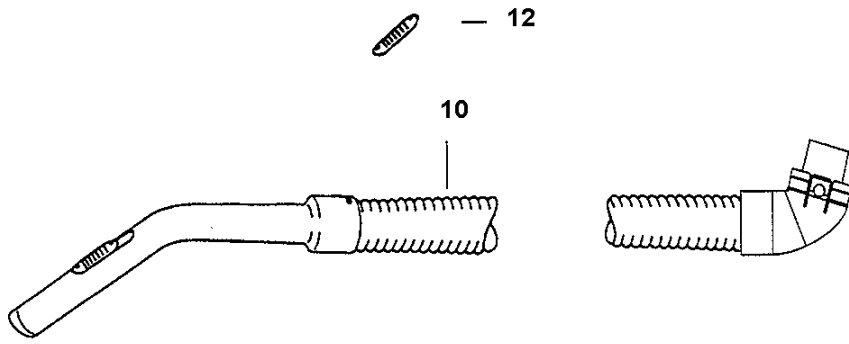
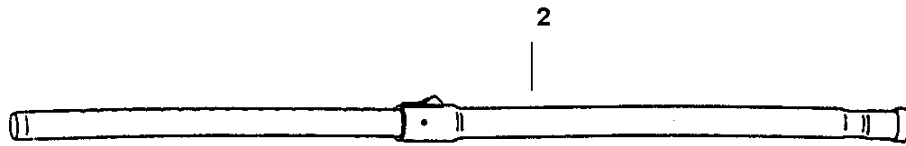
<u>Item</u>	<u>Ref.No.</u>	<u>Qty.</u>	<u>Description</u>	<u>Note</u>	<u>EAN code 5715492+</u>
2	56208625	1	Roller combi nozzle 3032	Plastic	+002573
10	56208637	1	Upholstery nozzle with insertion width 130 mm	Plastic	+002658
11	56208636	1	Round brush, turnable with black natural britles width 70 mm packed in a plastic bag		+005451
12	81530400	1	Crevice nozzle, width 245 mm	Plastic	
14	56208635	1	Flexible nozzle, length 150 mm	Plastic	

ACCESSORIES Ø32MM

14

TUBES, HOSE AND DUST BAG

01/06



ACCESSORIES Ø32MM

02/04

TUBES, HOSE AND DUST BAG**15**

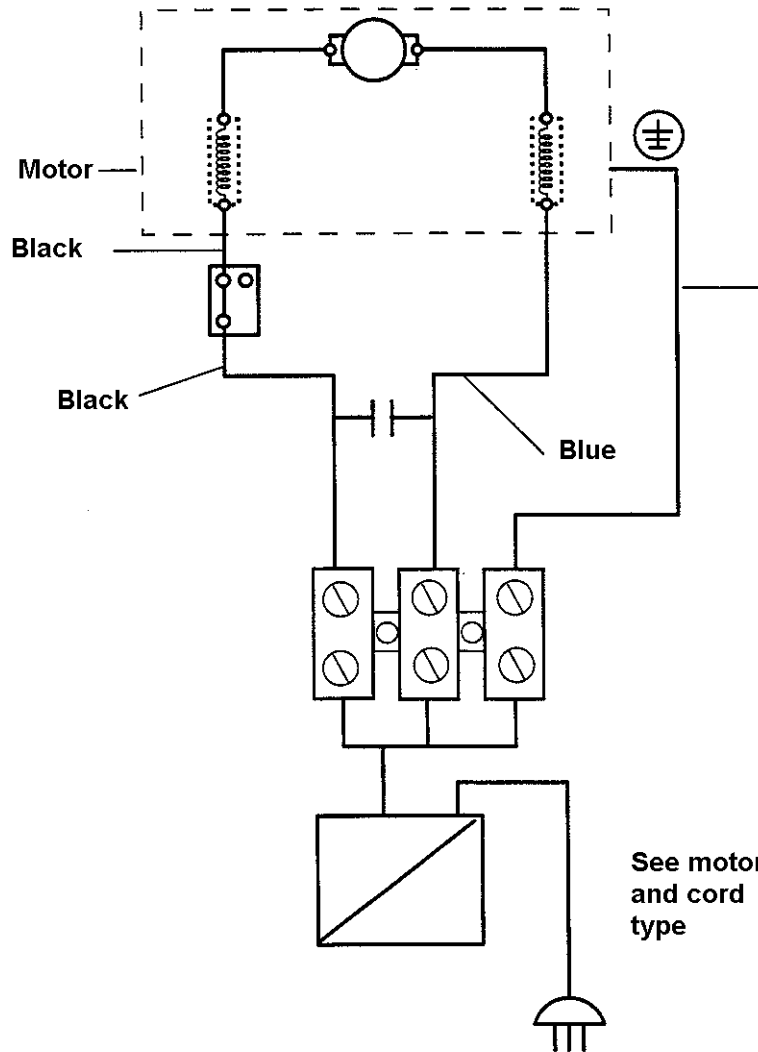
<u>Item</u>	<u>Ref.No.</u>	<u>Qty.</u>	<u>Description</u>	<u>Note</u>	<u>EAN code 5715492+</u>
2	56100916	1	Tube, telescopic. Length max 1130 mm	Steel	
	81948300	1	Friction Ring		
10	56100917	1	Hose plastic with coupling and curved tube. Length 1150 mm	Plastic	+006762
12	56100951	1	Atmos, valve	Plastic	
20	56100919	1	Dust bag, 5 pcs. packed with one prefilter in a plastic bag.		+006724
21	82154600	1	Prefilter		7319519493443
	56100957	1	Prefilter, package of 10.		

ELECTRICAL DIAGRAM

16

BACKVACUUM, GROUNDED VERSION

01/06



Symbol explanation						
Armature	Field coil	Cord grounded	Terminal block	on/off switch and socket for el-outlet	Thermo switch	Capacitor



Nilfisk-Advance, Inc.
14600 21st Avenue North
Plymouth, MN, 55447-3408
www.nilfisk-advance.com
Phone: 800-989-2235
Fax: 800-989-6566
©2002 Nilfisk-Advance, Inc.,
Plymouth, MN 55447-3408
Printed in the U.S.A.