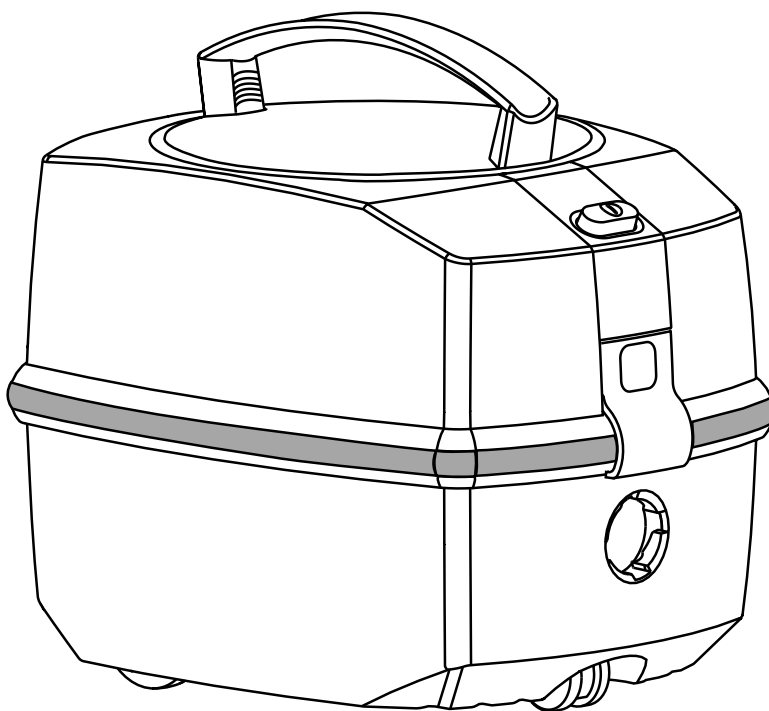


GD 1000 series

Parts list for model:

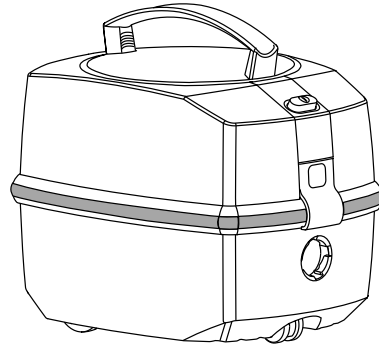
GD 1005 -	110-120V:	208700
GD 1010 -	110-120V:	208800
GDS 1010 -	110-120V:	208900
HDS 1005 -	110-120V:	208600



Nilfisk

Made for ADVANCE

1/99 FORM NUMBER 56042335



DESCRIPTION	PAGE
Motors, internal wires and cords	2
Container upper parts	4
Electric switch units	6
Filter and HEPA filter	8
Container bottom parts	10
Nozzles, tubes, hoses, accessories and dust bag	12
Wiring diagrams	16

WHEN ORDERING PARTS

- * Use the 6 digit numbers from the "Ref. No." columns in this parts list.
- * Specify the model and serial number of the machine.
- * Use the space below to record the model and serial number for future reference.

Model _____ Serial No. _____

MOTOR SERVICE KIT

2

MOTOR AND CORD TYPES, ALL MODELS

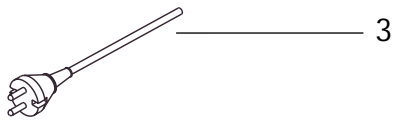
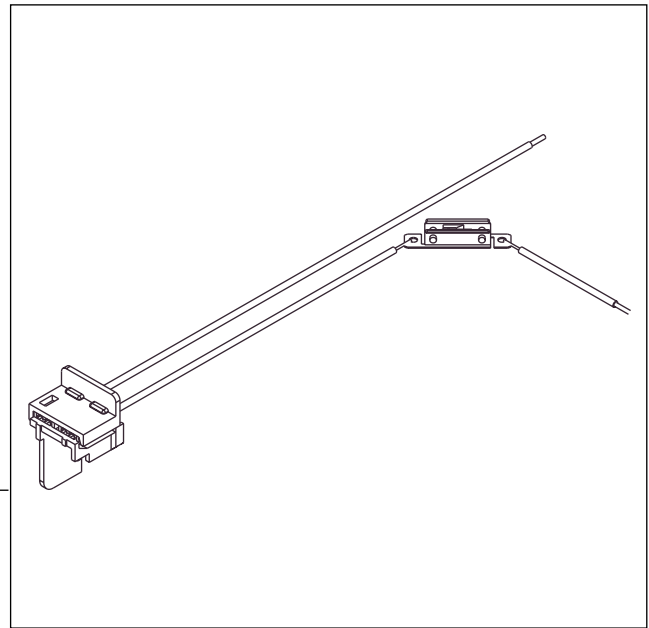
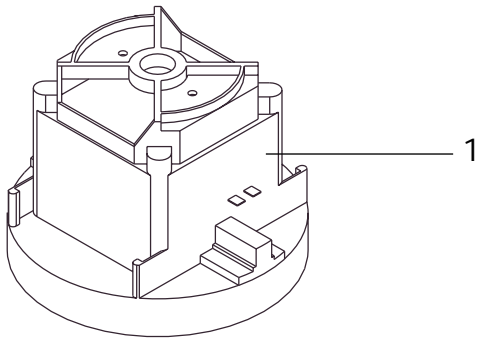






Fig. 1 Cord

	Voltage	Plug type	
Index 03, AUS/NZ	250		
Index 05, USA/Japan	120		

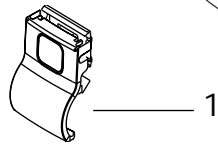
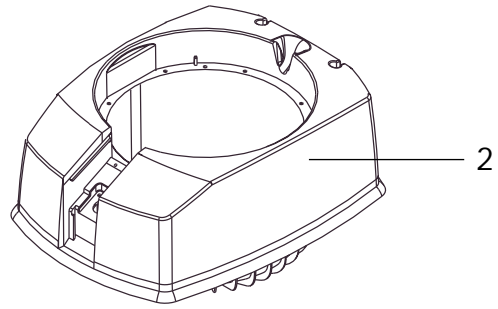
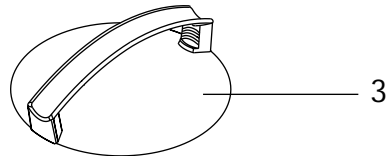
MOTOR SERVICE KIT**MOTOR AND CORD TYPES, ALL MODELS****3**

Item	Ref.No.	Qty	Description	Note
1			Motor/fan unit for:	Mat.: Plast and steel
	208601		220-240 V, 50-60 Hz, 1200 W	
	208602		110-120 V, 50-60 Hz, 1000 W	
2a	208603		Internal wire kit for GDS 1010, HDS 1005	Mat.: PVC and copper, PP
2b	208604		Internal wire kit for GD 1005, GD 1010	Mat.: PVC and copper, PP
3			Cord, length = 10 m	Mat.: PVC and copper Colour: Grey, RAL 7001
	208606	1	Australia, New Zealand	
	208605	1	USA, Japan, Canada	

CONTAINERS SERVICE KIT

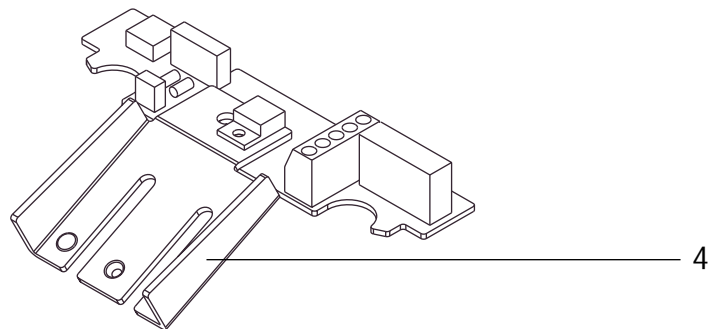
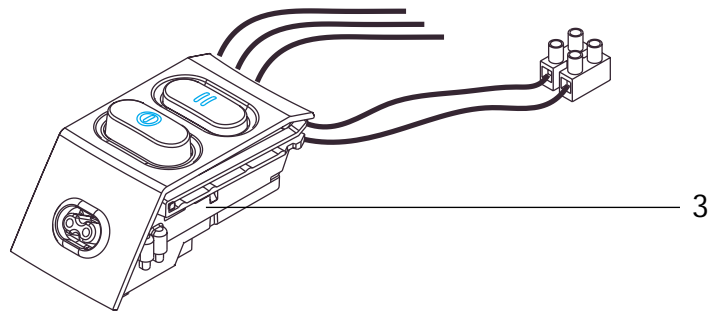
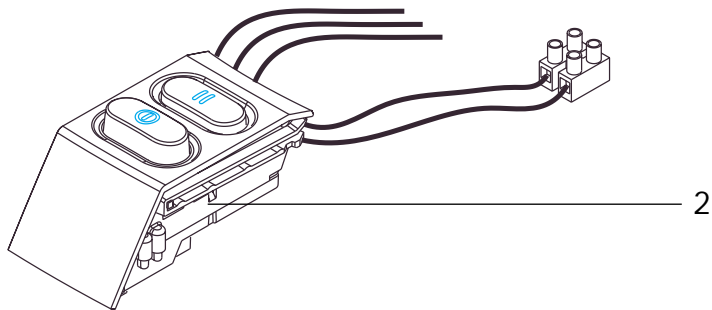
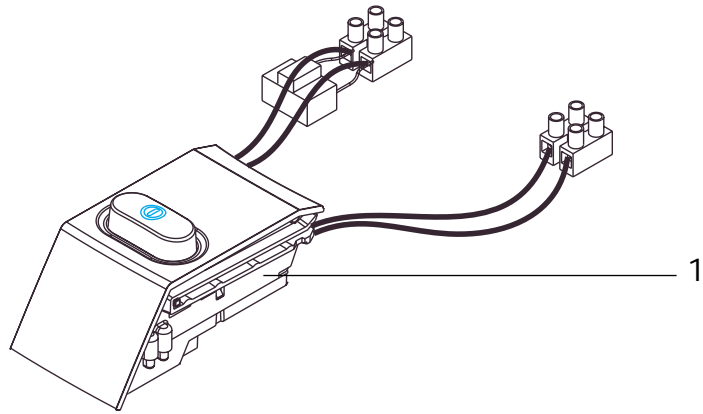
4

UPPER PARTS, ALL MODELS



CONTAINERS SERVICE KIT**UPPER PARTS, ALL MODELS****5**

Item	Ref.No.	Qty	Description	Note
1	208607	1	Lock, assembly	Mat.: PC and steel, Colour: Grey, RAL 7001/Dark grey, RAL 7016
2	208608	1	Upper part	Mat.: ABS, Colour: Grey, RAL 7001
3	208609	1	Handle cover	Mat.: ABS, Colour: Grey, RAL 7001



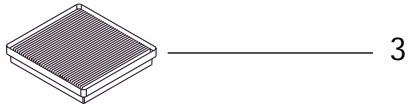
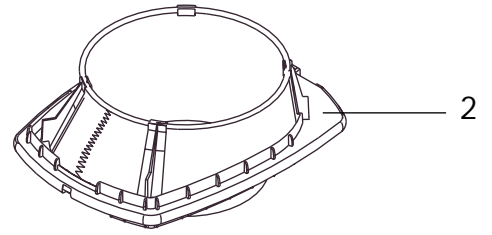
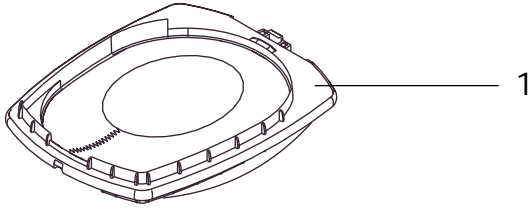
ELECTRIC SWITCHES SERVICE KIT**ELECTRIC OPERATING SWITCH UNITS****7**

Item	Ref.No.	Qty	Description	Note
1	208610	1	Electrical unit GD 1005, GD 1010	
2	208611	1	Electrical unit, GDS 1010	
3	208612	1	Electrical unit, HDS 1005	
4			Printed wiring board for GDS 1010 and HDS 1005:	
	208613	1	220-240 V, 50 Hz, 1200 W	
	208614	1	110-120 V, 60 Hz, 1000 W	
	208615	1	100 V, 60 Hz, 1000 W	

FILTERS SERVICE KIT

8

FILTER AND HEPA FILTER



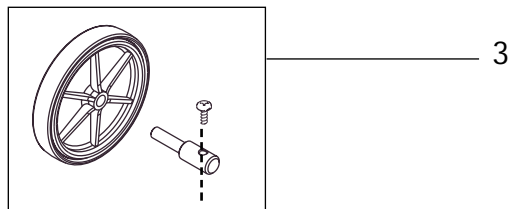
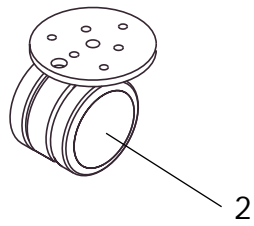
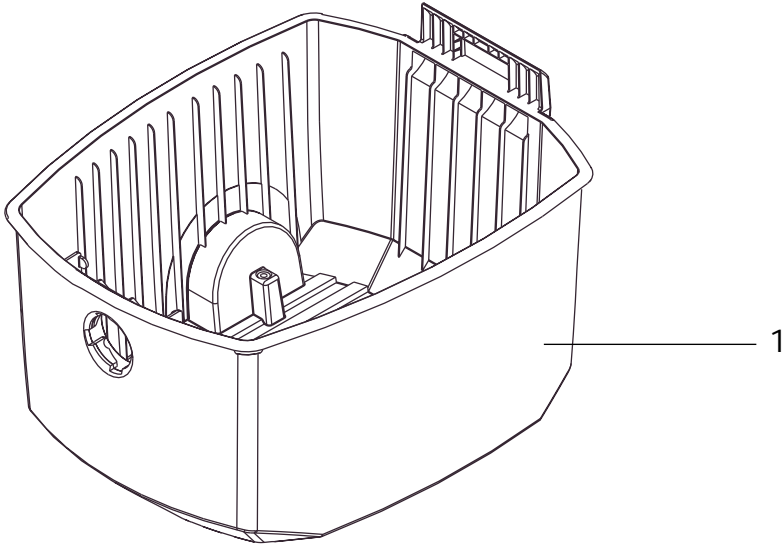
FILTERS SERVICE KIT**FILTER AND HEPA FILTER****9**

Item	Ref.No.	Qty	Description	Note
1	208616	1	Filter unit, GD 1005, blue	Area: 1200 cm ²
2	208617	1	Filter unit, GD 1010, GDS 1010	Area: 2300 cm ²
3	208618	1	HEPA filter, HDS 1005	Area: 4300 cm ²

CONTAINER SERVICE KIT

10

BOTTOM PARTS



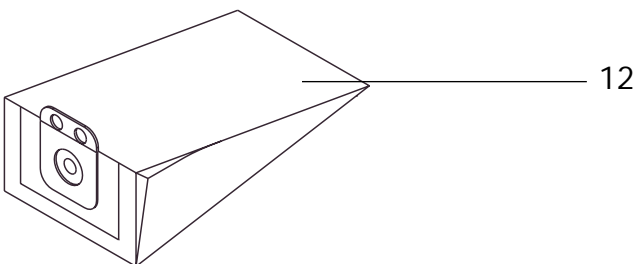
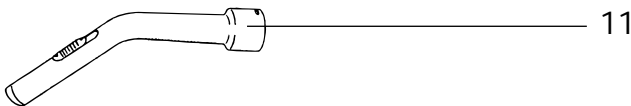
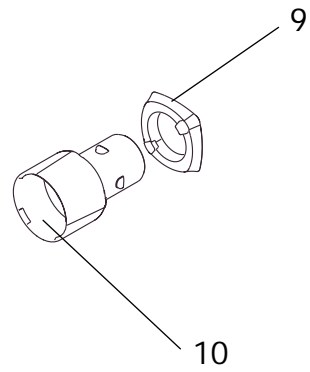
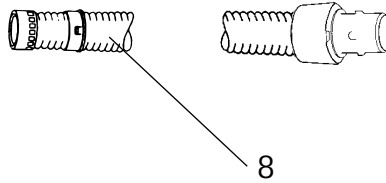
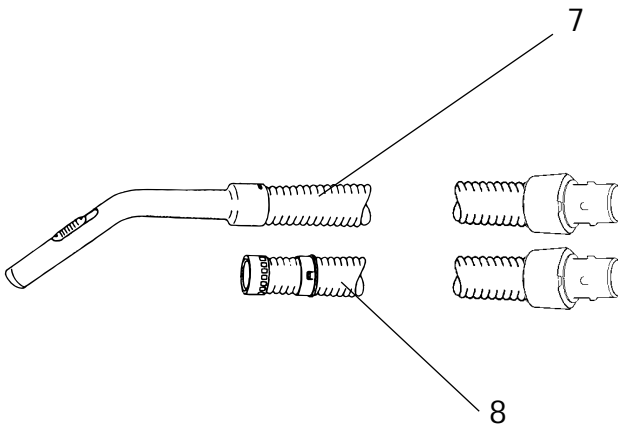
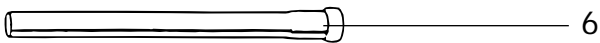
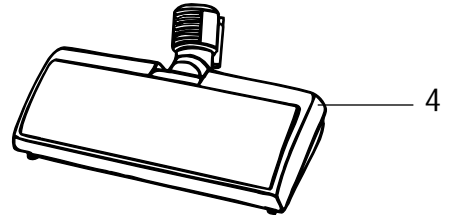
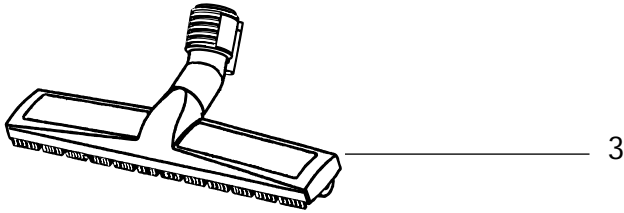
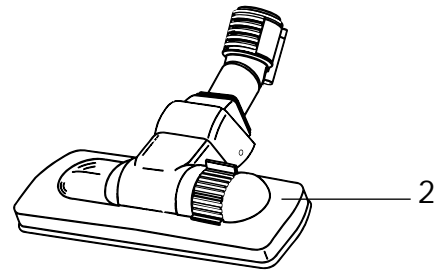
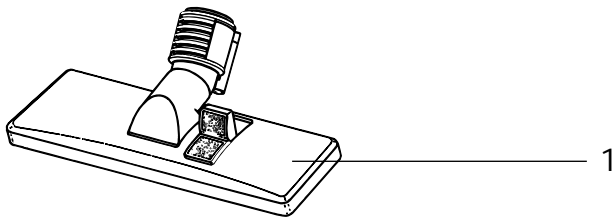
CONTAINER SERVICE KIT**BOTTOM PARTS****11**

Item	Ref.No.	Qty	Description	Note
1	208619	1	Container, 8.75 litre, GD 1005, HDS 1005	
1	208621	1	Container, 16 litre GD 1010, GDS 1010	
2	208622	1	Front wheel with internal plate and screws	
3	208623	1	Wheel	

ACCESSORIES

12

NOZZLES, TUBES, HOSES AND DUST BAGS

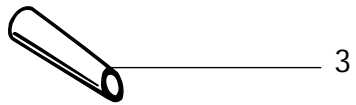
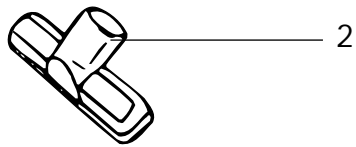
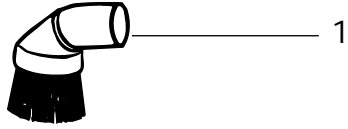


ACCESSORIES

NOZZLES, TUBES, HOSES AND DUST BAGS

13

Item	Ref.No.	Qty	Description	Note
1	208624	1	Combi dry nozzle with parking clip, 3132	Mat.: PP Colour: Grey, RAL 7001 Width: 306 mm
2	208625	1	Roller combi dry nozzle with parking clip, 3032	Mat.: PP Colour: Grey, RAL 7001 Width: 294 mm
3	208626	1	Hard floor nozzle with stationary brush and parking clip, 3632	Mat.: PP Colour: Grey, RAL 7001 Width: 360 mm
4	208627	1	Electro nozzle with parking clip, 2832, 220-240 V	Mat.: PA, ABS Colour: Grey, RAL 7001 Width: 280 mm
5	208628	1	Parking clip	Mat.: POM Colour: Grey, RAL 7001
6	208629	1	Tube	Mat.: Steel Length: 560 mm
7	208630	1	Tapered hose with ø 32 mm curved plast tube, 2 m	Mat.: PP, PE Colour: Silver
8	208631	1	Tapered hose with coupling only	Mat.: PP, PE Colour: Silver
9	208632	1	Gasket	Mat.: EPDM Colour: Black
10	208633	1	Hosecoupler	Mat.: PC Colour: Dark grey, RAL 7016
11	208634	1	Curved ø 32 mm plast tube	Mat.: PP with steelfibers Colour: Grey, RAL 7001
12	208638	1	Dust bag (4.5 l), packed with 5 pcs. in a plast bag	Mat.: Paper unbleached Colour: Brown
	208640	1	50 pcs. in a carton	
	208641	1	Dust bag (9.5 l), packed with 5 pcs. in a plast bag	
	208642	1	50 pcs. in a carton	
	208643	1	(4.5 l) 250 pcs. in a carton	
	208644	1	(9.5 l) 250 pcs. in a carton	



Cloth filter bag ————— 4

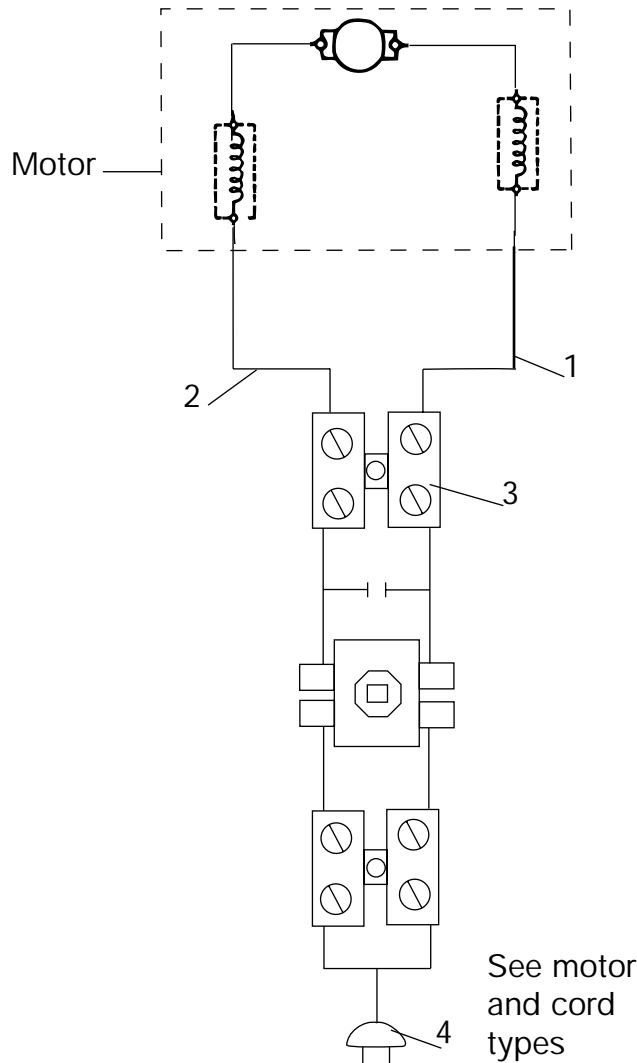
Bag clip ————— 5

Cord hook ————— 6

Turbo powered floor tool — 7

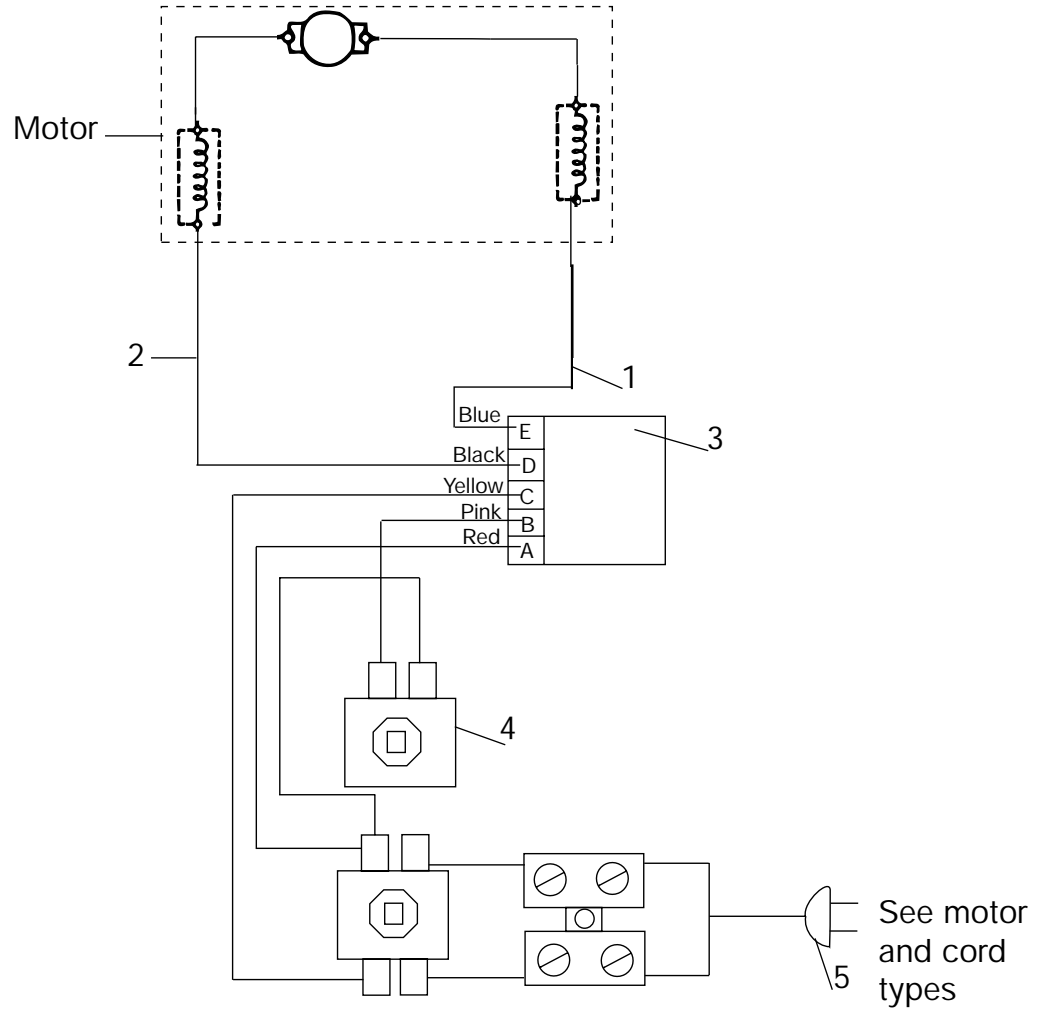
ACCESSORIES**15**

Item	Ref.No.	Qty	Description	Note
1	208636	1	Dusting tool, ø 70 mm	
2	208637	1	Upholstery tool	
3	208635	1	Crevice tool	
4	208645	1	Cloth filter bag	
5	330608	1	Bag clip	
6	208646	1	Cord hook	
7	100687	1	Turbo powered floor tool	



No.	Part name
1	Internal wire with thermo switch (white, 590 mm, connection: 4.8 x 0.5 mm, \varnothing 1.8 x 6 mm)
2	Internal wire (brown, 260 mm, connection 4.8 x 0.5 mm, \varnothing 1.8 x 6 mm)
3	Switch incl. terminal blocks, complete
4	Cord (grey, length: 10 m)

Symbol explanation					
Armature	Field coil	Capacitor	Terminal block	Double pole switch	Cord

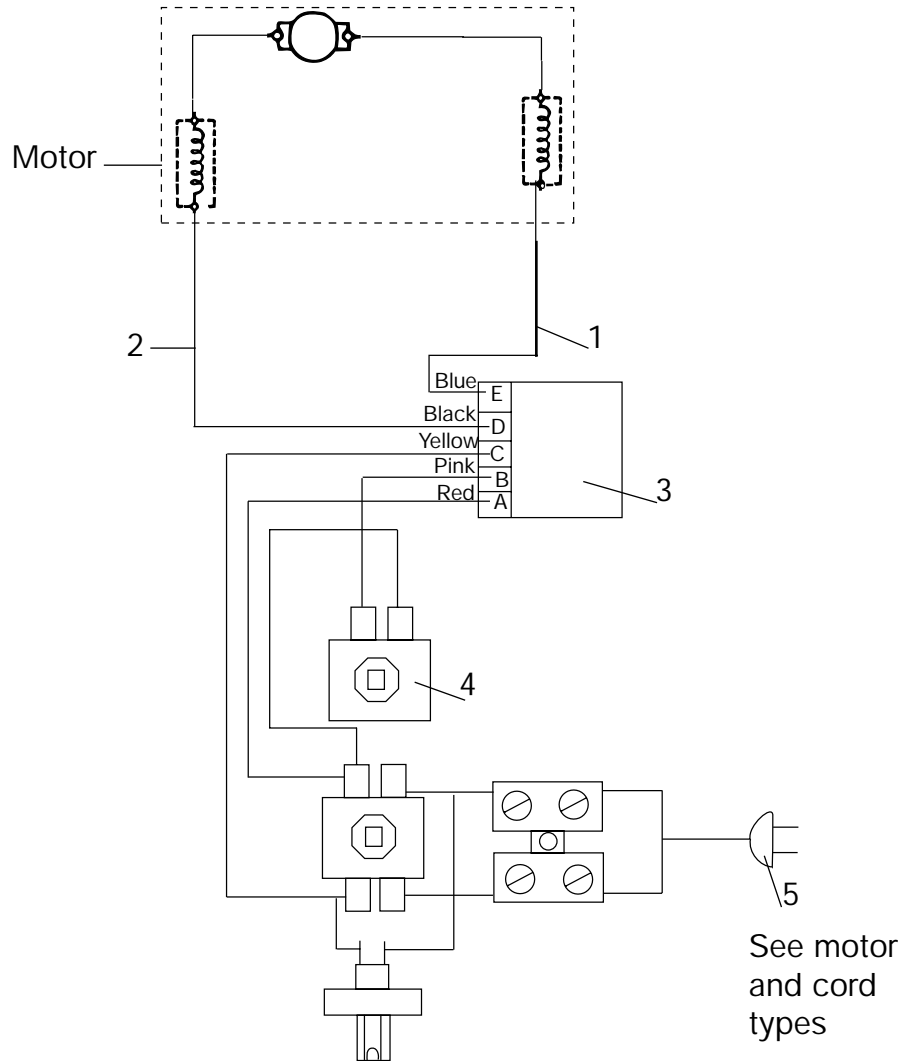


No. Part name

1	Internal wire with thermo switch (blue, 785 mm, connection: 4.8 x 0.5 mm, \varnothing 1.8 x 6 mm)
2	Internal wire (black, length: 420 mm, connection 4.8 x 0.5 mm, \varnothing 1.8 x 6 mm)
3	Printed circuit board, included capacitor
4	Switch unit for speed regulation
5	Cord (grey, length: 10 m)

Symbol explanation

Armature	Field coil	Terminal block	Cord	Printed circuit board	Single pole switch	Double pole switch



No.	Part name
1	Internal wire with thermo switch (blue, 785 mm, connection: 4.8 x 0.5 mm, ø 1.8 x 6 mm)
2	Internal wire (black, length: 420 mm, connection 4.8 x 0.5 mm, ø 1.8 x 6 mm)
3	Printed circuit board, included capacitor
4	Switch with outlet, complete
5	Cord (grey, length: 10 m)

Symbol explanation						
Armature	Field coil	Cord	Outlet	Printed circuit board	Single pole switch	Double pole switch
Terminal block						

