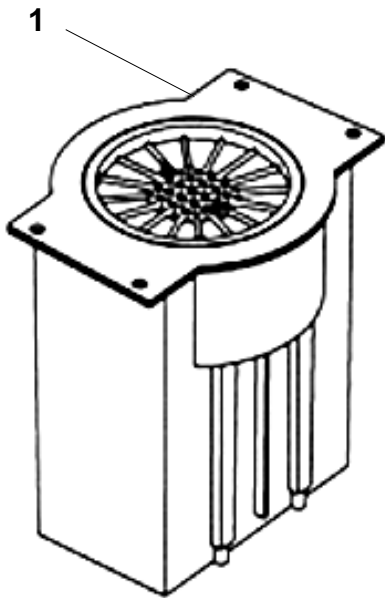


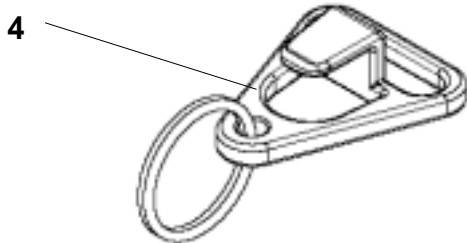
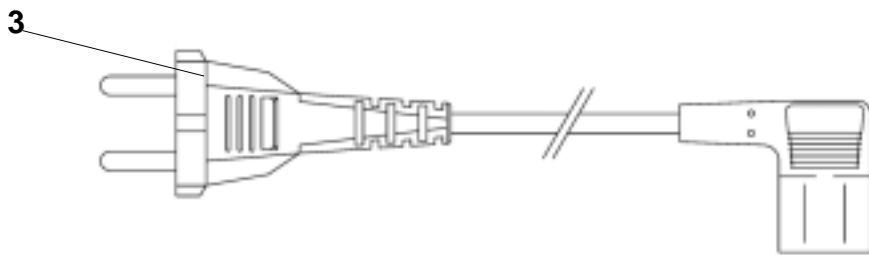


DESCRIPTION	PLAN
Motors and cords	B - 2.3.3 - 2
Container upper parts	B - 2.3.3 - 4
Electrical units	B - 2.3.3 - 6
Filter and HEPA filter	B - 2.3.3 - 8
Container bottom parts	B - 2.3.3 - 10
Nozzles, tubes, hoses and dust bag	B - 2.3.3 - 12
Nozzles, special	B - 2.3.3 - 14

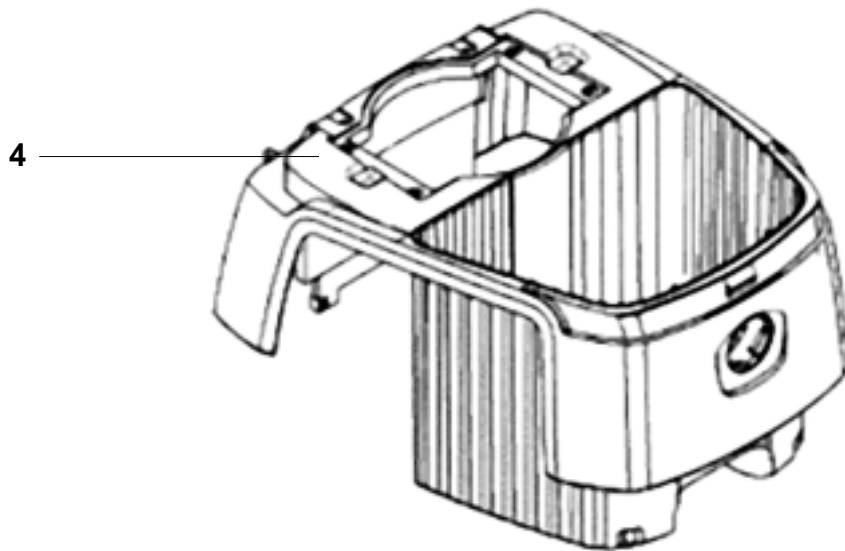
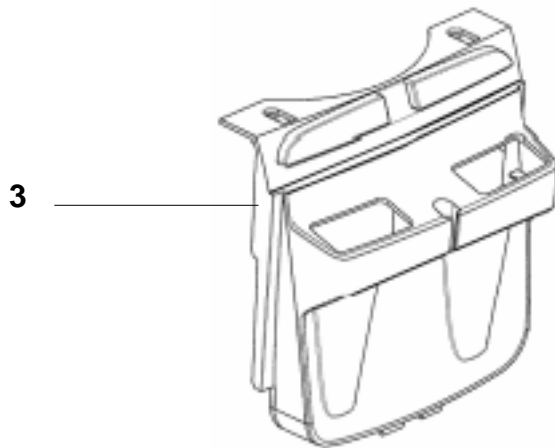
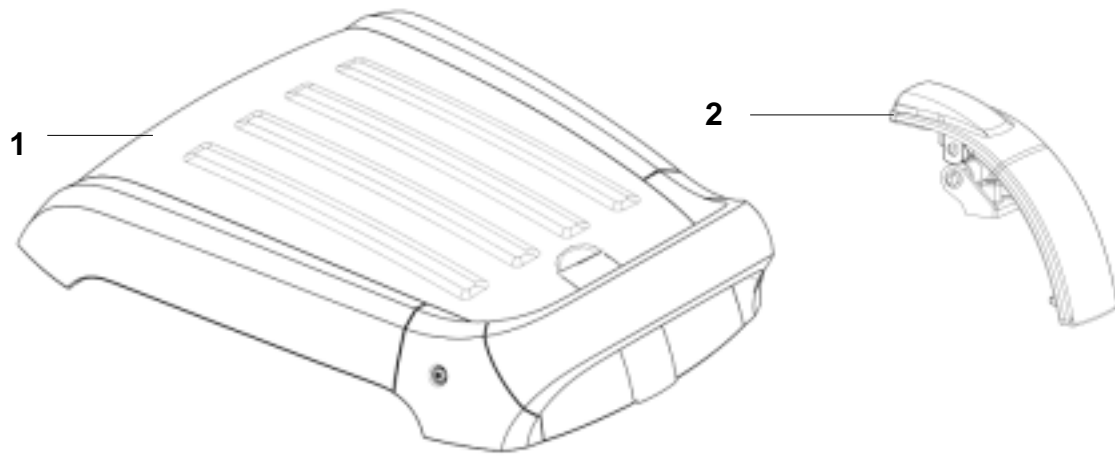


**Fig. 2 Cord set Ref.No. 120038xx**

<b>01 EU</b>		
<b>02 UK</b>		
<b>03 AU/NZ</b>		
<b>04 CH</b>		
<b>05 US/JP</b>		



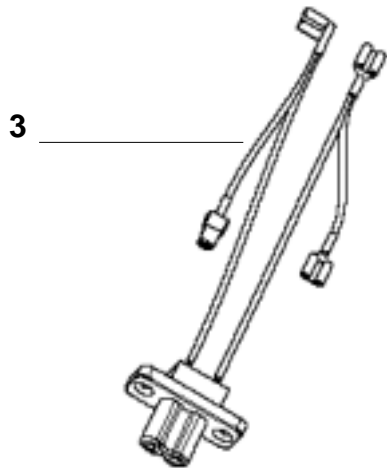
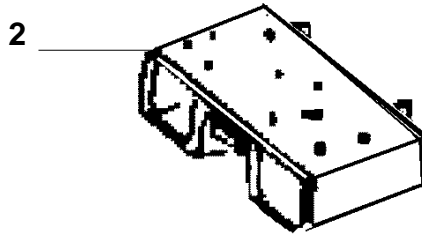
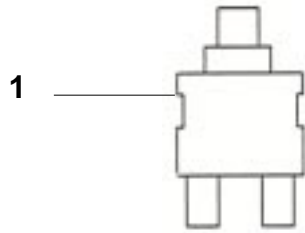
Item	Ref.No.	Qty.	Description	Note
1	140 8400 500	1	Motor cassette 220-240V	Thermal protector included
	140 8400 510	1	Motor cassette 110-120V	
	140 8400 520	1	Motor cassette 100V	
2	12003801	1	Cord, EU version Cord length=15m	Mat.: PVC, copper Colour: Grey, RAL 7001
	12003802	1	Cord, UK version Cord length=15m	Colour: Grey, RAL 7001
	12003803	1	Cord, Australia, New Zealand Cord length=15m	
	12003804	1	Cord, Switzerland Cord length=15m	
	12003805	1	Cord, US, Japan, Canada Cord length=15m	18 AWG
3	140 8434 500	1	Detachable cord EU version	
	140 8434 510	1	Detachable cord UK version	
4	140 8433 500	1	Cable relief	



**03-05****CONTAINER SERVICE KIT****BOOK B****03-10****UPPER PARTS, ALL MODELS****B****4.6.3****5**

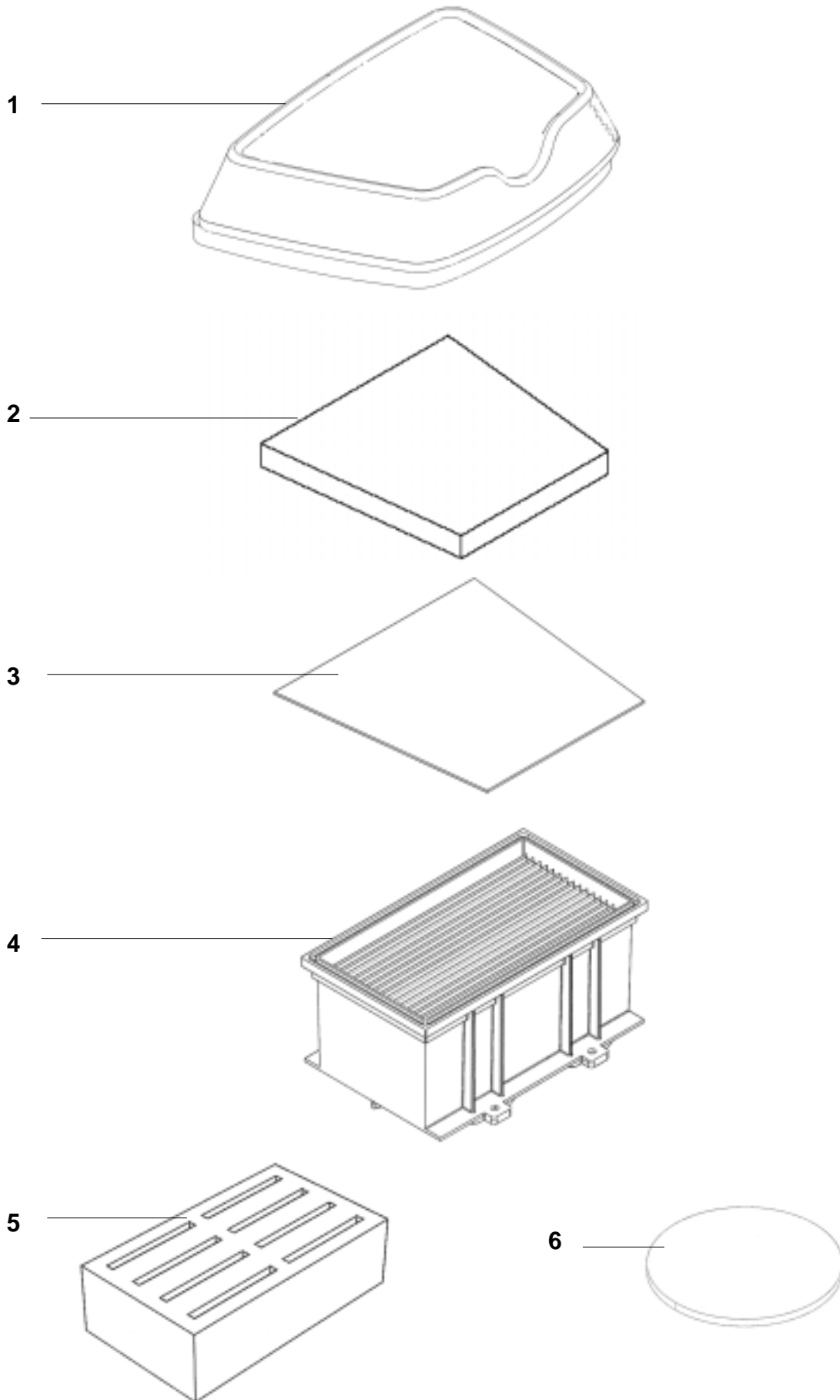
<u>Item</u>	<u>Ref.No.</u>	<u>Qty.</u>	<u>Description</u>	<u>Note</u>
1	140 8419 500	1	Lid cpl. f. GD versions Colour: grey	Handle, latch & filters are included.
	>>140 8419 510	1	Lid cpl. w. Sound absorber Colour:grey	Handle, latch & filters are included.
	>>140 8419 520	1	Lid cpl. Colour: blue	Handle, latch & filters are included.
2	>>140 8444 500	1	Latch cpl. Colour: grey	With bracket
3	140 8560 500	1	Cover rear, Colour: grey for 1 speed versions	With trigger, and spring
	140 8560 510	1	Cover rear, UL Colour: grey for 1 speed versions	With trigger, and spring
	>>140 8560 520	1	Cover rear, UL Colour: blue for 1 speed versions	With trigger, and spring
	140 8562 500	1	Cover rear, Colour:grey for 2 speed versions	With trigger, and spring For GDS & HDS versions.
4	140 8409 500	1	Chassis Colour: grey	
	>>140 8409 510	1	Chassis, UL approved Colour: grey	
	>>140 8409 520	1	Chassis, UL approved Colour: blue	

&gt;&gt; Means: New or changed ref. number or/and changed/new specifications



Item	Ref.No.	Qty.	Description	Note
1	140 8096 500	1	Switch	On-off /2 speed
2	140 7026 500	1	2 speed PCB 220-240V	For GDS and HDS versions
	140 7026 510	1	2 speed PCB 100-120V	For GDS and HDS versions
3	140 8497 500	1	Connector	Outlet for electro nozzle
	>>140 8497 520	1	Connector UL-approved	Outlet for electro nozzle

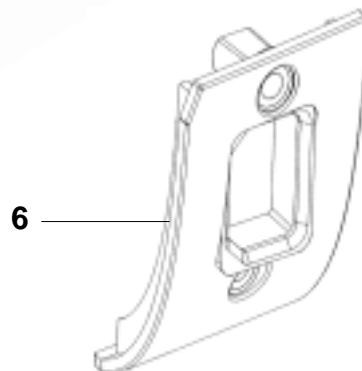
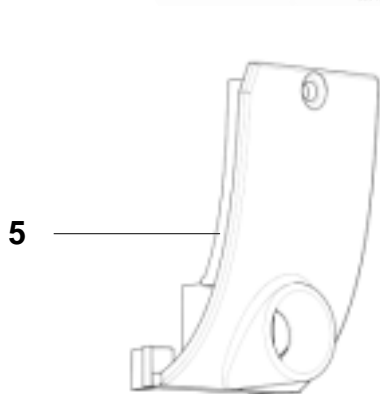
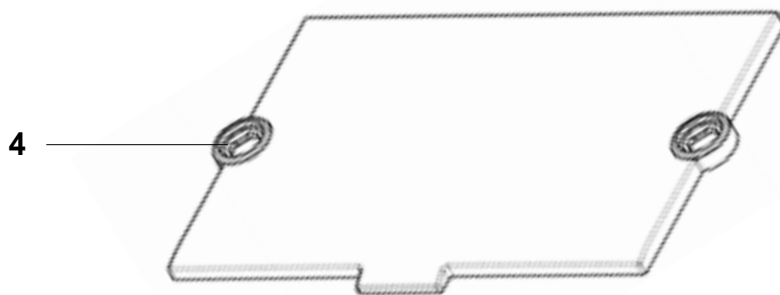
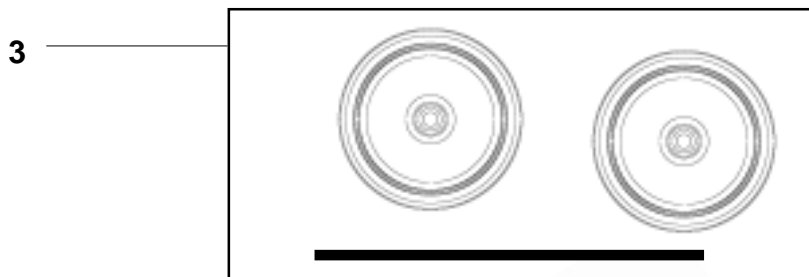
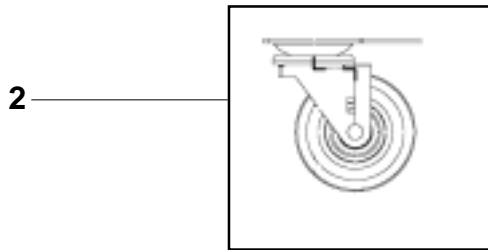
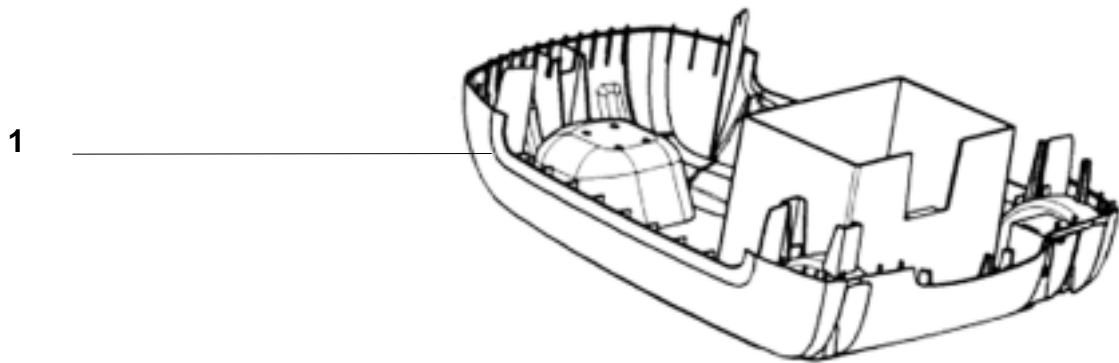
>> Means: New or changed ref. number or/and changed/new specifications.





**03-05****FILTER SERVICE KIT****BOOK B****FILTER, HEPA-FILTER AND SOUND SUPPRESSOR****B****4.6.3****9**

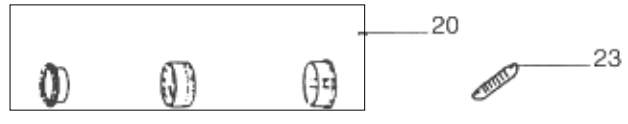
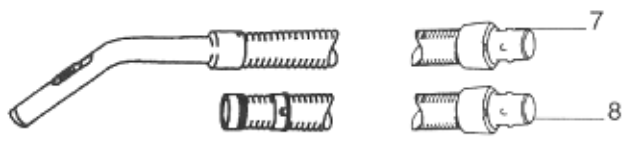
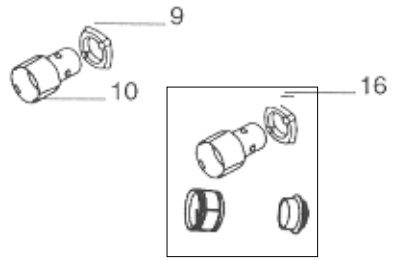
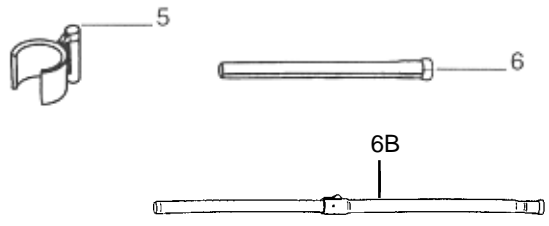
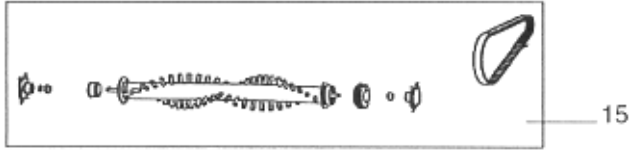
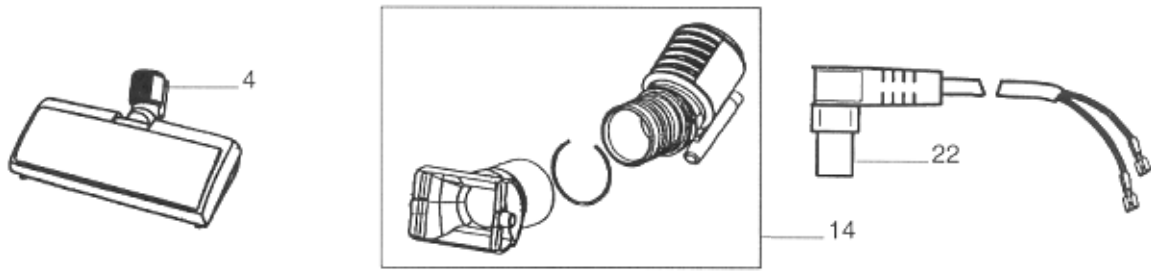
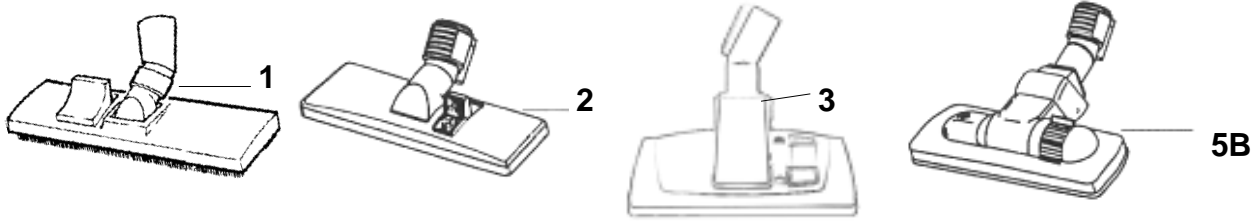
<b>Item</b>	<b>Ref.No.</b>	<b>Qty.</b>	<b>Description</b>	<b>Note</b>
1	140 8423 500	1	Sack filter unit	
2	140 8435 500	1	Main filter	
3	140 8436 500	5	Paper filter	5 pcs packed in plastic bag
4	140 8404 500	1	HEPA-filter, exhaust	Packed in cardboard box
5	140 8561 500	1	Silencer, exhaust	
6	140 8551 500	1	Motor filter	



**03-05****CONTAINER SERVICE KIT****BOOK B****03-09****CONTAINER BOTTOM PARTS****B****4.6.3****11**

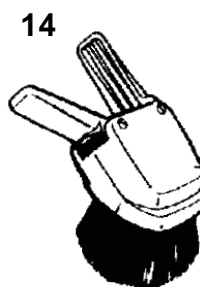
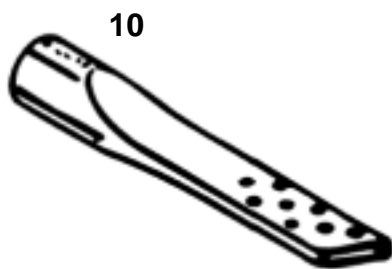
Item	Ref.No.	Qty.	Description	Note
1	140 8565 500	1	Lower Part	Basic version Colour: grey
	140 8566 500	1	Lower Part	F. power outlet Colour: grey
	140 8566 510	1	Lower Part	F. power outlet, UL-approv. Colour: grey
>>	140 8566 520	1	Lower part	F. power outlet, UL-approv. Colour: blue
	140 8567 500	1	Lower Part	F. detachable cord Colour: grey
	140 8568 500	1	Lower Part	F. power outlet & detachable cord Colour: grey
2	140 8445 500	1	Link Wheel	4 screws included
3	140 8446 500	1	Rear Wheels	Steel shaft included
4	140 8428 500	1	Lid, bottom part	Colour: Grey
>>	140 8428 510	1	Lid, bottom part	Colour: Blue
5	140 8430 500	1	Cover, protection sleeve	Colour: Grey
>>	140 8430 510	1	Cover, protection sleeve, UL-approved	Colour: Grey
>>	140 8430 520	1	Cover, protection sleeve, UL-approved	Colour: Blue
6	140 8577 500	1	Cover, protection sleeve	F. detachable cord set

>> Means: New or changed ref. number or/and changed/new specifications



Item	Ref.No.	Qty.	Description	Note
1	11980300	1	Combi dry nozzle w. parking clip colour: grey	Mat.: PP Width: 272 mm
2	12019401	1	Combi dry nozzle w. parking clip colour: grey	Mat.: PP Width: 306 mm
3	140 8492 510	1	Roller combi dry nozzle w. parking clip colour: grey/dark grey	Mat.: PP Width: 295 mm
4	12010100	1	Electro nozzle with parking clip 2832 colour: grey	Mat.: PPA, ABS Width: 280 mm
	82220700	1	Electro nozzle, 110-120V with parking clip 2832 colour: grey	Mat.: PPA, ABS Width: 280 mm <b>Not UL-approv.</b>
5B >>	12018503	1	Combi dry nozzle w. parking clip colour: grey	
14	22367500	1	Coupling for tube	
15	22365000	1	Brush & belt kit	
22	22201500	1	Cord, for electro nozzle	
5	12018201	1	Parking clip	Mat.: POM Colour:grey
6	11112401	1	Tube, length 560mm	Mat.: Steel
6B	81906500		Tube, telescopic	
7	12018001	1	Tapered hose Ø 32 mm, 2 m w. curved plast. tube, colour: silver	Mat.: PP; PE
8	22042401	1	Tapered hose & coupling only	Mat.: PP; PE
9	11542001	1	Gasket, colour: black	Mat.: EPDM
10	12018101	1	Hose coupler colour, dark grey	Mat.: PC
11	21640503	1	Curved Ø 32 mm plast.tube, Colour:grey	Mat.: PP
12	82367810	5	Dust bag packed 5 pcs. in plastic bag.	Mat.: Paper
12	140 8618 000		Dust bag packed 10 pcs. in plastic bag	Mat.: Paper
12	22251800	1	Cloth dust bag	With bag clip
12	140 8618 010		Dust bag for US/Can packed 10 pcs. in plastic bag	Mat.: Paper
23	22351000	1	Shutter, 5 pcs. in a plastic bag	
16	22366100	1	Hose coupling to inlet	
20	22350900	1	Hose coupling to inlet, kit for tapered hose	

>> Means: New or changed ref. number or/and changed/new specifications



Item	Ref.No.	Qty.	Description	Note
1	32043700	1	Upholstery nozzle, with insertion colour:grey	Plastic Width 130 mm, packed in a plastic bag
2	11276901	1	Round brush, turnable. 60% natural 40% nylon bristles, colour:grey	Width 70 mm, packed in a plastic bag
	22366000	1	Round brush, turnable. 100% natural bristles, colour:grey	Width 70 mm, packed in a plastic bag
	22103600	1	Round brush, turnable blue bristles, Polyester PBT colour:grey	Width 70 mm, for allergic applications
10	81530400	1	Crevice nozzle, width 245 mm colour:grey	Plastic
11	11530500	1	Brush for crevice nozzle	Plastic/steel
12	81140900	1	Flexible nozzle, length 150 mm colour:grey	Plastic packed in a plastic bag
13	010 3098 500	1	Crevice nozzle Plastic colour:black	packed in a plastic bag
14	011 3104 510	1	Small combi nozzle colour:black	Plastic/Bristles packed in a plastic bag