

PAPOOSE

MODELS HA500

HA500-5

FORM NO. 042021

REV. DEC. 1982

PARTS LIST



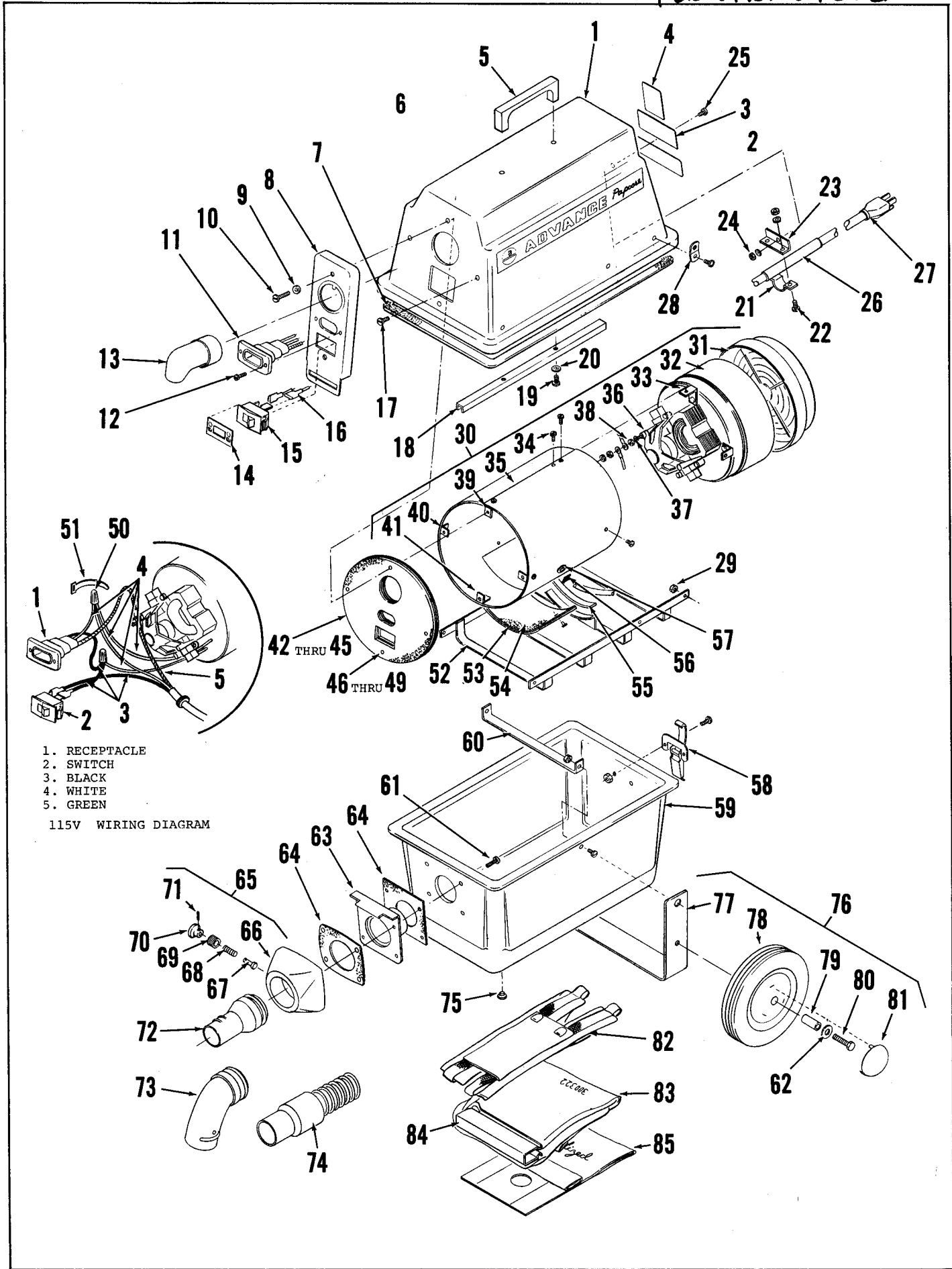
ADVANCE
MACHINE COMPANY

INTERNATIONAL HEADQUARTERS, Spring Park, Minnesota 55384 USA
EUROPE, 4 Rue Jean Engling, L-1466 Luxembourg
CANADA, 1295 Crestlawn Drive, Mississauga, Ontario L4W 1A9



Index for Form Number 042021

Description	Location	page
Cord & Switch, 230 Volt	D12	3
Motor, Vacuum	D13	4
Vacuum Assembly	D10	1



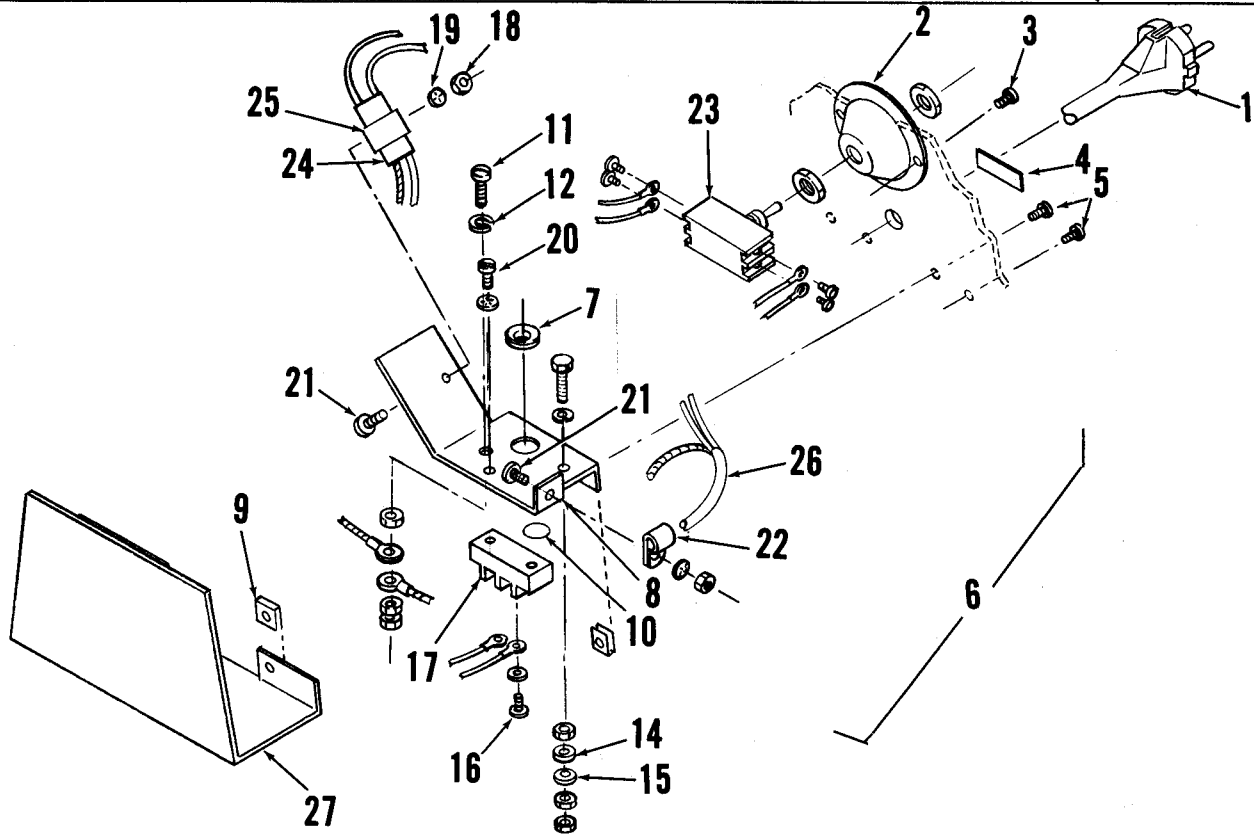
- 1. RECEPTACLE
- 2. SWITCH
- 3. BLACK
- 4. WHITE
- 5. GREEN

115V WIRING DIAGRAM

MAIN ASSEMBLY

MAIN ASSEMBLY

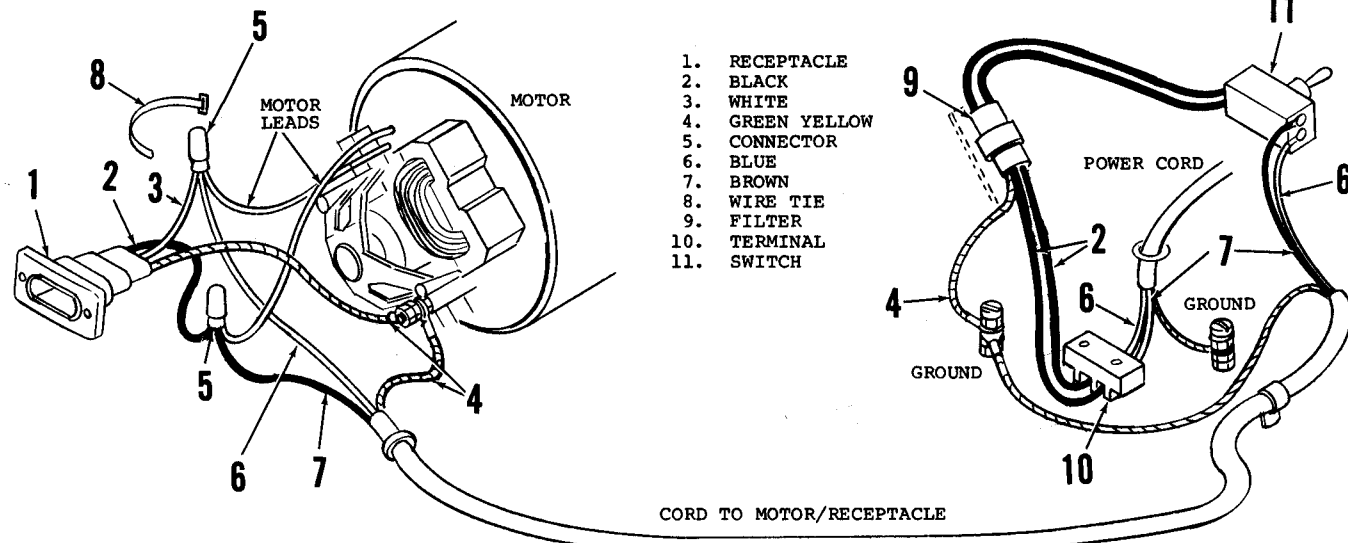
ITEM	PART NO	QTY	DESCRIPTION
1	301 346	1	HOUSING, 115V
	301 344	1	HOUSING, 230V
2	015 379	1	DECAL, WARNING
3	015 365	1	NAMEPLATE, ADVANCE 115V
	015 324	1	NAMEPLATE, ADVANCE 230V
4	015 314	1	DECAL, WARNING
5	300 101	1	HANDLE
6	015 332	2	DECAL, ADVANCE PAPOOSE
7	300 314	1	GASKET
8	301 374	1	PLATE ASSEMBLY, 115V
	301 312	1	PLATE ASSEMBLY, 230V
9		7	WASHER, SHAKEPROOF #8
10		2	SCREW, PAN HD. #8-32 x 1.50
11	301 370	1	RECEPTACLE ASSEMBLY
12	570 510	2	SCREW, BLK #6 x.375
13	300 802	1	DEFLECTOR
14	015 330	1	DECAL, ON-OFF 115V
15	325 140	1	SWITCH, ROCKER SPST 115V
16	330 884	1	WIRE ASSEMBLY, 115V
17		2	SCREW, PAN HD. #8-32 x.75
18	301 322	1	CHANNEL
19		10	SCREW, PAN HD. #10-24 x.50
20		2	WASHER, SHAKEPROOF #10
21	300 542	1	CLAMP, WIRE
22		2	SCREW, PAN HD. #8-32 x.50
23	171 434	1	BRACKET
24		6	NUT, HEX #8-32
25		6	SCREW, PAN HD. #8-32 x.375
26	301 396	1	STRAIN RELIEF
27	301 352	1	CORD SET ASSEMBLY, 115V
	300 227	1	CORD SET ASSEMBLY, 230V
28	300 225	1	BRACKET
29		8	NUT, HEX #10-24
30	301 362	1	VAC MOTOR ASS'Y. 115V (INCLS: ITEMS 30-41)
	301 382	1	VAC MOTOR ASS'Y. 230V (INCLS: ITEMS 30-41)
31	384 898	1	FILTER, VAC
32	300 381	1	VAC MOTOR, 115V
	300 411	1	VAC MOTOR, 230V
33	300 535	1	BRACKET, END
34		3	SCREW, PAN HD. #6-32 x.25
35	301 338	1	SHIELD, VAC MOTOR
36		1	SCREW, SOCKET SET #6-32 x 1.00
37		1	WASHER, SHAKEPROOF #6
38		4	NUT, #6-32
39	300 519	1	BRACKET, TOP
40	300 527	2	BRACKET, SIDES
41	300 500	1	BRACKET, BOTTOM
42	301 386	1	GASKET & PLATE ASSEMBLY 115V (INCLS: ITEMS 42-45)
43	301 380	1	PLATE WELDMENT
44	200 754	1	GASKET
45	301 358	1	FOAM, SOUND REDUCING
46	301 394	1	GASKET & PLATE ASSEMBLY 230V (INCLS: ITEMS 46-49)
47	301 354	1	PLATE WELDMENT
48	200 754	1	GASKET
49	301 340	1	FOAM, SOUND REDUCING
50	321 737	2	NUT WIRS
51	478 246	1	TIE, CABLE
52	301 368	1	BASKET
53	301 348	1	COVER
54	301 350	1	GASKET, COVER
55	320 099	1	GASKET
56	320 358	1	STRAIN RELIEF
57	301 308	1	GROMMET, 115V
	570 206	1	GROMMET, 230V
58	371 181	1	LATCH ASSEMBLY
59	301 330	1	HOUSING, BOTTOM
60	300 098	1	BRACKET
61	209 519	4	SCREW, PAN HD. S.T. #10-24 x.75
62		2	WASHER, 5/16
63	301 306	1	PLATE & TUBE ASSEMBLY
64	201 290	2	GASKET
65	201 386	1	COUPLER W/LOCK ASSEMBLY (INCLS: ITEMS 65-71)
66	201 377	1	CONNECTOR
67	201 391	1	PIN
68	201 448	1	SPRING
69	201 383	1	SOCKET
70	201 405	1	KNOB
71	201 472	1	PIN
72	301 332	1	COUPLER, 1 1/2"
73	370 592	1	HOSE, ADAPTOR
74	300 853	1	HOSE ASSEMBLY, 1.50 x 48.00
75	300 829	4	RIVET, WEAR PAD
76	300 284	1	WHEEL ASSEMBLY (INCLS: ITEMS 76-81, 62)
77	300 268	1	BRACKET
78	300 233	2	WHEEL
79	300 241	2	SPACER
80		2	SCREW, HEX HD. CAP 5/16-18 x 1.50 W/LKW.
81	300 276	2	CAP, HUB
82	590 312	1	SHOULDER HARNESS
83	300 322	1	BAG, COLLECTOR
84	320 676	1	CLAMP, BAG
85	300 349	1	BAG, DISPOSABLE (PACK OF 10)
86	245 053	1	WIRE ASSEMBLY, #14 x 8.00 (NOT SHOWN)
87	330 884	1	WIRE ASSEMBLY, 115V (NOT SHOWN)



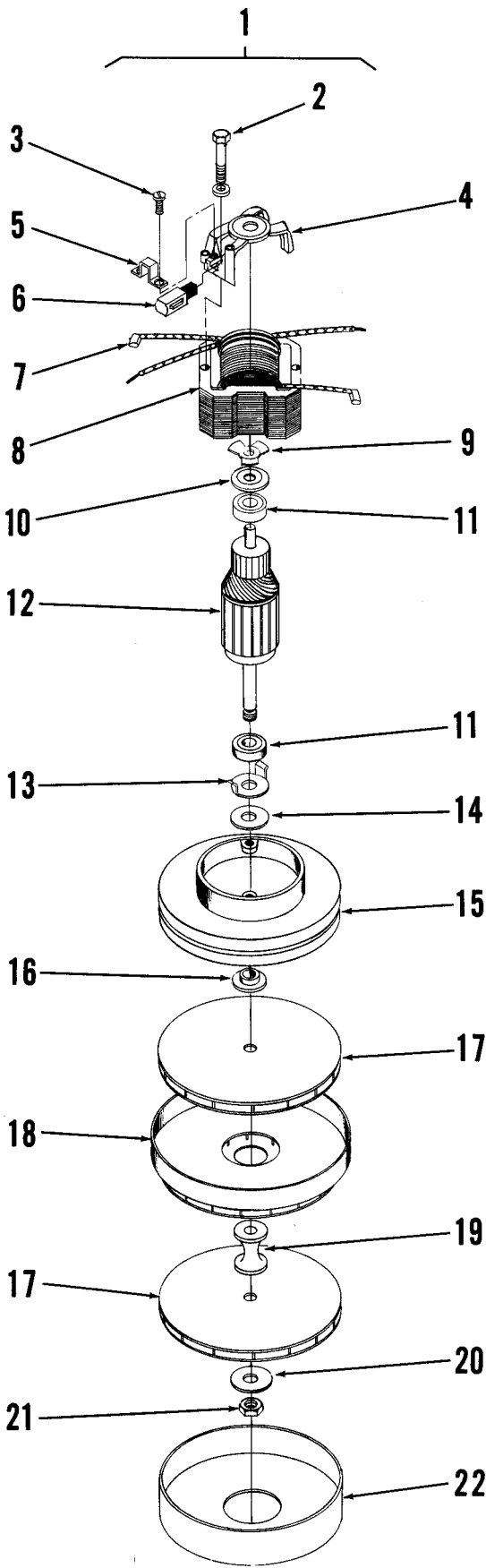
MODEL 500-5 230V Only

ITEM	PART NO	QTY	DESCRIPTION	ITEM	PART NO	QTY	DESCRIPTION
1	300 227	1	CORD ASSEMBLY	16	290 574	2	SCREW/WASHER
2	301 320	1	GUARD, SWITCH	17	290 572	1	TERMINAL BLOCK
3		4	SCREW, PAN HD. #6-32 x .375	18		2	NUT, #10-32
4	015 080	1	DECAL, ON-OFF	19		4	WASHER, SHAKEPROOF #10
5		5	SCREW, #8-32 x .375	20		2	SCREW, PAN HD. S.T. #10-24 x.50
6	301 326	1	HARNES ASS'Y, (INCLS: ITEMS 7-26)	21		2	SCREW, PAN HD. #10-32 x.50
7	163 007	1	GROMMET	22	300 152	1	CLAMP, CORD
8	301 318	1	PLATE	23	301 636	1	SWITCH
9	255 874	2	NUT, SPRING #8-32	24	328 067	1	FILTER RFI
10	014 119	1	DECAL, GROUND SYMBOL	25	328 064	1	CLAMP
11		2	SCREW, PAN HD. #8-32 x .75	26	301 314	1	CORD ASSEMBLY
12		4	WASHER, SHAKEPROOF #8	27	301 392	1	PROTECTOR, ASSEMBLY
13		6	NUT, #8-32				
14	325 274	1	WASHER, CUPPED				
15	325 276	1	WASHER, SIMPSON #8				

WIRING DIAGRAM 230V Only



VACUUM MOTOR



ITEM	PART NO	QTY	DESCRIPTION
1	300381	1	MOTOR, VAC 115V
	300411	1	MOTOR, VAC 230V
2	203494	2	SCREW
3	203263	4	SCREW
4	207234	1	BRACKET, COMMUTATOR END 115V
	300406	1	BRACKET, COMMUTATOR END 230V
5	207285	2	CLAMP, BRUSH
6	203518	1 SET	BRUSH MECHANISM
7	203584	2	CLIP, 230V
	203557	1	FIELD, 115V
8		1	FIELD, 230V
9	202843	1	SPRING, LOAD 115V
10	203513	1	DISC, 115V
	228051	2	BEARING
11	228051	1	BEARING 230V
12	203549	1	ARMATURE
13	203471	1	WASHER, CLAMPING
14	203459	1	WASHER, FELT
	301184	1	BRACKET & SHELL ASSEMBLY 115V
15	301184	1	BRACKET & SHELL ASSEMBLY
16	203424	1	SPACER
17	208191	4	FAN, ROTATING
18	207268	1	FAN, STATIONARY
19	203516	1	SPACER
20	203432	1	WASHER
21	203440	1	NUT
22	203491	1	SHELL, FAN