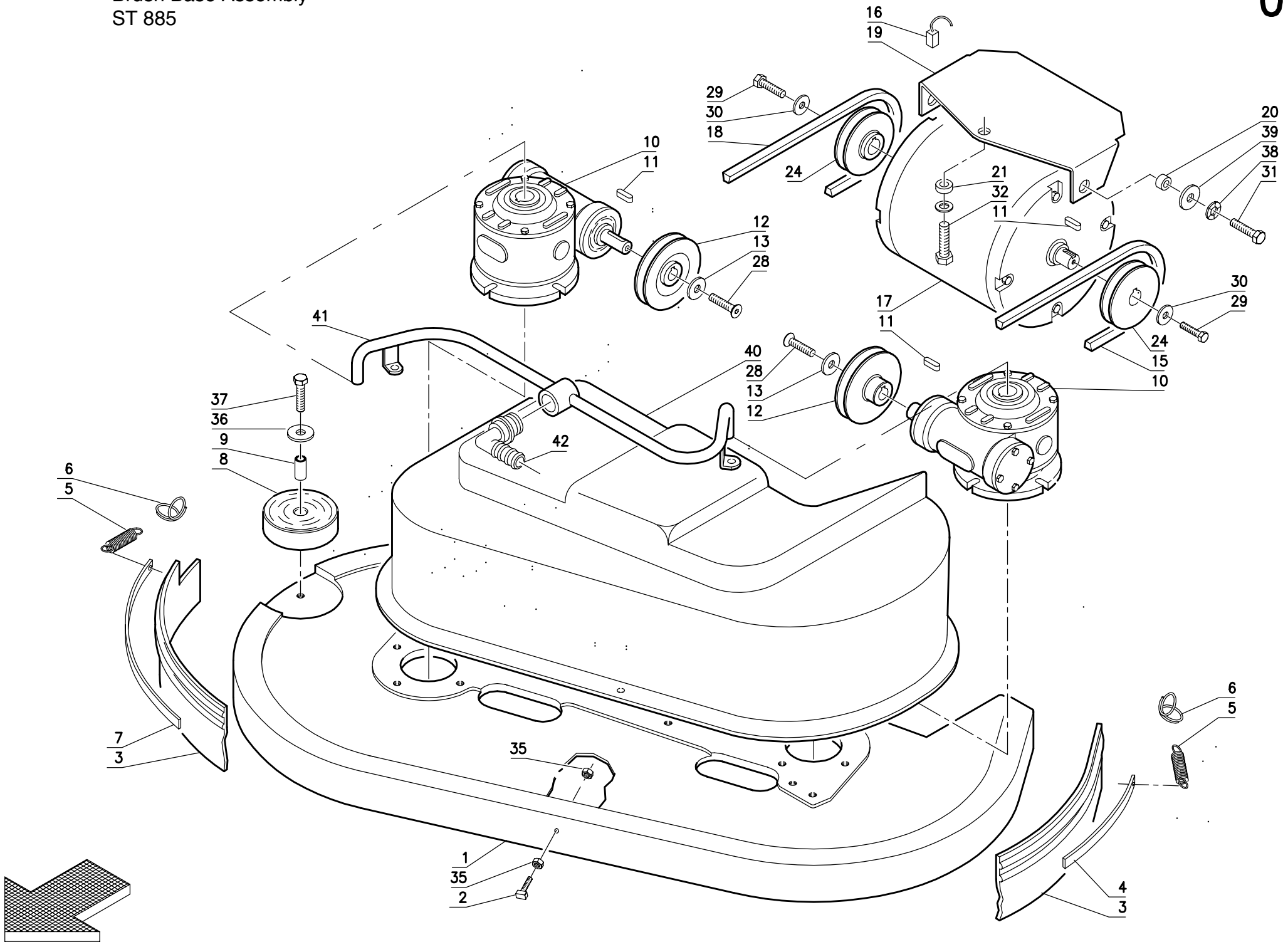


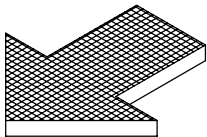
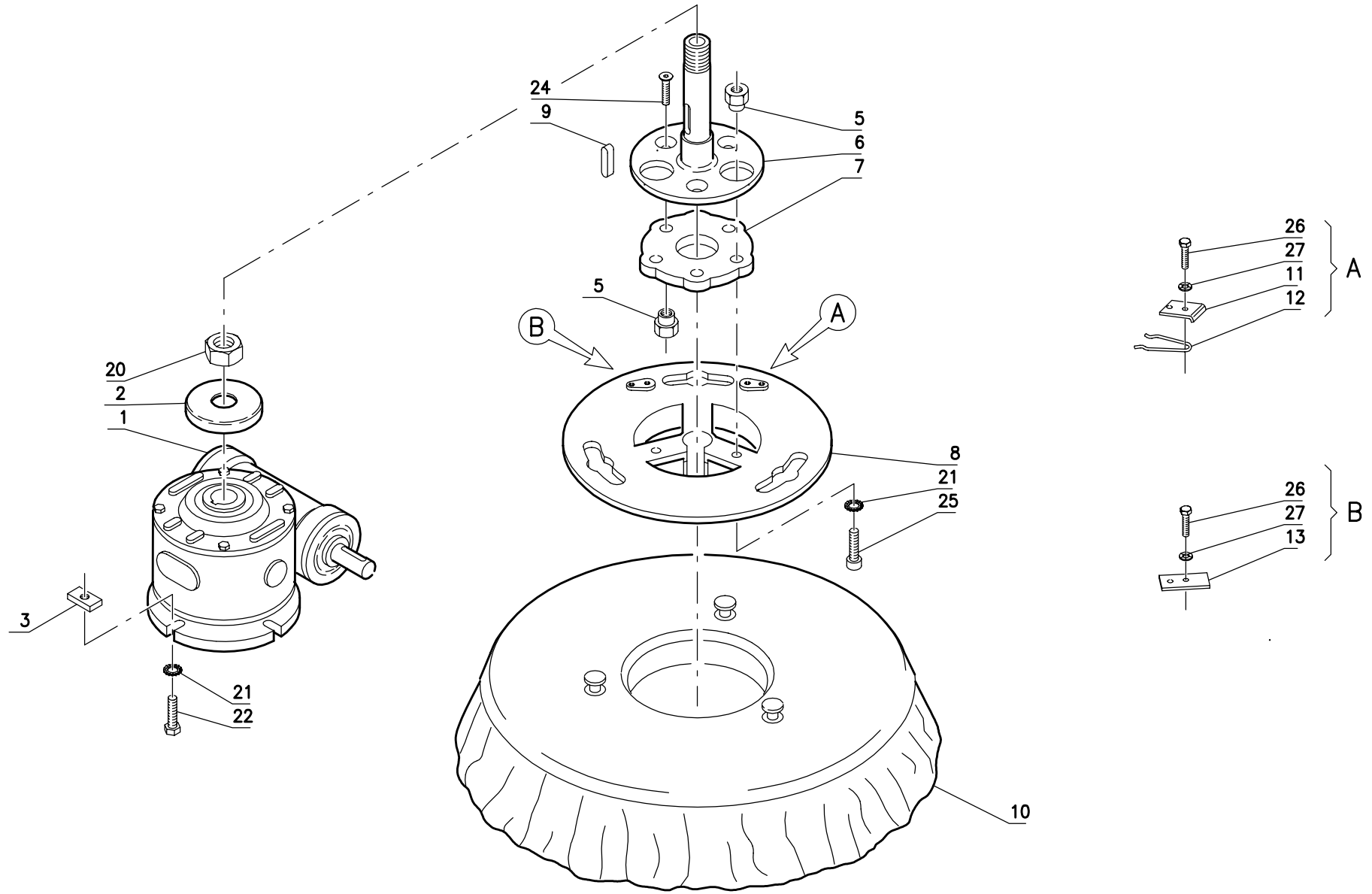
| Item # | Part Number | Description | Description |
|--------|----------------|-------------------------|-------------------|
| 1 | E9815010 | BRUSHES BASE | EMBASE DES BROSE |
| 2 | R1501050 | SPECIAL SCREW | VIS SPECIALE |
| 3 | E7607030 | SPLASH GUARD | BAVETTE |
| 4 | R1501240 | LEFT BLADE | PLAQUETTE GAUCHE |
| 5 | E9220080 | SPRING | RESSORT |
| 6 | R0801200 | RING | ANNEAU |
| 7 | R1501250 | RIGHT BLADE | PLAQUETTE DROITE |
| 8 | E7020040 | WHEEL | ROUE |
| 9 | E9102030 | BUSHING | BAGUE |
| 10 | E8600040 | REDUCTION GEAR ASSEMBLY | REDUCTEUR COMPLET |
| 11 | T0405051 | KEY | CLAVETTE |
| 12 | E9410040 | PULLEY | POU LIE |
| 13 | R1501030 | SPECIAL WASHER | RONDELLE SPECIALE |
| 14 | R1501180 | STUD BOLT | VIS BE FIXATION |
| 15 | E9015010 | SPACER | ENTRETOISE |
| 16 | R1501160 | ELASTIC PLATE COUPLING | BISQUE ELASTIQUE |
| 17 | R1501230 | SHAFT | ARBRE |
| 18 | R1501150 | STUD BOLT | VIS DE FIXATION |
| 19 | R1501220 | SPECIAL SCREW | VIS SPECIALE |
| 20 | R1501170 | REDUCTION GEAR HUB | MOYEU REDUCTEUR |
| 25 | T0110018 | BELT | PROTECTION |
| 26 | E9410030 | PULLEY | POU LIE |
| 27 | E8230190 | MOTOR | MOTEUR |
| 28 | T1710181 | CARBON BRUSH MOTOR | CHARBON MOTEUR |
| 29 | R1516080 | LEFT SUPPORT | SUPPORT GAUCHE |
| 29A | R1516070 | RIGHT SUPPORT | SUPPORT DROITE |
| 30 | E9102090 | BUSHING | BAGUE |
| 35 | obtain locally | NUT | ECROU |
| 36 | T1108001 | WASHER | RONDELLE |
| 37 | T0910803 | SCREW | VIS |
| 38 | E9000090 | SPECIAL WASHER | RONDELLE SPECIALE |
| 39 | obtain locally | SCREW | VIS |
| 40 | T1060801 | NUT | ECROU |
| 41 | T1010601 | NUT | ECROU |
| 42 | obtain locally | DOWEL | VIS CYLINDRIQUE |
| 43 | obtain locally | WASHER | ROND ELLE |
| 44 | obtain locally | LOCK WASHER | RONDELLE FREIN |
| 45 | T0910606 | SCREW | VIS |
| 46 | T0910808 | SCREW | VIS |
| 47 | T1308001 | LOCK WASHER | RONDELLE FREIN |
| 48 | T1108007 | WASHER | BOND ELLE |
| 49 | R1501010 | BASE COVER | PROTECTION |
| 50 | R1501210 | PIPE | TUBE |
| 51 | T4520002 | CONNECTOR | RACCORD |

Brush Base Assembly
ST 885

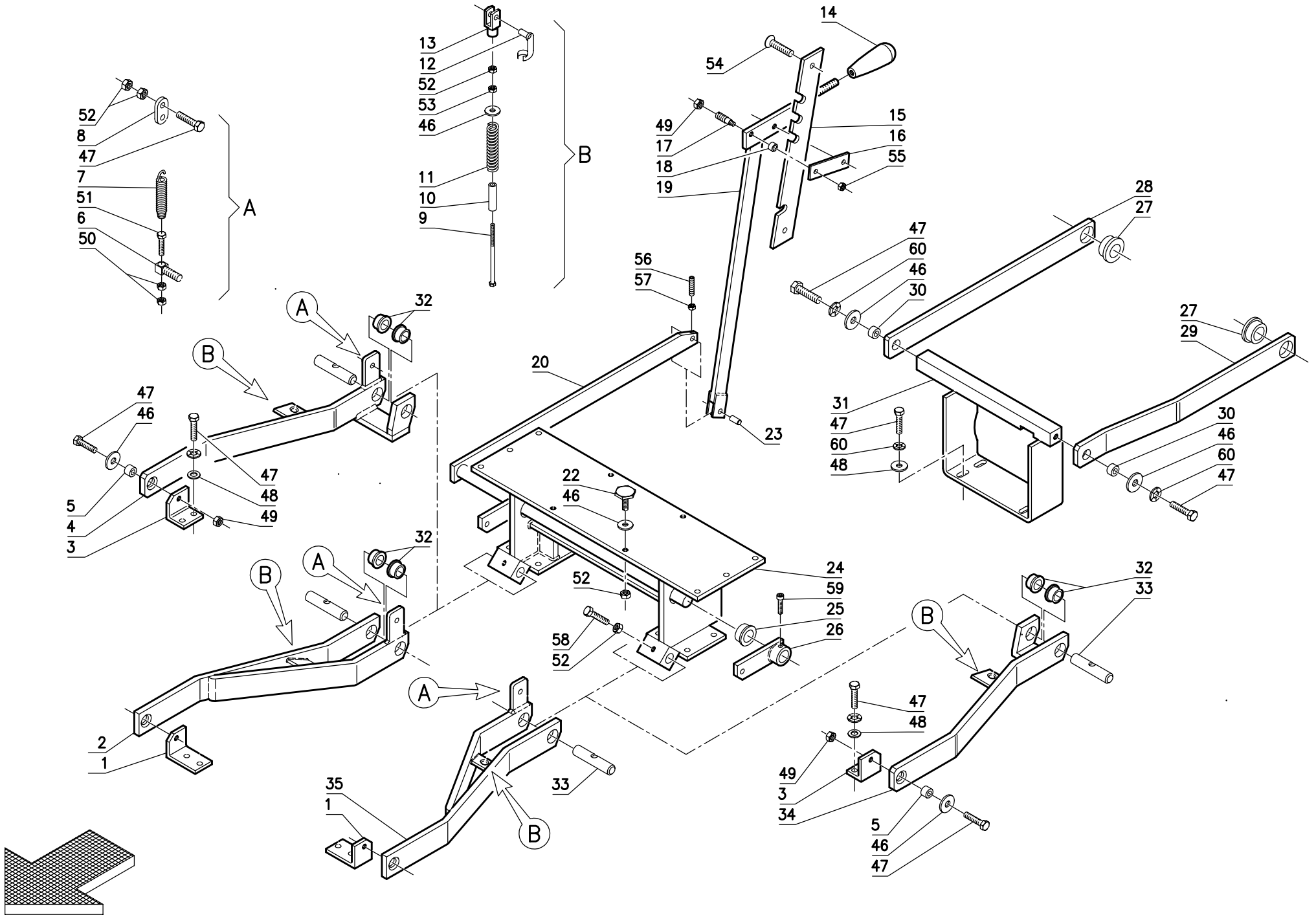
01B



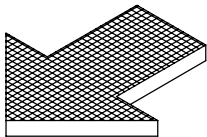
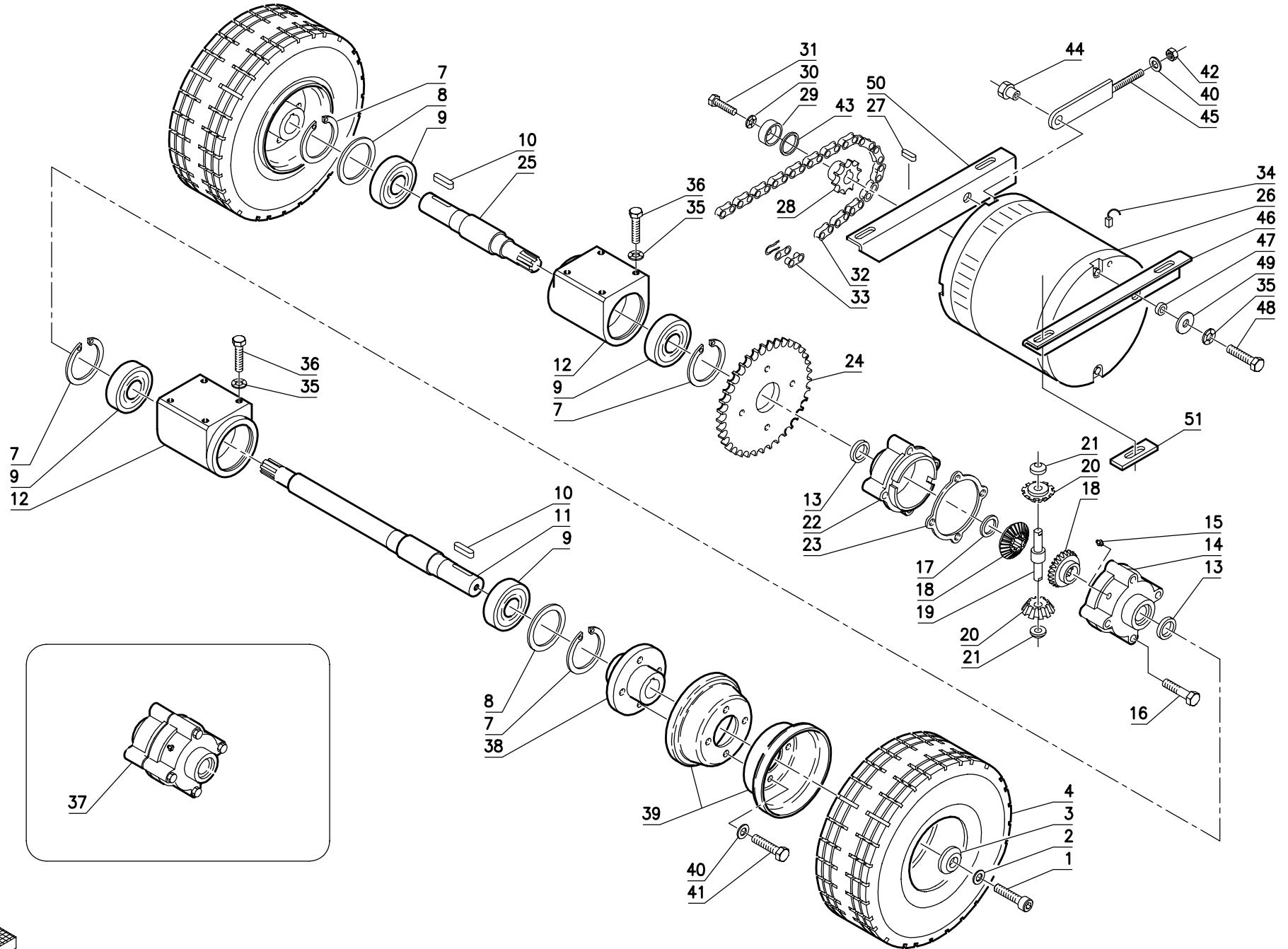
| Item # | Part Number | Description | Description |
|--------|----------------|-------------------------|--------------------|
| 1 | E9818010 | BRUSHES BASE | EMBASE DES BROSE |
| 2 | R1501050 | SPECIAL SCREW | VIS SPECIALE |
| 3 | E7603030 | SPLASH GUARD | BAVETTE |
| 4 | R0301050 | LEFT BLADE | PLAQUETTE GAUCHE |
| 5 | E9220080 | SPRING | RESSORT |
| 6 | R0801200 | RING | ANNEAU |
| 7 | R0301060 | RIGHT BLADE | PLAQUE FINE DROITE |
| 8 | E7020040 | WHEEL | ROUE |
| 9 | E9102030 | BUSHING | BAGUE |
| 10 | E8600040 | REDUCTION GEAR ASSEMBLY | REDUCTEUR COMPLET |
| 11 | T0405051 | KEY | CLAVETTE |
| 12 | E9410060 | PULLEY | POULIE |
| 13 | R1501030 | SPECIAL WASHER | RONDELLE SPECIALE |
| 15 | T0110021 | BELT | PROTECTION |
| 16 | T1710181 | CARBON BRUSH MOTOR | CHARBON MOTEUR |
| 17 | E8230150 | MOTOR | MOTEUR |
| 18 | T0110019 | BELT | PROTECTION |
| 19 | R1816010 | SUPPORT | SUPPORT |
| 20 | E9102090 | BUSHING | BAGUE |
| 21 | E9107030 | BUSHING | BAGUE |
| 24 | E9410050 | PULLEY | POULIE |
| 28 | obtain locally | SCREW | VIS |
| 29 | T0910606 | SCREW | VIS |
| 30 | T1106007 | WASHER | RONDELLE |
| 31 | T0910808 | SCREW | VIS |
| 32 | obtain locally | SCREW | V'S |
| 35 | obtain locally | NUT | ECROU |
| 36 | T1108001 | WASHER | RONDELLE |
| 37 | T0910803 | SCREW | V'S |
| 38 | T1308001 | WASHER | RONDELLE |
| 39 | T1108002 | WASHER | RONDELLE |
| 40 | R1801010 | BASE COVER | PROTECTION |
| 41 | R0301070 | PIPE | TUBE |
| 42 | T4520002 | CONNECTOR | RACCORD |



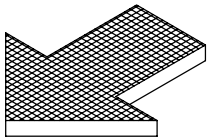
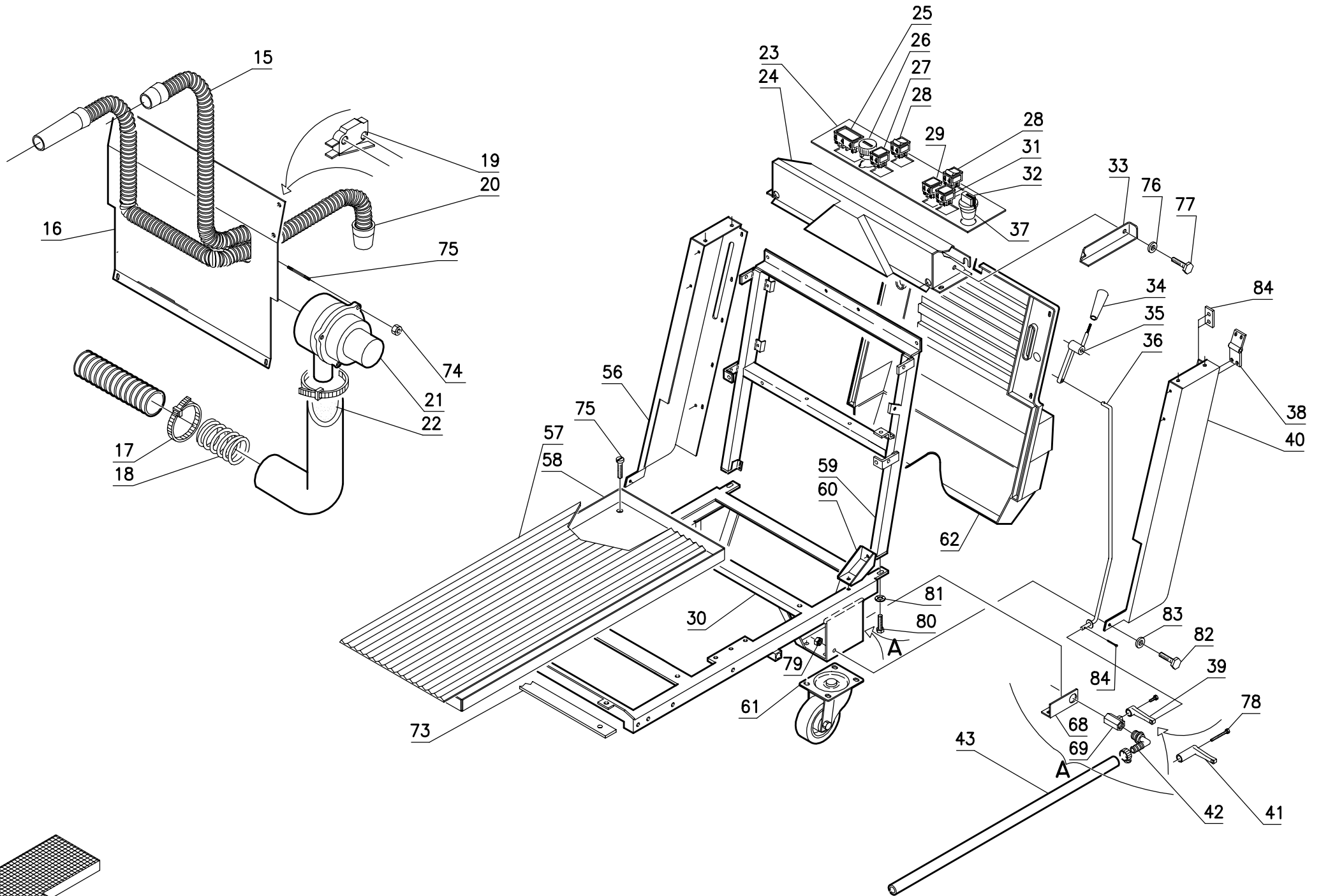
| Item # | Part Number | Description | Description |
|--------|-------------|-------------------------|------------------------|
| 1 | E8600040 | REDUCTION GEAR ASSEMBLY | REDUCTEUR COMPLET |
| 2 | R1501060 | CAP | RONDELLE DE PROTECTION |
| 3 | R1501070 | SPECIAL NUT | ECROU ESPECIALE |
| 5 | E9101040 | BUSHING | BAGUE |
| 6 | R1501040 | SHAFT | ARBRE |
| 7 | R0101070 | FLEXIBLE COUPLING | ENTRAINEMENT ELASTIQUE |
| 8 | R0101090 | PLATE | PLATEAU |
| 9 | T0408072 | KEY | PLAQUETTE |
| 10 | various | BRUSH | BROSSE |
| 11 | R0101110 | BLADE | PLAQUETTE |
| 12 | E9230060 | SPRING | RESSORT |
| 13 | R0101100 | STOP | BUTEE |
| 20 | T1012401 | NUT | ECROU |
| 21 | T1308001 | LOCK WASHER | RONDELLE FREIN |
| 22 | T0980809 | SCREW | VIS |
| 24 | T098009 | SCREW | VIS |
| 25 | T0930803 | SCREW | VIS |
| 26 | T0910504 | SCREW | VIS |
| 27 | T1305001 | LOCK WASHER | RONDELLE FREIN |



| Item # | Part Number | Description | Description | |
|--------|----------------|---------------|--------------------|-------------|
| 1 | R1801020 | SUPPORT | SUPPORT | ST 885 only |
| 2 | R1801050 | ARM | BRAS | ST 885 only |
| 3 | R1501190 | SUPPORT | SUPPORT | ST 875 only |
| 4 | R1501260 | ARM | BRAS | ST 875 only |
| 5 | E9100190 | BUSHING | BAGUE | |
| 6 | R1501310 | SPECIAL SCREW | VIS SPECIALE | ST 875 only |
| 6A | R1801080 | SPECIAL SCREW | VIS SPEC ALE | ST 885 only |
| 7 | E9220140 | SPRING | RESSORT | ST 875 only |
| 7A | E9220140 | SPRING | RESSORT | ST 885 only |
| 8 | R0701280 | COUPLING | ATTAQUE | |
| 9 | R1501080 | SPECIAL SCREW | VIS SPECIALE | |
| 10 | R1501090 | PIPE | TUBE | |
| 11 | E9210210 | SPRING | RESSORI | |
| 12 | T4620003 | PIN | AXE | |
| 13 | T4610001 | FORK | CHAPPE | |
| 14 | T4100015 | KNOB | POIGNEE | |
| 15 | R1516020 | BLADE | PLAQUE1TE | |
| 16 | R1516010 | PLAQUE | PLAQUETTE | |
| 17 | R1516040 | PIN | AXE | |
| 18 | R0316060 | ROLLER | GALET | |
| 19 | R1501110 | LEVER | LEVIER | |
| 20 | R1501300 | SHAFT | ARBRE | ST 875 only |
| 20A | R1801070 | SHAFT | ARBRE | ST 885 only |
| 22 | R1816020 | ADJUSTER | REGISTRE | ST 885 only |
| 23 | R1501110 | PIN | AXE | |
| 24 | E9915020 | SUPPORT | SUPPORT | ST 875 only |
| 24A | E9918020 | SUPPORT | SUPPORT | ST 885 only |
| 25 | E9115030 | BUSHING | BAGUE | |
| 26 | R1501140 | LEVER | LEVIER | |
| 27 | E9115020 | BUSHING | BAGUE | |
| 28 | R1501100 | ARM | BRAS | |
| 29 | R1501290 | ARM | BRAS | ST 875 only |
| 29A | R1501100 | ARM | BRAS | ST 885 only |
| 30 | E9102090 | BUSHING | BAGUE | |
| 31 | R1501200 | SUPPORT | SUPPORT | ST 875 only |
| 31A | R1801030 | SUPPORT | SUPPORT | ST 885 only |
| 32 | E9102100 | BUSHING | BAG U E | |
| 33 | R1501130 | PIN | AXE | |
| 34 | R1501270 | ARM | BRAS | ST 875 only |
| 35 | R1801060 | ARM | BRAS | ST 885 only |
| 46 | T1108002 | WASHER | RON DELLE | |
| 47 | T0910806 | SCREW | VIS | |
| 48 | T1108001 | WASHER | RON DELLE | |
| 49 | T1060801 | NUT | ECROU | |
| 50 | T1010601 | NUT | ECROU | |
| 51 | T0910621 | SCREW | VIS | |
| 52 | obtain locally | NUT | ECROU | |
| 53 | T1020802 | LOCK NUT | ECROU AUTOBLOQUANT | |
| 54 | T0980809 | SCREW | VIS | |
| 55 | T1060501 | NUT | ECROU | |
| 56 | obtain locally | DOWEL | VIS CYLINDRIQUE | |
| 57 | T1010403 | NUT | ECROU | |
| 58 | T0910802 | SCREW | VIS | |
| 59 | obtain locally | SCREW | VIS | |
| 60 | T1308001 | WASHER | RON DELLE | |

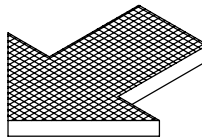
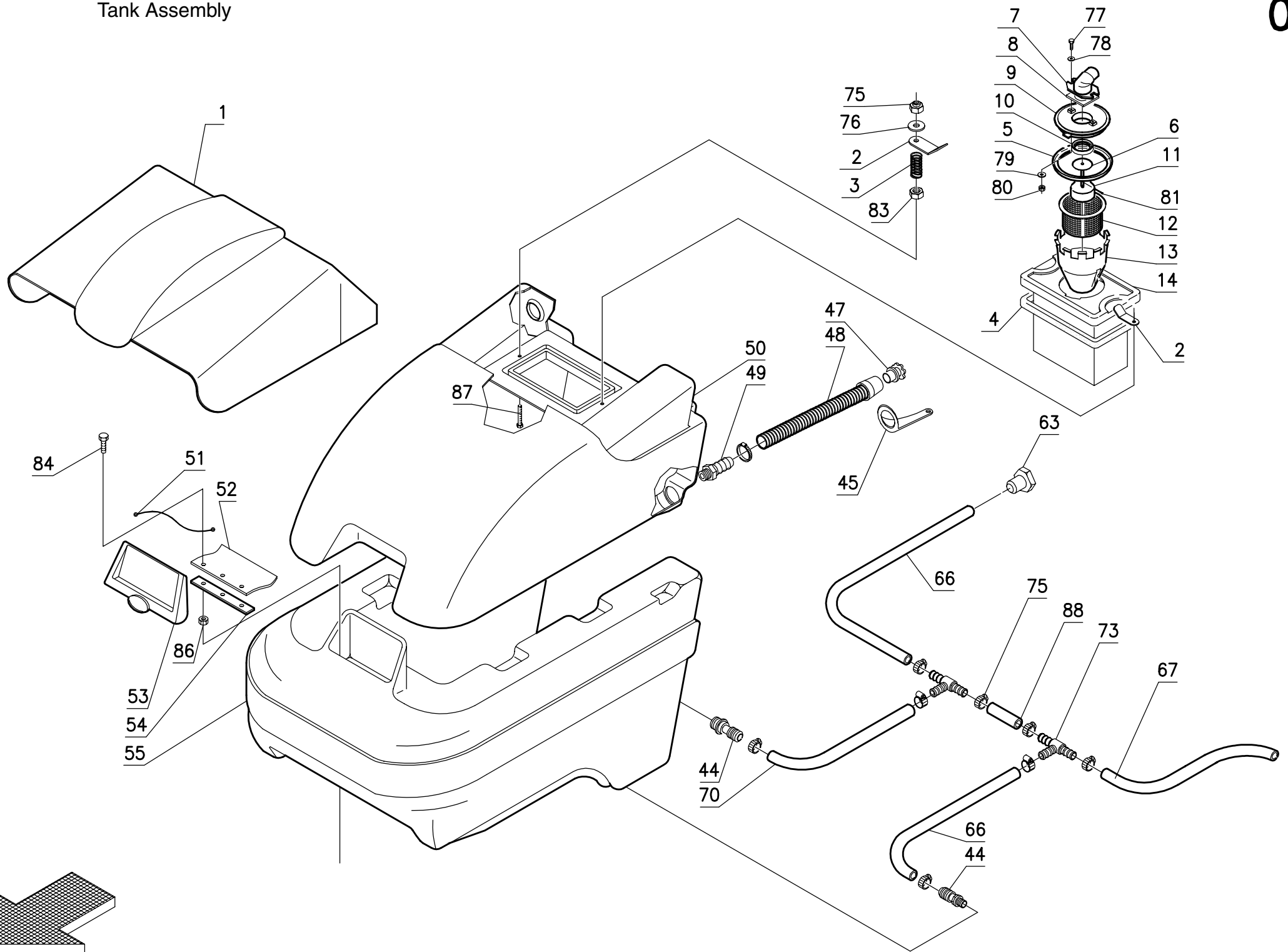


| Item # | Part Number | Description | Description | |
|--------|----------------|----------------------------|-----------------------|-------------|
| 1 | T0930803 | SCREW | VIS | |
| 2 | T1108014 | WASHER | RON DELLE | |
| 3 | R0316070 | SPECIAL WASHER | POND ELLE SPEC ALE | |
| 4 | E7030150 | RUBBER WHEEL | ROUE CAOUTCHOUC | |
| 4A | | POLYURETHANE WHEEL | ROUE POLYURETHANE | |
| 7 | T0210009 | SEEGER RING | SERRE CLIPS | |
| 8 | obtain locally | SHIM | EPA! SSEU P | |
| 9 | T0512501 | BEARING | ROULEMENT | |
| 10 | T0406062 | KEY | CLAVETTE | |
| 11 | E8903020 | AXLE-SHAFT LEFT | DEMI-ASSIEU GAUCHE | ST 885 only |
| 11A | E8915010 | AXLE-SHAFT LEFT | DEMI-ASSIEU GAUCHE | ST 875 only |
| 12 | R1517010 | SUPPORT | SUPPORT | |
| 13 | T0720281 | OIL SEAL | JOINT PAULSTRA | |
| 14 | R0117070 | DIFFERENTIAL HOUSING, LEFT | BOITIER DIFF. GAUCHE | |
| 15 | T4700001 | GREASE NIPPLE | GRASSEUR | |
| 16 | T0910810 | SCREW | VIS | |
| 17 | T1228001 | SHIM | EPA! SSEU P | |
| 18 | E9350010 | CROWN WHEEL | PLANETAIRE | |
| 19 | R0617010 | PIN | AXE | |
| 20 | E9350020 | PLANETARY GEAR | SATELLITE | |
| 21 | R0117060 | SPECIAL WASHER | RONDELLE SPECIALE | |
| 22 | R0117040 | DIFFERENTIAL HOUSING, LEFT | BOITIER DIFF. GAUCHE | |
| 23 | E7400040 | GASKET | JOINT | |
| 24 | E9330050 | CROWN GEAR | COURONNE | |
| 25 | E8903030 | AXEL-SHAFT RIGHT | SEMI-ASSIEU DROITE | |
| 26 | E8230050 | MOTOR | MOTEUR | |
| 27 | T0405051 | KEY | CLAVETTE | |
| 28 | E9310030 | PINION | PIGNON | |
| 29 | E9100180 | BUSHING | BAGUE | |
| 30 | obtain locally | WASHER | RONDELLE | |
| 31 | T0910606 | SCREW | VIS | |
| 32 | T0300009 | CHAIN | CHAINE | |
| 33 | T0300002 | JOINT CHAIN | ATTACHE RAPIDE CHAINE | |
| 35 | T1308001 | WASHER | POND ELLE | |
| 36 | obtain locally | SCREW | VIS | |
| 37 | M2170001 | DIFFERENTIAL HOUSING | BOITIER DIFF. | |
| 38 | E6920010 | WHEEL HUB | MOYEU ROUE | |
| 39 | E6910010 | SEMI-DISC | DEMI-DISQUE | |
| 40 | T1108001 | WASHER | RON DELLE | |
| 41 | T0930803 | SCREW | V'S | |
| 42 | T1020802 | LOCK NUT | ECROU AUTOBLOQUANT | |
| 44 | E9107020 | BUSHING | BAGUE | |
| 43 | E9000090 | SPACER | ENTRETOISE | |
| 45 | R0630020 | TIE-ROD | TIGE | |
| 46 | R1830010 | LEFT SUPPORT | SUPPORT GAUCHE | ST 885 only |
| 46A | R1516100 | LEFT SUPPORT | SUPPORT GAUCHE | ST 875 only |
| 47 | E9107030 | BUSHING | BAGUE | |
| 48 | T0910801 | SCREW | VIS | |
| 49 | T1108002 | WASHER | POND ELLE | |
| 50 | R1516050 | RIGHT SUPPORT MOTOR | CHARBON MOTEUR | |
| 51 | R0130030 | PLAQUE | PLAQUETTE | |



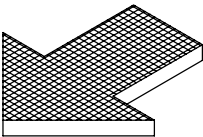
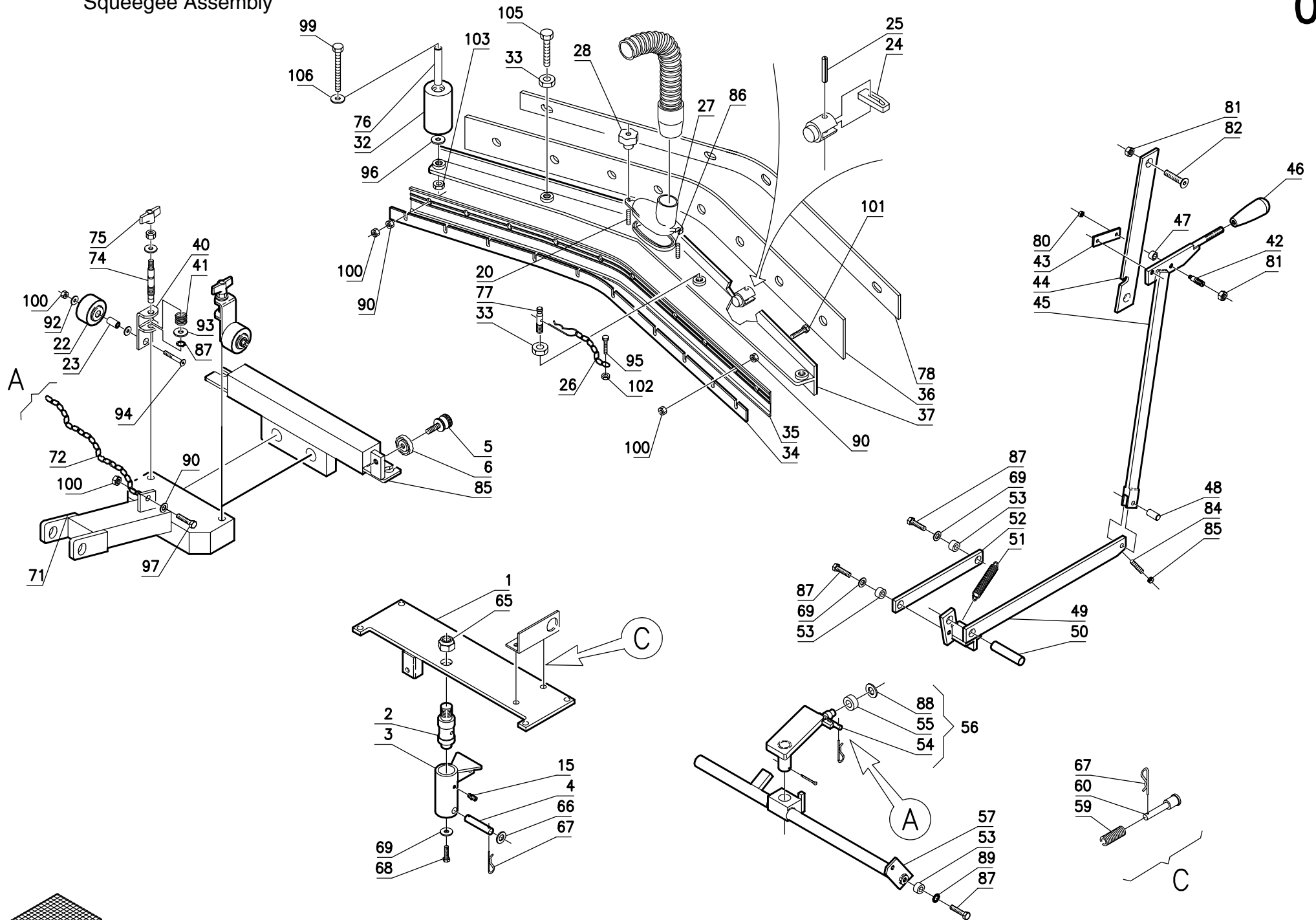
| Item # | Part Number | Description | Description | |
|--------|----------------|-------------------|----------------------------|-------------|
| 15 | E7510020 | HOSE | TUYAU | |
| 16 | R1546070 | CENTRAL PANEL | PANNEAU CENTRAL | ST 875 only |
| 16 | R1846020 | CENTRAL PANEL | PANNEAU CENTRAL | ST 885 only |
| 17 | E7530030 | PIPE | TUBE | |
| 18 | E9230070 | SPRING | RESSORT | |
| 19 | T2105006 | MICROSWITCH | MICRO INTERRUPTEUR | |
| 20 | E7510460 | SUCTION HOSE | TUYAU D'ASPIRATION | |
| 21 | M2810050 | SUCTION MOTOR | MOTEUR D'ASPIRATION | |
| 22 | E7530010 | DEADENING HOSE | TUYAU ISOLANT PHONIQUE | |
| 23 | E6410116 | LABEL | ETIQUETTE | |
| 24 | R1546060 | INSTRUMENT BOARD | TABLEAU DE BORD | |
| 25 | T2904004 | HOUR METER | COMPTEUR HORAIRE | |
| 26 | T2199008 | SWITCH | INTER RU PTEUR | |
| 27 | T2300140 | SIGNAL LAMP | TEMOIN | |
| 28 | T2102001 | SWITCH | INTERRUPTEUR | |
| 29 | T2300130 | DISPLAY | INDICATEUR | |
| 30 | E9915010 | FRAME | CHASSIS | ST 875 only |
| 30 | E9918010 | FRAME | CHASSIS | ST 885 only |
| 31 | T2300102 | SIGNAL LAMP | TEMOIN | |
| 32 | T4100012 | KNOB | POIGNEE | |
| 33 | R1546100 | LEVER | LEVIER | |
| 34 | T4100004 | KNOB | POIGNEE | |
| 35 | R1537020 | LEVER CONTROL 00K | LEVIER COMMANDE DU ROBINET | |
| 36 | R1537030 | ROD | TIGE | |
| 37 | E8303010 | COMMUTATOR | COMMUTATEUR | |
| 38 | R1316040 | HINGE | CHARNIERE | |
| 39 | R0137030 | LEVER | LEVIER | ST 875 only |
| 40 | R1546020 | SIDE PANNEL RIGHT | PANNEAU LAT. DROITE | |
| 41 | R1837020 | LEVER | LEVIER | ST 885 only |
| 42 | T4520002 | FITTING | RACCORD | |
| 43 | E7510550 | PIPE | TUBE | |
| 56 | R1546010 | SIDE PANNEL RIGHT | PANNEAU LAT. DROITE | |
| 57 | E6315020 | COVERING | REVETTEMENT | |
| 58 | E6315010 | BATTERY BASE | BAC LOG EMENT BATTERIE | |
| 59 | E9915030 | REAR FRAME | CHASSIS ARRIERE | ST 875 only |
| 59 | E9918030 | REAR FRAME | CHASSIS ARRIERE | ST 885 only |
| 60 | R1546040 | SUPPORT | ATTAQUE | |
| 61 | E7050010 | CASTOR WHEEL | ROULETTE PIVOTANT | ST 875 only |
| 61A | E7050030 | CASTOR WHEEL | ROULETTE PIVOTANT | ST 885 only |
| 62 | R1546090 | REAR PANNEL | PANNEAU ARRIERE | ST 875 only |
| 62A | R1836020 | REAR PANNEL | PANNEAU ARRIERE | ST 885 only |
| 68 | R1537010 | SUPPORT | SUPPORT | |
| 69 | T4510001 | COCK | ROBIN EI | ST 875 only |
| 69A | R1837010 | COCK | ROBIN EI | ST 885 only |
| 73 | R1516120 | SPACER | ENTRETOISE | ST 875 only |
| 74 | T1010604 | NUT | ECROU | |
| 75 | R0136100 | SCREW | VIS | |
| 76 | obtain locally | SPRING | RESORT | |
| 77 | T0910603 | SCREW | VIS | |
| 78 | T0910506 | SCREW | VIS | |

| | | | | |
|----|----------------|--------|-----------|--|
| 79 | T1010505 | NUT | ECROU | |
| 80 | T0910801 | SCREW | VIS | |
| 81 | obtain locally | WASHER | RON DELLE | |
| 82 | obtain locally | SCREW | VIS | |
| 83 | T1308001 | WASHER | RONDELLE | |
| 84 | R1546030 | PLAQUE | PLAQUETTE | |
| 85 | E7401020 | SHROUD | JOINT | |



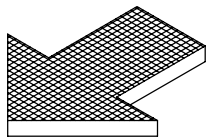
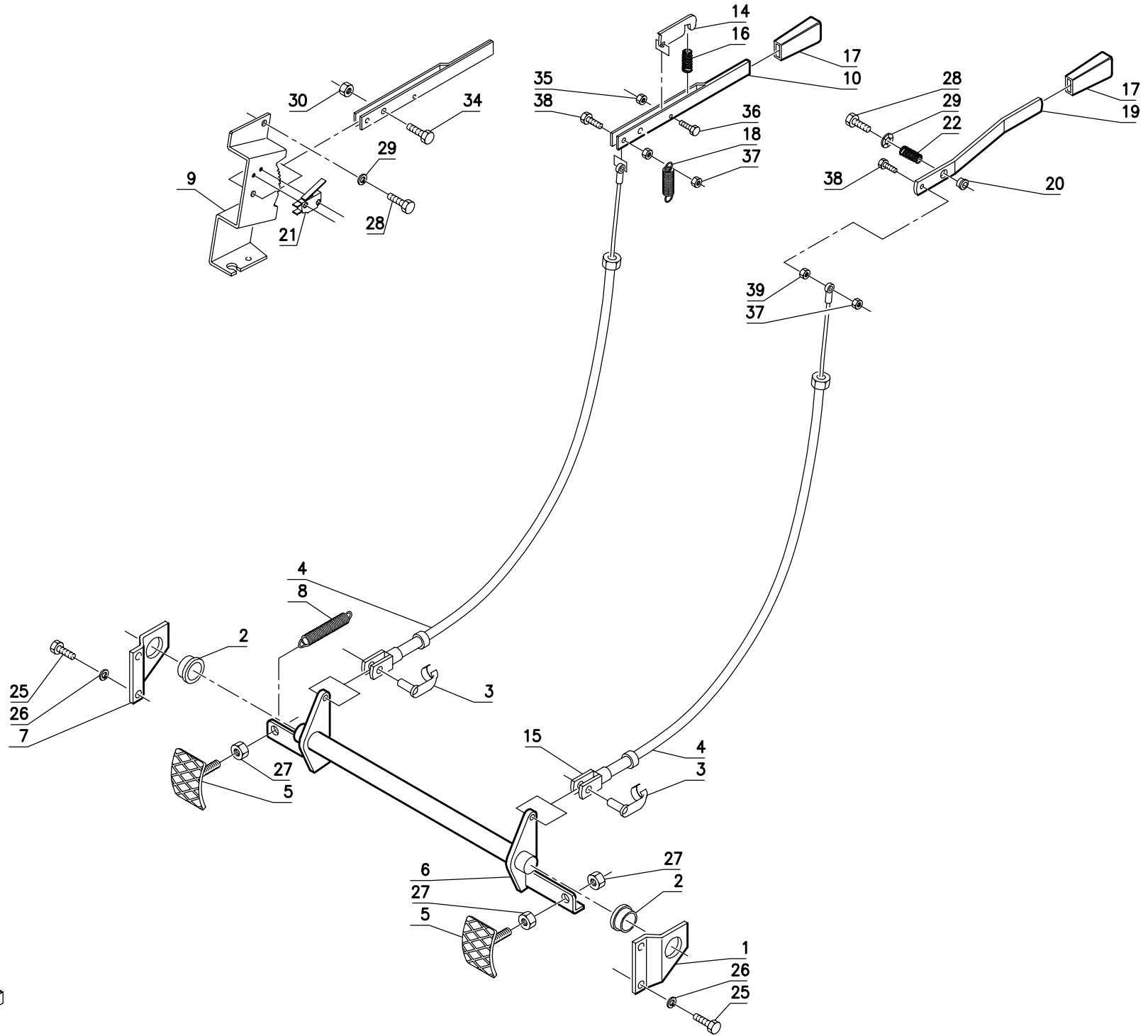
| Item # | Part Number | Description | Description | |
|--------|----------------|-----------------|--------------------|-------------|
| 1 | R1546080 | BONNET | COUVERCLE | ST 875 only |
| 1 | R1846030 | BONNET | COUVERCLE | ST 885 only |
| 2 | R1536030 | SUPPORT | ATTAQUE | |
| 3 | E9210080 | SPRING | RESSORT | |
| 4 | E7400240 | GASKET | JOINT | |
| 5 | E7400070 | GASKET | JOINT | |
| 6 | R1336020 | ROD | TIGE | |
| 7 | R1336090 | COUPLING | ATTAQUE | |
| 8 | E7400110 | GASKET | JOINT | |
| 9 | R1336030 | PLUG | BOUCHON | |
| 10 | E7400080 | GASKET | JOINT | |
| 11 | R0341030 | FLOAT | FLOTTEUR | |
| 12 | E6500110 | FILTER | FILTRE | |
| 13 | R1336010 | PROTECTION | PROTECTION | |
| 14 | R1536010 | PLUG | BOUCHON | |
| 44 | T4520007 | CONNECTOR | RACORD | |
| 45 | R1536100 | CLAMP | COLLIER | |
| 47 | M2360011 | PLUG | BOUCHON | |
| 48 | E7510030 | PIPE | TUBE | |
| 49 | T4540016 | CONNECTOR | RACORD | |
| 50 | E9715020 | TANK | RESERVOIR | ST 875 only |
| 50 | E9718020 | TANK | RESERVOIR | ST 885 only |
| 51 | R1518090 | CABLE | CABLE | |
| 52 | R1536040 | BILLOW BUCKHEAD | DEFLECTEUR | ST 875 only |
| 52 | R1836040 | BILLOW BUCKHEAD | DEFLECTEUR | ST 885 only |
| 53 | R1536020 | PLUG | BOUCHON | ST 875 only |
| 53 | R1836010 | PLUG | BOUCHON | ST 885 only |
| 54 | R1536050 | BLADE | PLAQUETTE | ST 875 only |
| 54 | R1836050 | BLADE | PLAQUETTE | ST 885 only |
| 55 | E9715010 | TANK | RESERVOIR | ST 875 only |
| 55 | E9718010 | TANK | RESERVOIR | ST 885 only |
| 63 | R1336030 | PLUG | BOUCHON | |
| 66 | E7510540 | PIPE | TUBE | ST 875 only |
| 66 | E7510270 | PIPE | TUBE | ST 885 only |
| 67 | E7510520 | PIPE | TUBE | |
| 70 | E7510270 | PIPE | TUBE | ST 875 only |
| 70 | E7510540 | PIPE | TUBE | ST 885 only |
| 73 | T4530004 | CONNECTOR | RACORD | |
| 74 | T4220006 | CLAMP | COLLIER | |
| 75 | T1020601 | LOCK NUT | ECROU AUTOBLOQUANT | |
| 76 | obtain locally | WASHER | RON DELLE | |
| 77 | obtain locally | SCREW | VIS | |
| 78 | obtain locally | WASHER | POND ELLE | |
| 79 | obtain locally | WASHER | RON DELLE | |
| 80 | T1010403 | NUT | ECROU | |
| 81 | T1502002 | SPLIT PIN | GOUPILLE | |
| 83 | obtain locally | NUT | ECROU | |
| 84 | T0940504 | SCREW | VIS | |
| 86 | obtain locally | NUT | ECROU | |
| 87 | T0910612 | SCREW | VIS | |
| 88 | E7510050 | PIPE | TUBE | ST 875 only |
| 88 | E7510530 | PIPE | TUBE | ST 885 only |

Squeegee Assembly

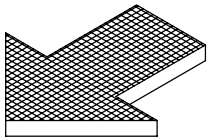
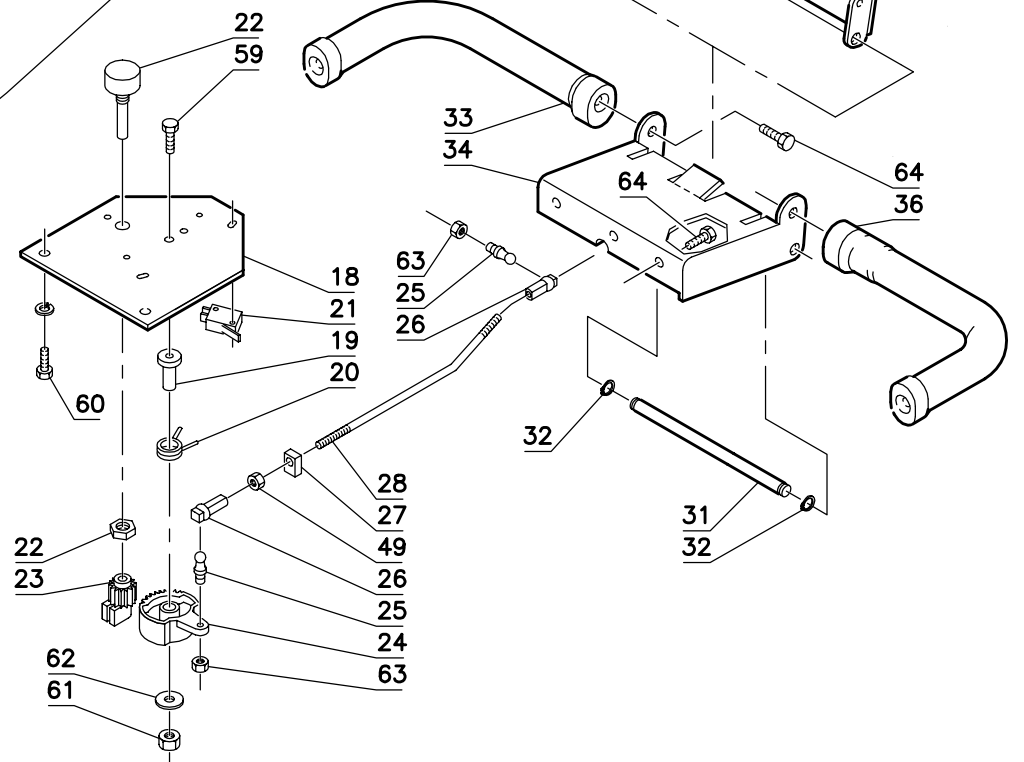
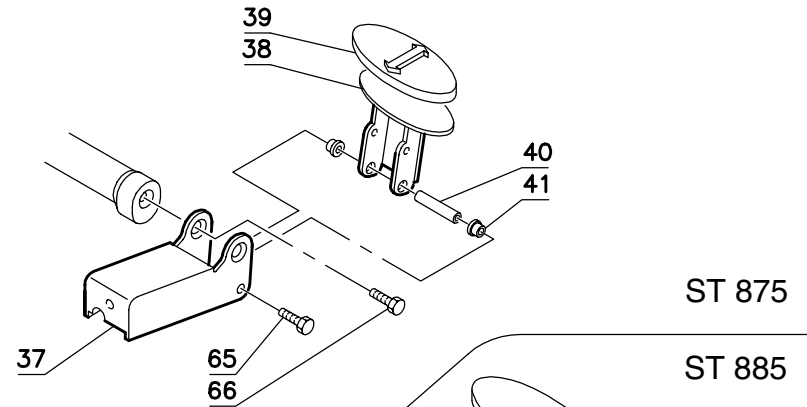
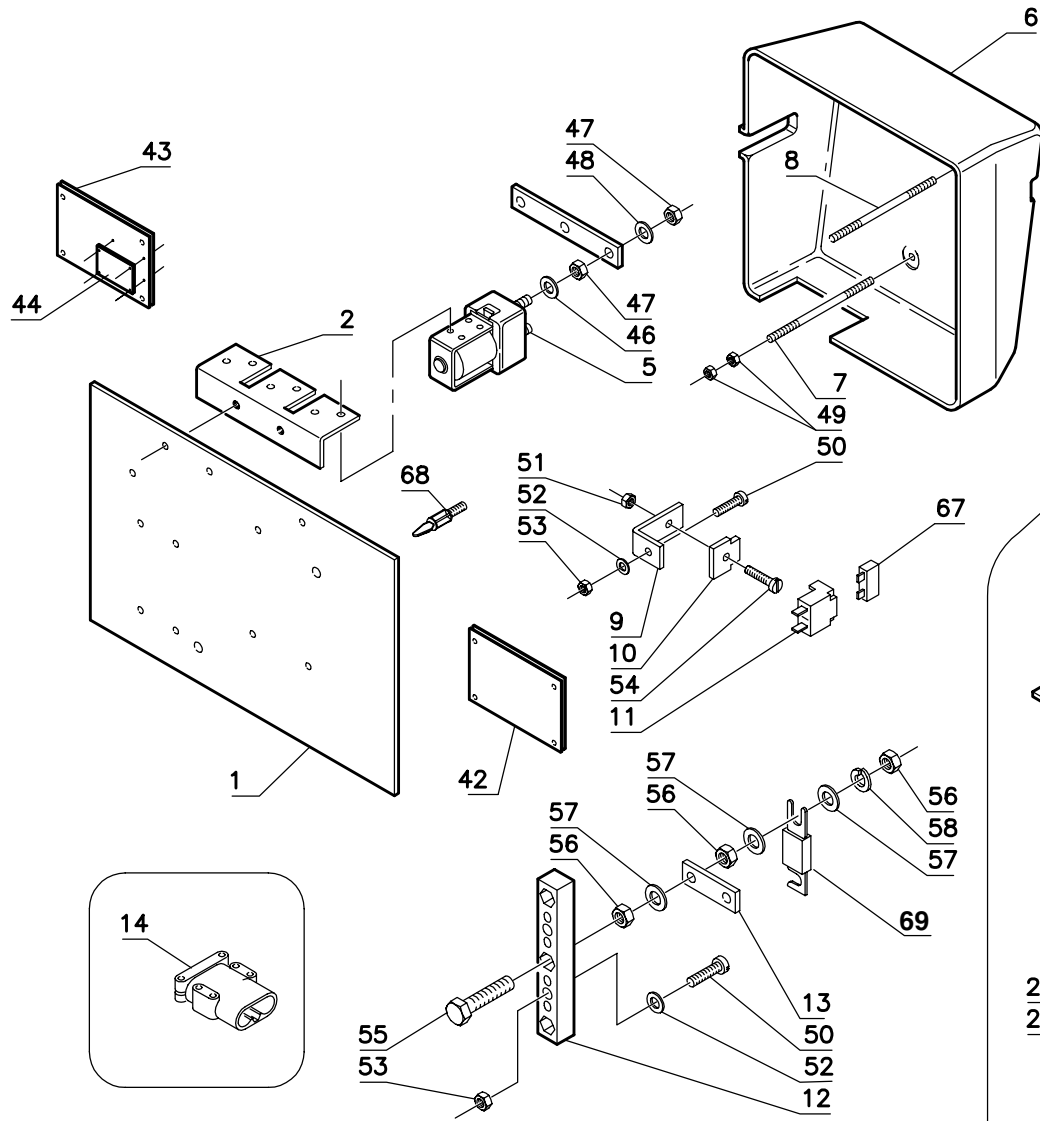


| Item # | Part Number | Description | Description |
|--------|----------------|-----------------|------------------------|
| 1 | R1816030 | BASE | BASE |
| 1A | R1516090 | BASE | BASE |
| 2 | R0112030 | PIN | AXE |
| 3 | R0112040 | COUPLING | ATTAQUE |
| 4 | R0112050 | PIN | AXE |
| 5 | R0112120 | ADJUSTER | REGISTRE |
| 6 | R0112110 | ADJUSTER NUT | ECROU DE RECLAGE |
| 15 | T4700001 | GREASE NIPPLE | GRAISSEUR |
| 20 | obtain locally | DOWEL | VIS |
| 22 | E7010020 | WHEEL | ROUE |
| 23 | E9113050 | BUSHING | BAGUE |
| 24 | R1511060 | BRACKET | COLLIER |
| 25 | T1404003 | SPRING PIN | FOURCHETTE |
| 26 | R0811020 | CHAIN | CHAINE |
| 27 | R1311110 | OPENING | BUSE |
| 28 | T4006002 | KNOB | POMMEAU |
| 32 | E7020050 | ROLLER | GALET |
| 33 | R0712010 | SPECIAL NUT | ECPOU SPECIAL |
| 34 | R1511020 | BLADE | PLAQUETTE |
| 34A | R1811010 | BLADE | PLAQUETTE |
| 35 | E7715010 | RUBBER | CAOUTCHOUC |
| 35A | E7718010 | RUBBER | CAOUTCHOUC |
| 36 | E7715020 | RUBBER | CAOUTCHOUC |
| 36A | E7718020 | RUBBER | CAOUTCHOUC |
| 37 | E9615010 | SQUEEGEEE BODY | CORPS DE SUCEUR |
| 37A | E9618010 | SQUEEGEEE BODY | CORPS DE SUCEUR |
| 40 | R1311130 | SUPPORT | SUPPORT |
| 41 | E9210150 | SPRING | RESSORT |
| 42 | R1516040 | PIN | AXE |
| 43 | R1516010 | PLAQUE | PLAQUETTE |
| 44 | R1516030 | BLADE | PLAQUE1TE |
| 45 | R1512010 | LEVER | LEVIER |
| 46 | T4100015 | KNOB | POIGNEE |
| 47 | R0316060 | ROLLER | GALET |
| 48 | R1501110 | PIN | AXE |
| 49 | R1512020 | LEVER | LEVIER |
| 50 | R1512030 | PIN | AXE |
| 51 | E9220120 | SPRING | RESSORT |
| 52 | R1512040 | TIE-ROD | TIGE |
| 53 | E9102090 | BUSHING | BAGUE |
| 54 | R1512050 | ARM | BRAS |
| 55 | E9115040 | BUSHING | BAGUE |
| 56 | obtain locally | CONTPOLARM UNIT | ENSEMBLE BRAS COMMANDE |
| 57 | R1812010 | SHAFT | ARBRE |
| 57A | R1512070 | SHAFT | ARBRE |
| 59 | E9210200 | SPRING | RESSORT |
| 60 | R0311060 | PUSH BUTTON | BOUTON POUSSOIR |

| | | | |
|-----|----------------|-------------|--------------------|
| 65 | T1022001 | LOCK NUT | ECROU AUTOBLOQUANT |
| 66 | obtain locally | WASHER | PONDELLE |
| 67 | T1600002 | CLIP | EPINGLE |
| 68 | T0930803 | SCREW | VIS |
| 69 | T1108002 | WASHER | RONDELLE |
| 71 | R1511010 | | |
| 72 | R1512080 | | |
| 74 | R1311120 | PIN | AXE |
| 75 | T4008006 | | |
| 76 | R1511050 | BUSHING | BAGUE |
| 77 | R0111010 | STUD BOLT | TIGE |
| 78 | R1511030 | BLADE | PLAQUE1TE |
| 78A | R1811020 | BLADE | PLAQUETTE |
| 80 | T1060501 | NUT | ECROU |
| 81 | T1060801 | NUT | ECROU |
| 82 | T0980809 | SCREW | VIS |
| 84 | obtain locally | | |
| 87 | T0910802 | SCREW | VIS |
| 88 | T1106002 | WASHER | RONDELLE |
| 89 | T1308001 | WASHER | RONDELLE |
| 84 | obtain locally | | |
| 85 | R1511070 | | |
| 86 | E7400150 | | |
| 87 | T0220007 | SEEGER RING | SERRE CLIPS |
| 90 | obtain locally | NUT | ECROU |
| 92 | T1106006 | WASHER | RONDELLE |
| 93 | obtain locally | WASHER | RONDELLE |
| 94 | obtain locally | SCREW | VIS |
| 95 | T0940501 | SCREW | VIS |
| 96 | T1108002 | WASHER | RON DELLE |
| 97 | T0910603 | SCREW | VIS |
| 99 | obtain locally | SCREW | VIS |
| 100 | T1020601 | LOCK NUT | ECROU AUTOBLOQUANT |
| 101 | T0980601 | SCREW | VIS |
| 102 | T1010505 | NUT | ECROU |
| 103 | T1020802 | LOCK NUT | ECROU AUTOBLOQUANT |
| 105 | T0911201 | SCREW | VIS |
| 106 | T1108001 | WASHER | RONDELLE |



| Item # | Part Number | Description | Description | |
|--------|----------------|---------------|--------------------|-------------|
| 1 | R1818010 | SUPPORT LEFT | SUPPORT GAUCHE | ST 885 only |
| 1A | R1518070 | SUPPORT LEFT | SUPPORT GAUCHE | ST 875 only |
| 2 | E9118010 | BUSH ING | BAGUE | ST 885 only |
| 3 | T4620004 | PIN | AXE | |
| 4 | R151 8080 | BRAKE CABLE | CABLE DE FREIN | |
| 5 | R0718040 | PAD | PAIIN | |
| 6 | R1818030 | SHAFT | ARBRE | ST 885 only |
| 6A | R1518050 | SHAFT | ARBRE | ST 875 only |
| 7 | R1818020 | SUPPORT RIGHT | SUPPORT DROITE | ST 885 only |
| 7A | R1518060 | SUPPORT RIGHT | SUPPORT DROITE | ST 875 only |
| 8 | E9220120 | SPRING | RESSORT | |
| 9 | R151 8010 | SUPPORT | ATTAQUE | |
| 10 | R151 8030 | LEVER | LEVIER | |
| 14 | R1518040 | LEVER | LEVIER | |
| 15 | T4610004 | FORK | CHAPPE | |
| 16 | E9210190 | SPRING | RESSORT | |
| 17 | T4100009 | KNOB | POIGNEE | |
| 18 | E9220080 | SPRING | RESSOPT | |
| 19 | R1518020 | LEVER | MAN ETTE | |
| 20 | E9115010 | BUSHING | BAGUE | |
| 21 | T2105006 | MICROS WITCH | MICRO INTERRUPTEUR | |
| 22 | E9210150 | SPRING | RESSOPT | |
| 25 | obtain locally | SCREW | VIS | |
| 26 | obtain locally | WASHER | POND ELLE | |
| 27 | T1011205 | NUT | ECPOU | |
| 28 | T0910801 | SCREW | VIS | |
| 29 | obtain locally | WASHER | RON DELLE | |
| 30 | T1020802 | LOCK NUT | ECROU AUTOBLOQUANT | |
| 34 | T0910802 | SCREW | VIS | |
| 35 | T1020401 | LOCK NUT | ECPOU AUTOBLOQUANT | |
| 36 | T0910401 | SCREW | VIS | |
| 37 | T1020601 | LOCK NUT | ECROU AUTOBLOQUANT | |
| 38 | obtain locally | SCREW | VIS | |
| 39 | T1010605 | NUT | ECROU | |



| Item # | Part Number | Description | Description | |
|--------|----------------|-----------------------|----------------------------|-------------|
| 1 | R1551060 | PANEL | PANNEAU | |
| 2 | R1551020 | SUPPORT | ATTAQUE | |
| 4 | R1551050 | BRIDGE | PONTAGE | |
| 5 | E8430001 | REMOTE CONTROL SWITCH | TELERUPTEUR | |
| 6 | R1551010 | PROTECTION | PROTECTION | |
| 7 | R0136100 | STUD BOLT | fiOE | |
| 8 | R1516060 | STUD BOLT | TIGE | |
| 9 | R1551040 | SUPPORT | SUPPORT | |
| 10 | T2911003 | PLAQUE | PLAQUETTE | |
| 11 | T2400010 | FUSEHOLDER | PORTE-FUSIBLE | |
| 12 | T2400018 | FUSEHOLDER | PORTE-FUSIBLE | |
| 13 | R1551030 | BRIDGE | PONTAGE | |
| 14 | E8000700 | CONNECTOR MALE | CONNECTEUR MALE | |
| 18 | R1528040 | BASE | BASE | |
| 19 | E9136010 | BUSHING | BAGUE | |
| 20 | E9230030 | SPRING | RESSORT | |
| 21 | T2105003 | MICROSWITCH | MICRO INTERRUPTEUR | |
| 22 | T2108002 | POTENTIOMETER | POTENTIOMETRE | |
| 23 | R0628030 | PINION | PIGNON | |
| 24 | R0628020 | CAM WHEEL | CAME | |
| 25 | R0828030 | PIN COUPLER | AXE A FIXATION | |
| 26 | R0128070 | ADJUSTABLE HEAD | TETE REOLABLE | |
| 27 | R1528020 | STOP | BUTEE | |
| 28 | R1528010 | TIE ROD | TIGE | |
| 31 | R1828030 | PIN | AXE | ST 885 only |
| 32 | T0230004 | SEEGER RING | SERRE CLIPS | ST 885 only |
| 33 | E9508030 | HANDLE BAR RIGHT | TIMON DROITE | |
| 34 | R1828020 | SUPPORT | SUPPORT | ST 885 only |
| 36 | E9508040 | HANDLE BAR LEFT | TIMON GAUCHE | |
| 37 | R1528060 | SUPPORT | SUPPORT | ST 875 only |
| 38 | R1528050 | LEVER | LEVIER | ST 875 only |
| 39 | R0128020 | COVER | PROTECTION | ST 875 only |
| 39A | R1828010 | COVER | PROTECTION | ST 885 only |
| 40 | P1528070 | PIN | AXE | ST 875 only |
| 41 | E9115050 | BUSHING | BAGUE | ST 875 only |
| 42 | E7900002 | CHOPPER CARD | VARIATEUR ELECTRONIQUE | |
| 43 | E7900014 | CECH CARD BATTERIES | PLAQUE CONTROL E BATTERIES | |
| 44 | E7900020 | CHEC CARD BLOCK | PLAQUE BLOQUE GROSSES | |
| 46 | obtain locally | WASHER | BOND ELLE | |
| 47 | obtain locally | NUT | ECROU | |
| 48 | T1108006 | WASHER | BOND ELLE | |
| 49 | T1010605 | NUT | ECROU | |
| 50 | T0920407 | SCREW | VIS | |
| 51 | T1010301 | NUT | ECROU | |
| 52 | obtain locally | WASHER | RON DELLE | |
| 53 | T1020401 | LOCK NUT | ECROU AUTOBLOQUANT | |
| 54 | obtain locally | SCREW | VIS | |
| 55 | T0911010 | SCREW | VIS | |
| 56 | T1021001 | NUT | ECROU | |
| 57 | obtain locally | WASHER | BOND ELLE | |
| 58 | obtain locally | WASHER | BOND ELLE | |

| | | | | |
|----|----------------|-------------|--------------------|--|
| 59 | T0910605 | SCREW | VIS | |
| 60 | obtain locally | SCREW | VIS | |
| 61 | T1020610 | LOCK NUT | ECROU AUTOBLOQUANT | |
| 62 | T1106002 | WASHER | BOND ELLE | |
| 63 | T1020501 | LOCK NUT | ECROU AUTOBLOQUANT | |
| 64 | T0910801 | SCREW | VIS | |
| 65 | obtain locally | SCREW | VIS | |
| 66 | obtain locally | SCREW | VIS | |
| 67 | T2400301 | FUSE | FUSIBLE | |
| 68 | T2903001 | COUPIER PIN | AXE DE ACCROCHAGE | |
| 69 | T2403501 | FUSE, 35a | FUSIBLE | |
| 69 | T2408001 | FUSE, 80a | FUSIBLE | |
| 69 | T2416001 | FUSE, 160a | FUSIBLE | |