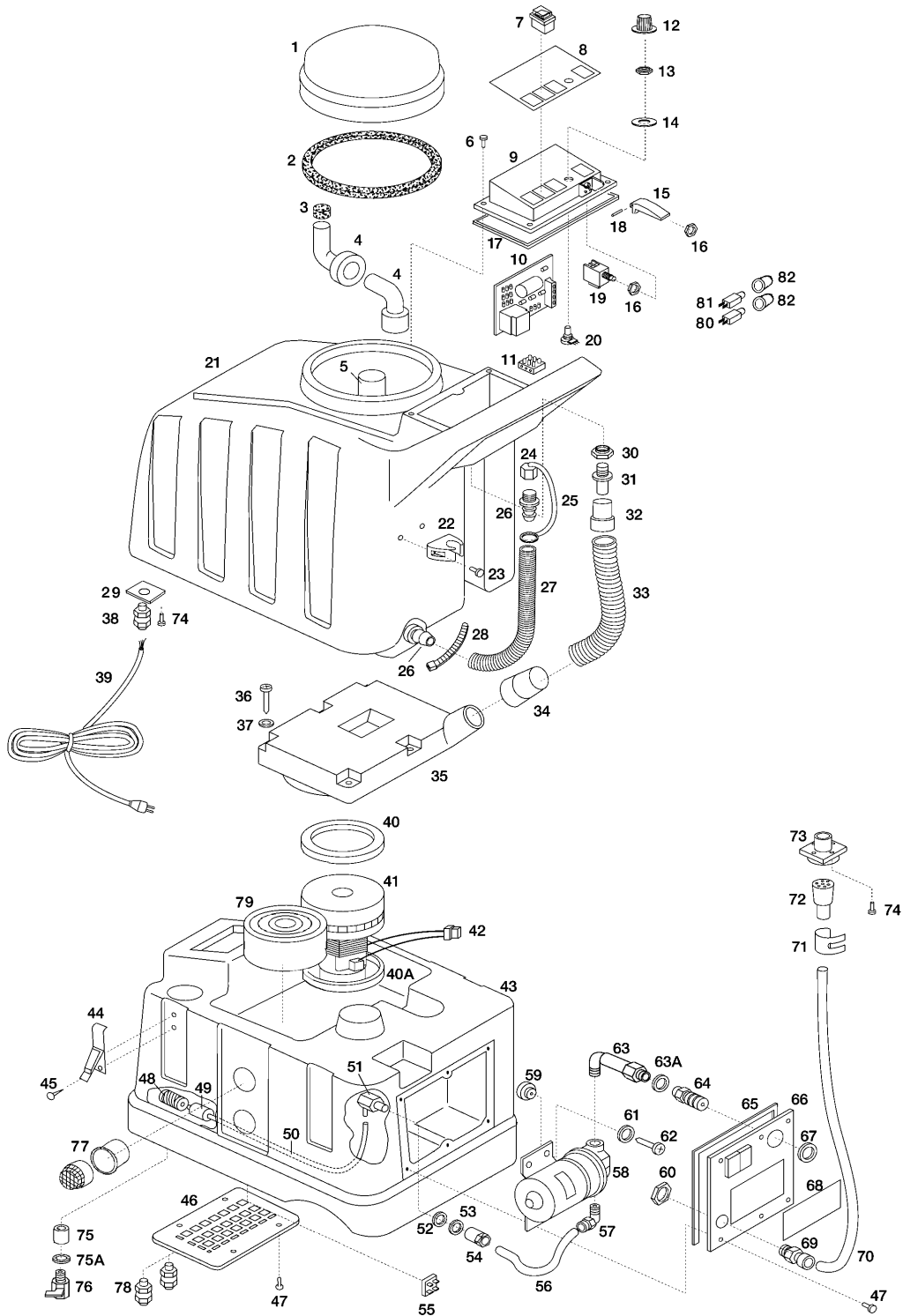


N·O·R·T·H AMERICAN CLEANING EQUIPMENT

Avenger 18AX Schematic Drawing #1





Avenger 18AX Parts List - Diagram #1

ITEM #	PART #	DESCRIPTION
1	SP-15178	COVER
2	SP-15179	GASKET
3	SP-15184	VACUUM FILTER
4	SP-15153	ELBOW
5	SP-15183	ELBOW
6	SP-15551	SCREW
7	SP-15217	2 POSITIONS SWITCH (MOTOR, PUMP, DRIVE)
	SP-15220	3 POSITIONS SWITCH (AUXILIARY)
8	SP-15185	PANEL LABEL
9	SP-15177	PANEL
10	SP-15275	ELECTRONIC CARD 100-120V
11	SP-15236	CONNECTING TERMINAL
12	SP-15276	SPEED CONTROL KNOB
13	SP-15516	RING NUT
14	SP-15515	SPEED INDICATOR
15	SP-15457	DRIVE LEVER
16	SP-15514	RING NUT
17	SP-15458	DRIVE LEVER SUPPORT
18	SP-15599	PIN
19	SP-15277	MICROSWITCH
20	SP-15278	PONTENTIOMETER
21	SP-15151	UPPER TANK
22	SP-15160	CLIP
23	SP-15544	SCREW
24	SP-15159	CAP
25	SP-15162	TIE
26	SP-15161	HOSE NIPPLE
27	SP-15358	DRAIN HOSE
28	SP-15541	TIE
29	SP-15213	CABLE LOCK
30	SP-15548	RING NUT
31	SP-15365	NOSE NIPPLE
32	SP-15334	CUFF
33	SP-15364	VACUUM HOSE
34	SP-15363	NOSE NIPPLE
35	SP-15155	MANIFOLD
36	SP-15560	SCREW
37	SP-15517	WASHER

38	SP-15262	CONNECTING PART
39	SP-15215	CABLE 3 X 2.5 X 20M

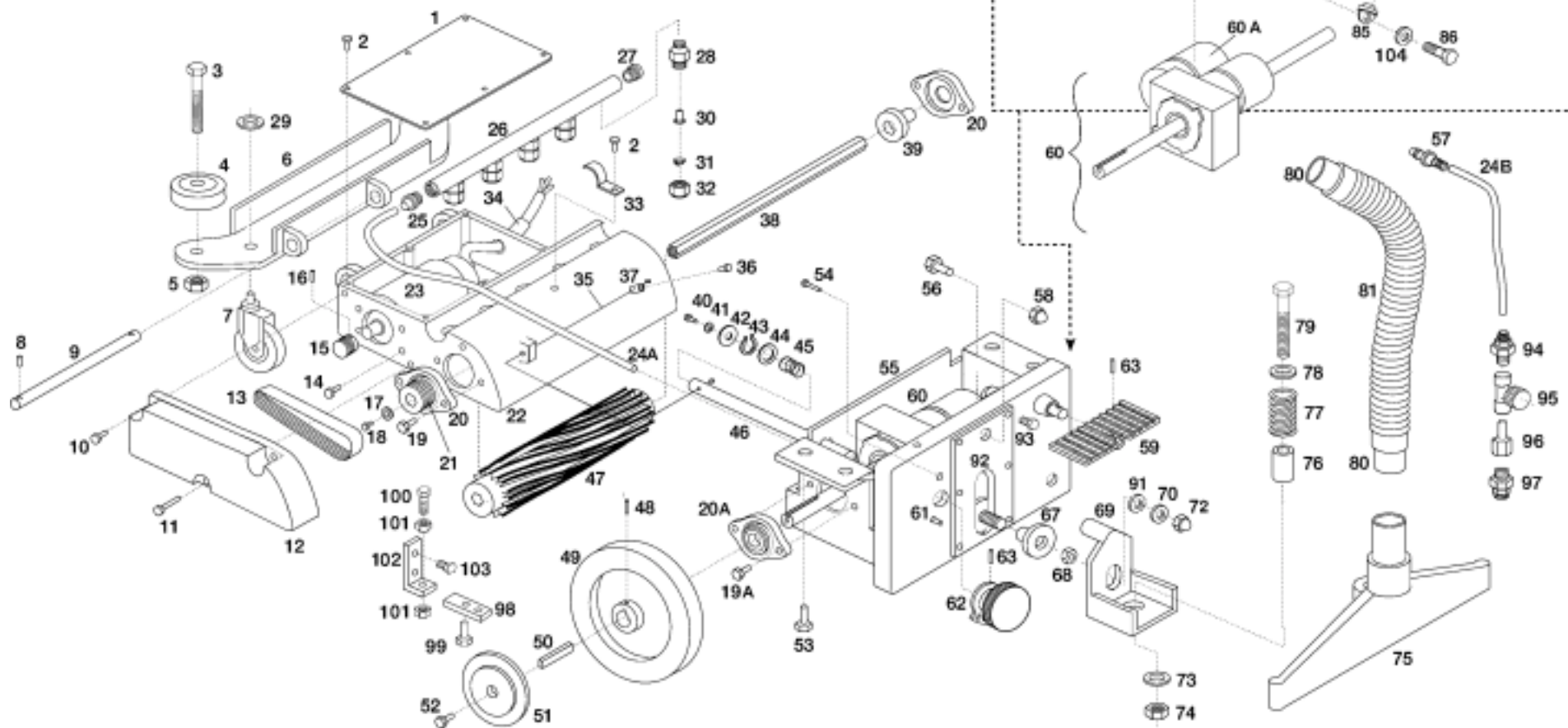
Avenger 18AX Parts List - Diagram #1

ITEM #	PART #	DESCRIPTION
40	S[-15811	MOTOR GASKET
41	SP-15809	MOTOR 3 STAGES 1200W 120V 60 HZ
42	SP-15234	CONNECTOR
43	SP-15152	LOWER TANK
44	SP-15142	COUPLER
45	SP-15545	SCREW
46	SP-15180	LOWER PANEL
47	SP-15536	SCREW
48	SP-15608	FILTER
49	SP-15747	BALLAST
50	SP-15745745	SOLUTION PIPE
51	SP-15702	CONNENCTING PART
52	SP-15147	GASKET
53	SP-15540	WASHER
54	SP-15714	QUICK DISCONNECT - FEMALE
55	SP-15279	RECTIFIER
56	SP-15746	RILSAN PIPE
57	SP-15622	CONNECTING PART
58	SP-15644	PUMP 100-120V 50-60 HZ
59	SP-15736	VIBRATION DUMPER
60	SP-15564	RING NUT
61	SP-15517	WASHER
62	SP-15504	SCREW
63	SP-15720	ELBOW
64	SP-15728	QUICK DISCONNECT - FEMALE
65	SP-15186	GASKET
66	SP-15148	LOWER PANEL
67	SP-15163	BUSH
68	SP-15158	LOWER PANEL LABEL
69	SP-15262	CONNECTING PART
70	SP-15261	CABLE SHEAT
71	SP-15265	TIE
72	SP-15260	PLUG
73	SP-15259	SOCKET
74	SP-15538	SCREW

N·O·R·T·H

AMERICAN

CLEANING EQUIPMENT





Avenger 18AX Parts List - Diagram #2

ITEM #	PART #	DESCRIPTION
1	SP-15425	SLIDING BLOCK COVER
2	SP-15536	SCREW
3	SP-15567	BOLT
4	SP-15426	WHEEL
5	SP-15568	NUT
6	SP-15427	FRONT WHEEL SUPPORT
7	SP-15115	FRONT CASTOR
8	SP-15569	COTTER PIN
9	SP-15428	SHAFT
10	SP-15570	SCREW
11	SP-15571	SCREW
12	SP-15429	BELT COVER CARTER
13	SP-15430	BELT
14	SP-15572	SCREW
15	SP-15431	PULLEY
16	SP-15573	STOP DOWEL
17	SP-15574	WASHER
18	SP-15575	SCREW
19	SP-15576	SCREW
20	SP-15432	BEARING WITH SUPPORT
21	SP-15433	BRUSH PULLEY
22	SP-15434	SLIDING BLOCK COVER
23	SP-15455	BRUSH MOTOR 100 - 120V
24	SP-15759	WATER PIPE
25	SP-15754	QUICK DISCONNECT COUPLING
26	SP-15757	MANIFOLD
	SP-15757C	MANIFOLD COMPLETE WITH NOZZLES
27	SP-15758	CAP
28	SP-15741	NOZZLE SUPPORT
29	SP-15731	RUBBER GASKET
30	SP-15743	MESH SCREEN c/w CHECK VALVE
31	SP-15730	NOZZLE
32	SP-15742	LOCKING NUT FOR NOZZLE
33	SP-15565	MANIFOLD LOCK
34	SP-15237	FAIRLEAD
35	SP-15436	STEEL WIRE
36	SP-15575	SCREW
37	SP-15566	WIRE LOCK

38	SP-15437	SHAFT FOR BRUSH
39	SP-15438	PULLEY
40	SP-15575	SCREW
41	SP-15574	WASHER
42	SP-15577	WASHER
43	SP-15578	CIRCLIP
44	SP-15580	WASHER