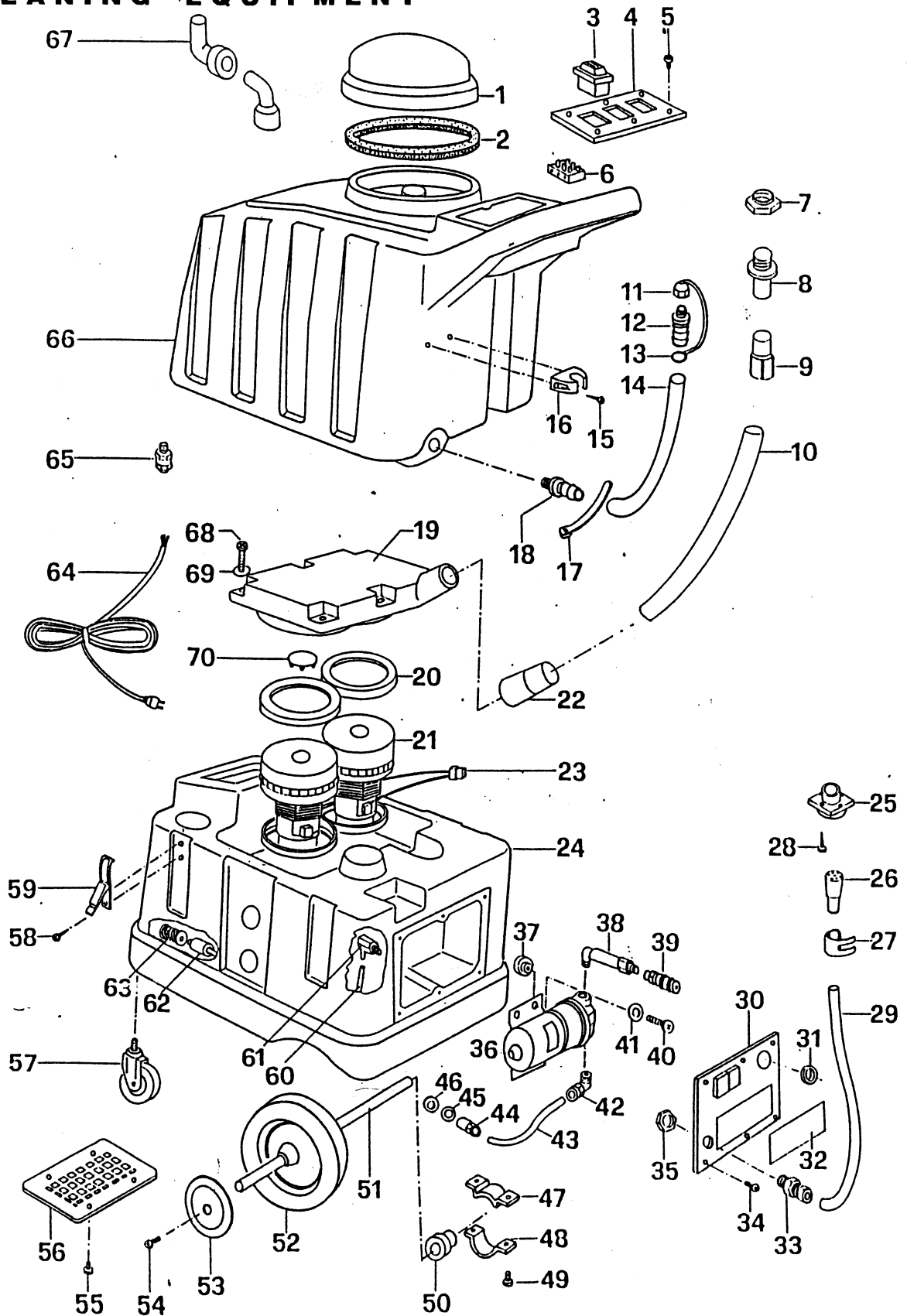


N·O·R·T·H AMERICAN CLEANING EQUIPMENT

Tempest 18DX

Schematic Diagram





Tempest 18DX Parts List

ITEM #	PART #	DESCRIPTION
1	SP-15178	COVER
2	SP-15179	GASKET
3	SP-15217	SWITCH
4	SP-15176	PANEL
5	SP-15536	SCREW
6	SP-15236	CONNECTING TERMINAL
7	SP-15548	NUT
8	SP-15365	HOSE NIPPLE
9	SP-15334	CUFF
10	SP-15364	HOSE, 1 1/2"
11	SP-15159	CAP
12	SP-15161	HOSE NIPPLE
13	SP-15162	TIE
14	SP-15358	DRAIN HOSE
15	SP-15544	SCREW
16	SP-15160	CLIP
17	SP-15541	TIE
18	SP-15161	HOSE NIPPLE
19	SP-15155	MANIFOLD
20	SP-15811	GASKET
21	SP-15820	MOTOR, 2 STAGE 110V
22	SP-15363	CUFF
23	SP-15234	CONNECTOR
24	SP-15152	LOWER TANK
25	SP-15259	SOCKET
26	SP-15260	PLUG
27	SP-15265	TIE
28	SP-15538	SCREW
29	SP-15261	CABLE SHEATH
30	SP-15148	PANEL
31	SP-15163	BUSH
32	SP-15157	PLATE
33	SP-15262	CONNECTOR
34	SP-15536	SCREW
35	SP-15564	NUT
36	SP-15644	SOLUTION PUMP, 115V, BYPASS
37	SP-15736	VIBRATION DAMPER
38	SP-15720	ELBOW
	SP-15721	EXTENSION
39	SP-15728	QUICK DISCONNECT, FEMALE
40	SP-15504	SCREW
41	SP-15517	WASHER

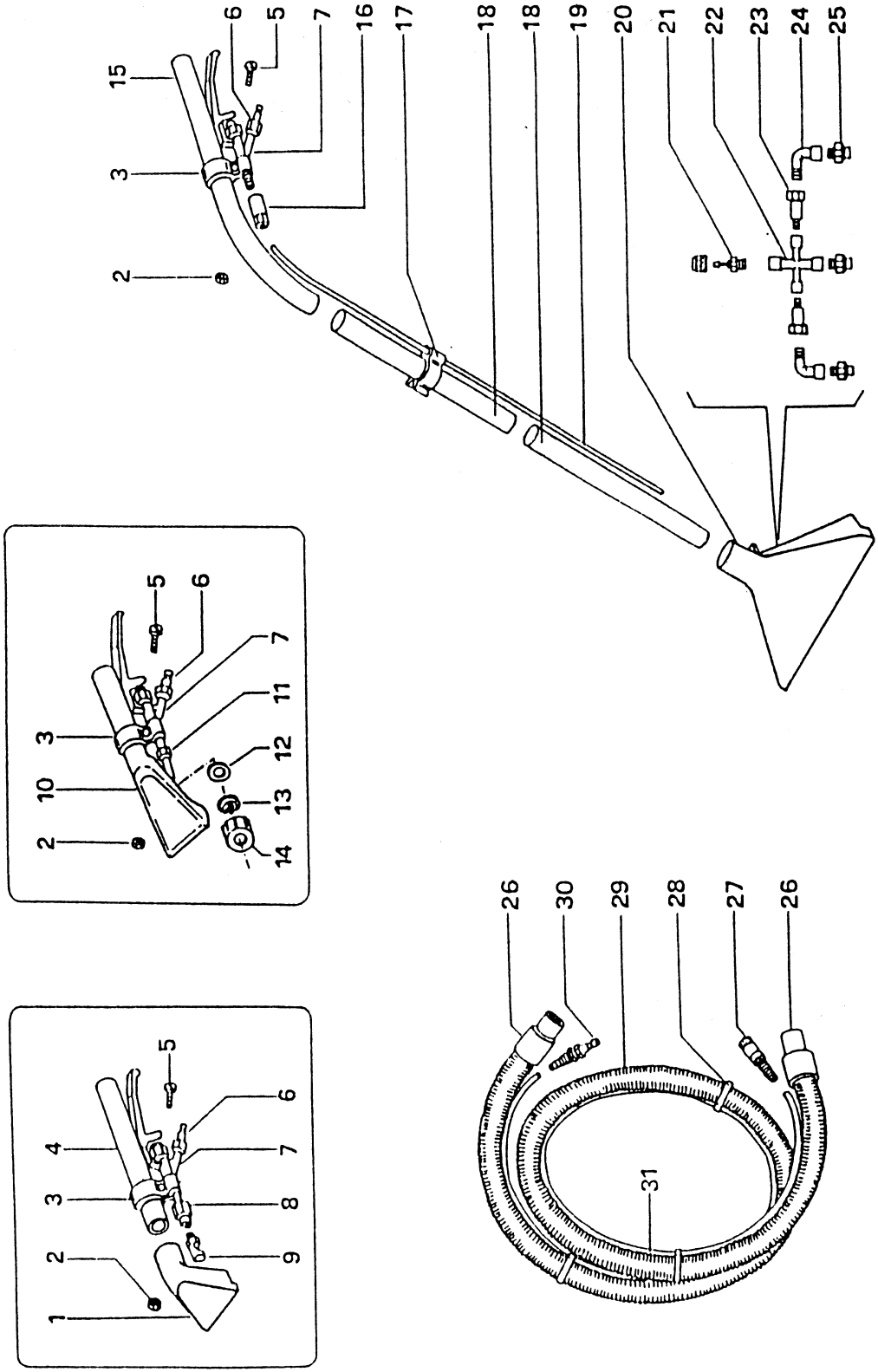
Tempest 18DX Parts List

ITEM #	PART #	DESCRIPTION
--------	--------	-------------

42	SP-15622	ELBOW
43	SP-15746	RILSAN PIPE
44	SP-15714	QUICK DISCONNECT - FEMALE
45	SP-15540	METAL WASHER
46	SP-15147	NEOPRENE WASHER
47	SP-15420	UPPER BEARING FLANGE
48	SP-15421	LOWER BEARING FLANGE
49	SP-15549	SCREW
50	SP-15419	PILLOW BLOCK
51	SP-15418	SHAFT
52	SP-15422	WHEEL
53	SP-15423	WHEEL COVER
54	SP-15550	SCREW
55	SP-15536	SCREW
56	SP-15180	LOWER PANEL
57	SP-15115	WHEEL
58	SP-15545	SCREW
59	SP-15142	COUPLER
60	SP-15745	EXTRAFLEX PIPE
61	SP-15702	CONNECTOR
62	SP-15747	BALLAST
63	SP-15608	FILTER
64	SP-15242	CABLE
65	SP-15262	CONNECTOR
66	SP-15151	UPPER TANK
67	SP-15153	ELBOW
68	SP-15560	SCREW
69	SP-15517	WASHER
70	SP-15824	VALVE

Extraction Accessories

Schematic Diagram



ITEM #	PART #	DESCRIPTION
1	SP-11342	ALUMINUM HEAD
2	SP-12525	NUT
3	SP-12319	VALVE LOCK
4	SP-11339	METAL TUBE, 1 1/2"
5	SP-12504	SCREW
6	SP-12689	MALE QUICK DISCONNECT, METAL
7	SP-12320	SOLUTION VALVE
8	SP-11684	CONNECTOR
9	SP-11676	SPRAY TIP
10	SP-11328	HAND TOOL BODY, PLASTIC
11	SP-11717	EXTENSION
12	SP-11731	GASKET FOR NOZZLE
13	SP-11719	NOZZLE
14	SP-11718	RING NUT
15	SP-12304	S/S CURVED WAND SECTION
16	SP-12677	COUPLING
17	SP-12318	CLIP
18	SP-12301	S/S WAND SECTION
19	SP-12615	EXTRAFLEX PIPE
20	SP-12311	ALUMINUM HEAD
21	SP-12616	COUPLING
22	SP-12685	CROSS
23	SP-12686	EXTENSION
24	SP-12626	ELBOW
25	SP-12671	NOZZLE, 110/02
26	SP-15334	HOSE CUFF
27	SP-15690	COUPLING FOR SOLUTION HOSE, METAL
	SP-15687	FEMALE DISCONNECT, METAL
28	SP-12682	TIE
29	SP-12359	VACUUM HOSE, 20'
30	SP-15690	COUPLING FOR SOLUTION HOSE, METAL
	SP-15688	MALE DISCONNECT, METAL
31	SP-15732	EXTRAFLEX PIPE

Complete Assemblies

SP-13020	20' EXTRACTION HOSE ASSEMBLY
SP-12300A	12" 3-JET EXTRACTION WAND, ALUMINUM HEAD
SP-1110A	4" HAND TOOL, ALUMINUM HEAD
SP-1110P	4 1/2" HAND TOOL, PLASTIC HEAD