



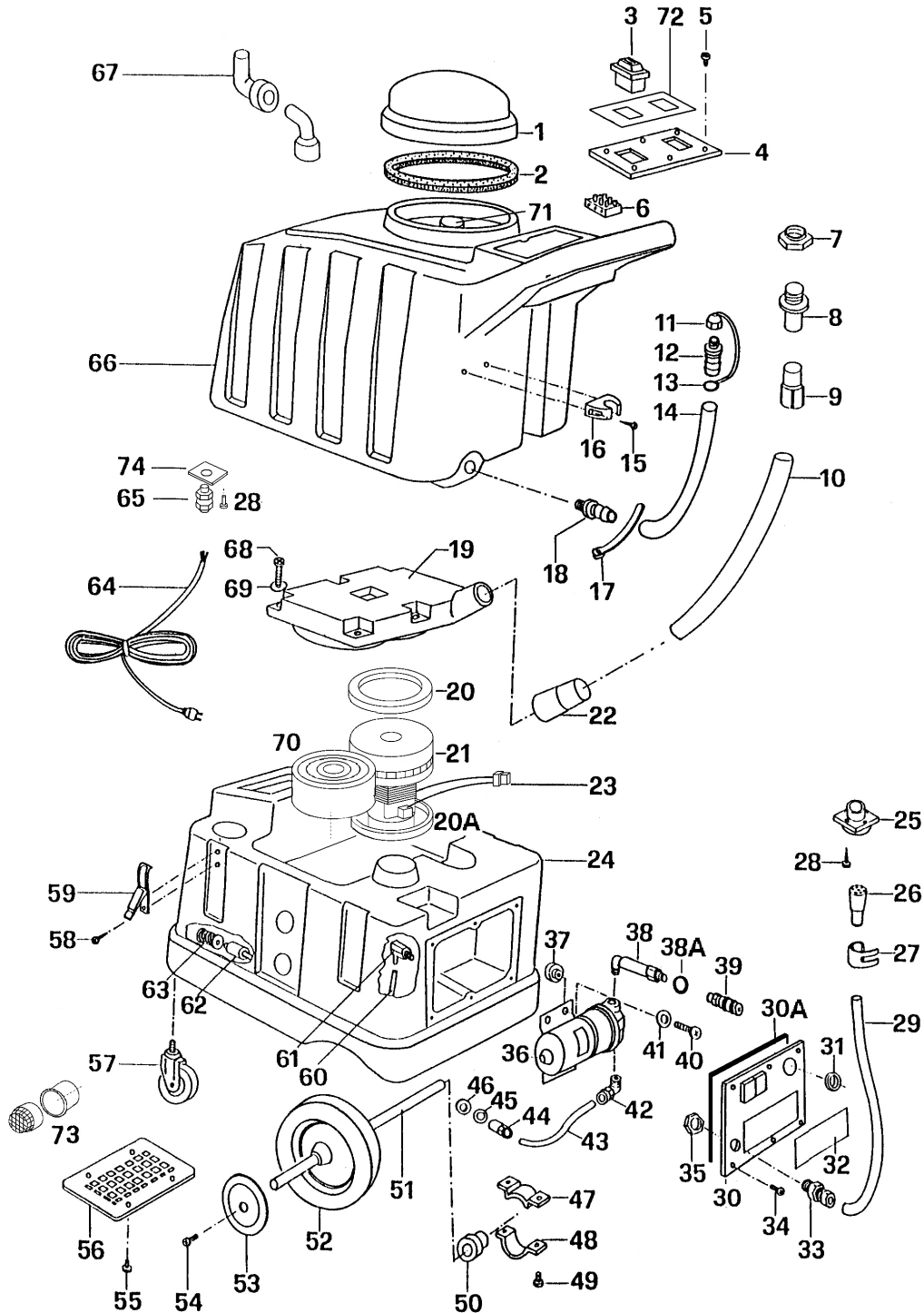
Tempest 18 SX

Schematic Drawing

1205 Britannia Rd. E. Mississauga, Ontario, Canada L4W 1C4

Tel.: 1-800-387-3210 Fax: 1-800-709-2896

www.naceinc.com E-mail: info@naceinc.com`





1205 Britannia Rd. E. Mississauga, Ontario, Canada L4W 1C4
Tel.: 1-800-387-3210 Fax: 1-800-709-2896
www.naceinc.com E-mail: info@naceinc.com

Tempest 18 SX

Parts List
Page 1 of 2

| Item # | Part # | DESCRIPTION |
|----------|------------|------------------------------|
| 1 | SP-15178 | COVER |
| | SP-15178C | COVER WITH GASKET |
| 2 | SP-15179 | GASKET |
| 3 | SP-15217 | SWITCH |
| 4 | SP-15176 | PANEL |
| 5 | SP-15536 | SCREW |
| 6 | SP-15236 | CONNECTING TERMINAL |
| 7 | SP-15548 | NUT |
| 8 | SP-15365 | HOSE NIPPLE |
| 9 | SP-15334 | CUFF |
| 10 | SP-15364 | HOSE D38 |
| 11 | SP-15159 | CAP |
| 12 | SP-15161 | HOSE NIPPLE |
| 13 | SP-15162 | TIE |
| 14 | SP-15358 | DRAIN HOSE |
| 15 | SP-15544 | SCREW |
| 16 | SP-15160 | CLIP |
| 17 | SP-15541 | TIE |
| 18 | SP-15161 | HOSE NIPPLE |
| 19 | SP-15155 | MANIFOLD |
| 20 | SP-15825 | GASKET 3mm |
| 20A | SP-15812 | GASKET 10mm |
| 21 | SP-15809 | MOTOR 1000W 110V 50-60 HZ |
| 22 | SP-15363 | CUFF |
| 23 | SP-15234 | CONNECTOR |
| 24 | SP-15152 | BLUE LOWER TANK |
| 25 | SP-152591C | SOCKET WITH WIRES |
| 26,27,29 | SP-152611C | WIRING HARNESS |
| 27 | SP-15265 | TIE |
| 28 | SP-15538 | SCREW |
| 29 | SP-15261 | CABLE SHEATH |
| 30 | SP-15148 | PANEL |
| 30A | SP-15186 | PANEL GASKET |
| 31 | SP-15163 | BUSH |
| 32 | SP-15157 | PANEL LABEL |
| 33 | SP-15262 | CONNECTING PART |
| 34 | SP-15536 | SCREW |
| 35 | SP-15564 | NUT |
| 36 | SP-15644 | SHURFLO PUMP 100PSI 110-115V |
| 37 | SP-15736 | VIBRATION DAMPING |



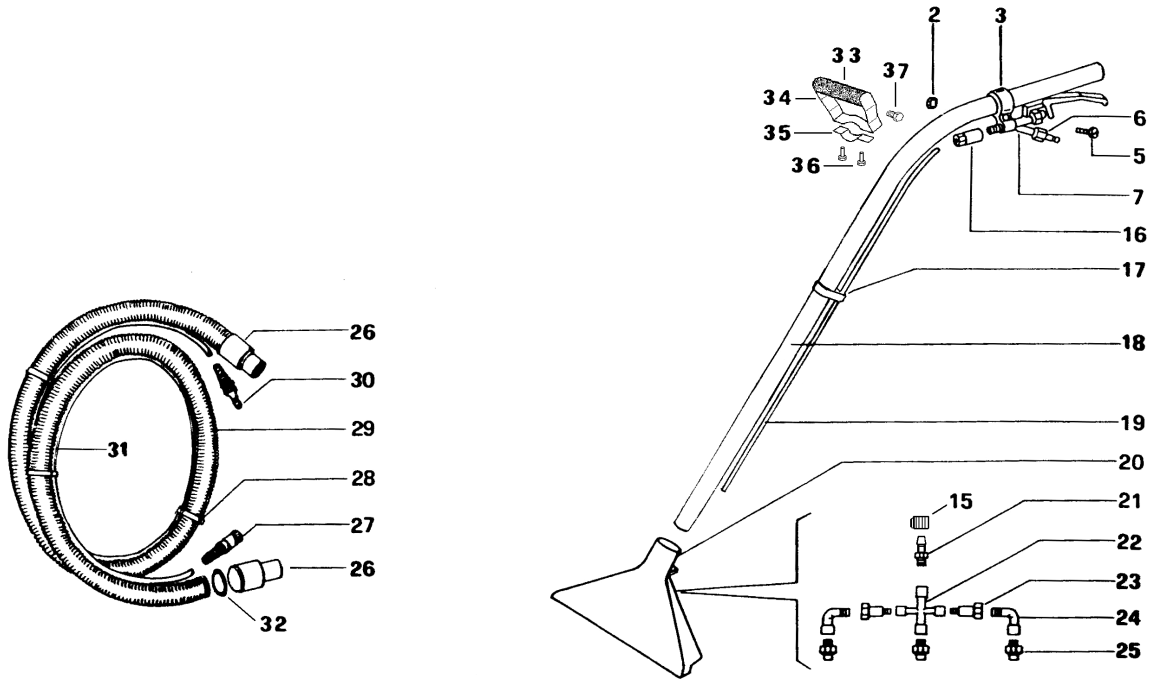
| | | |
|-----|-----------|----------------------------|
| 38 | SP-15720 | ELBOW |
| | SP-15753 | EXTENSION FOR METAL COUPL. |
| 38A | SP-15137 | O-RING FOR QUICK DISCONN. |
| 39 | SP-15687 | METAL QUICK DISC. FEMALE |
| 40 | SP-15546 | SCREW 5x25 |
| 41 | SP-15517 | WASHER |
| 42 | SP-15622 | ELBOW |
| 43 | SP-15746 | RILSAN PIPE |
| 44 | SP-15714 | QUICK DISCONN.-FEMALE |
| 45 | SP-15540 | METAL WASHER |
| 46 | SP-15147 | NEOPRENE WASHER |
| 47 | SP-15420 | UPPER BEARING FLANGE |
| 48 | SP-15421 | LOWER BEARING FLANGE |
| 49 | SP-15549 | SCREW |
| 50 | SP-15419 | PILLOW BLOCK |
| 51 | SP-15418 | SHAFT |
| 52 | SP-15422 | WHEEL |
| 53 | SP-15423 | WHEEL COVER |
| 54 | SP-15582 | SCREW |
| 55 | SP-15536 | SCREW |
| 56 | SP-15180 | LOWER PANEL |
| 57 | SP-15115 | WHEEL |
| 58 | SP-15545 | SCREW |
| 59 | SP-15142 | TOGGLE |
| 60 | SP-15745 | EXTRAFLEX PIPE |
| 61 | SP-15724 | CONNECTING PART |
| | SP-15702 | HOSE NIPLLE |
| 62 | SP-15747 | BALLAST |
| 63 | SP-15608 | FILTER |
| 64 | SP-15215 | CABLE 3 x 14 AWG x 15m |
| 65 | SP-15295 | FAIRLEAD WITH NUT |
| 66 | SP-15151 | BLUE UPPER TANK |
| 67 | SP-15131 | ELBOW |
| 68 | SP-15560 | SCREW |
| 69 | SP-15517 | WASHER |
| 70 | SP-15203 | FOAM SPACER |
| 71 | SP-15183 | 45° ELBOW |
| 72 | SP-15181 | UPPER PANEL LABEL |
| 73 | SP-15116C | FILTER WITH SUPPORT |
| 74 | SP-15109 | PLATE FOR FAIRLEAD |



ACCESSORY WAND AND HOSE
 SP-12300 & SP-12300PE
 SP-13020 & SP-13020PE

1205 Britannia Rd. E. Mississauga, Ontario, Canada L4W 1C4
 Tel.: 1-800-387-3210 Fax: 1-800-709-2896
 www.naceinc.com E-mail: info@naceinc.com

Schematic Drawing





ACCESSORY WAND AND HOSE

SP-12300 & SP-12300PE
SP-13020 & SP- 13020PE

1205 Britannia Rd. E. Mississauga, Ontario, Canada L4W 1C4
 Tel.: 1-800-387-3210 Fax: 1-800-709-2896
 www.naceinc.com E-mail: info@naceinc.com

Parts List

| Item # | Part # | DESCRIPTION |
|--------|------------|-------------------------------|
| 2 | SP-12525 | NUT |
| 3 | SP-12319 | VALVE LOCK |
| 5 | SP-15504 | SCREW |
| 6 | SP-15689 | METAL QUICK DISCONN. MALE |
| | SP-15689PE | BRASS PE QUICK DISCONN. MALE |
| 7 | SP-12320 | SOLUTION VALVE |
| 15 | SP-12609 | TIE |
| 16 | SP-15690 | COUPLING FOR SOLUTION PIPE |
| 17 | SP-12682 | TIE |
| 18 | SP-12340 | STAINLESS STEEL TUBE D.38 |
| 19 | SP-12347 | 6x14 SOLUTION HOSE, BRAIDED |
| 20 | SP-12311 | ALUMINIUM HEAD |
| 21 | SP-15702B | HOSE NIPPLE |
| 22 | SP-12685 | CROSS |
| 23 | SP-12686 | EXTENSION |
| 24 | SP-12626 | ELBOW |
| 25 | SP-12671 | NOZZLE 02/110 |
| 26 | SP-15334 | HOSE CUFF D. 38 |
| 27 | SP-15687 | METAL QUICK DISC. F. |
| | SP-15687PE | BRASS PE QUICK DISC. F. |
| | SP-15690 | COUPLING FOR SOLUTION PIPE |
| 28 | SP-13695 | TIE FOR BRAIDED SOLUTION HOSE |
| 29 | SP-13368 | VACUUM HOSE, 20' |
| 30 | SP-15688 | METAL QUICK DISCONNECT MALE |
| | SP-15688PE | BRASS PE QUICK DISCONN. MALE |
| | SP-15690 | COUPLING FOR SOLUTION PIPE |
| 31 | SP-13341 | SOLUTION TUBE |
| 32 | SP-13112 | RING |
| 33 | SP-121173 | HAND GRIP CYLINDER |
| | SP-121174 | HAND GRIP, TEXTURED |
| 34 | SP-121171 | UPPER PART FOR HANDLE |
| 35 | SP-121172 | LOWER PART FOR HANDLE |
| 36 | SP-15584 | SCREW , 6 x 12 |
| 37 | SP-15509 | SCREW, 6 x 20 |