

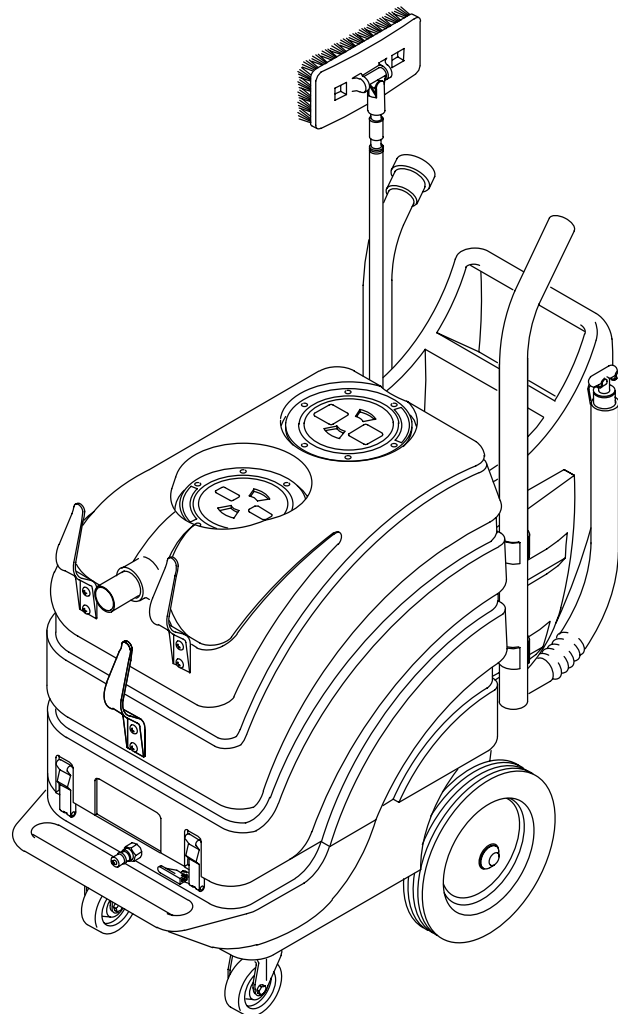


# Quick Clean™ 1500

All Surface Cleaner  
Limpiador universal de superficies

Model No.:  
609640  
609799 - Can.

Operator and Parts Manual  
Manual del Operador y Piezas



**NOBLES**  
12875 RANSOM STREET  
HOLLAND MI 49424 U.S.A.

CUSTOMER SERVICE: 1-800-365-6625  
FAX: 1-800-678-4240

609759  
Rev. 02 (07-00)

# OPERATION

This manual is furnished with each new model. It provides necessary operation and maintenance instructions and an illustrated parts list.

**Read this manual completely and understand the machine before operating or servicing it.**

Use the illustrated Parts Lists to order replacement parts. Before ordering parts or supplies, be sure to have your machine model number and serial number handy. Parts and supplies may be ordered by phone or mail from any authorized parts and service center, distributor or from any of the manufacturer's subsidiaries.

This machine will provide excellent service. However, the best results will be obtained at minimum costs if:

- The machine is operated with reasonable care.
- The machine is maintained regularly - per the maintenance instructions provided.
- The machine is maintained with manufacturer supplied or equivalent parts.

## MACHINE DATA

Please fill out at time of installation for future reference.

Model No.- \_\_\_\_\_

Install. Date - \_\_\_\_\_

Serial No.- \_\_\_\_\_

© 2000 Tennant Company Printed in U.S.A.

Nobles is a registered United States trademark of Tennant Company.

Quick Clean is a United States trademark of Tennant Company.

## TABLE OF CONTENTS ( Español – Página 20 )

<b>SAFETY PRECAUTIONS</b> .....	3	MONTHLY MAINTENANCE .....	16
GROUNDING INSTRUCTIONS .....	3	QUARTERLY MAINTENANCE .....	16
<b>SAFETY LABELS</b> .....	4	ACCESSING INTERNAL COMPONENTS .....	16
<b>MACHINE COMPONENTS</b> .....	5	<b>STORING MACHINE</b> .....	17
<b>UNPACKING MACHINE</b> .....	6	STORING MACHINE IN	
CARTON CONTENTS: .....	6	FREEZING TEMPERATURES .....	17
<b>PREPARING MACHINE FOR CLEANING APPLICATION</b> .....	6	<b>RECOMMENDED STOCK ITEMS</b> .....	17
INSTALLING LIQUID CLEANING AGENT (FORMULA 710) CONTAINER .....	6	<b>TROUBLE SHOOTING</b> .....	18
FILLING SOLUTION TANK .....	7	<b>SPECIFICATIONS</b> .....	19
CONNECTING POWER CORD TO WALL OUTLET .....	7	<b>PARTS LIST</b> .....	42
<b>CLEANING APPLICATION</b> .....	8	UPPER HOUSING GROUP .....	42
A: PREPARING AREA .....	8	LOWER HOUSING GROUP .....	44
B: APPLYING CLEANING AGENT (FORMULA 710) .....	8	HANDLE GROUP .....	46
C: RINSING AREA .....	10	PLUMBING GROUP .....	48
D: BLOW DRYING AND SQUEEGEEING .....	10	SOLUTION PUMP GROUP .....	50
<b>DRAINING TANKS</b> .....	12	TELESCOPING BRUSH .....	51
DRAINING RECOVERY TANK .....	12	VACUUM AND BLOWER HOSES .....	51
ELEVATED DRAINING .....	12	WAND/HOSE TOOL ACCESSORY KIT .....	51
EMPTYING SOLUTION TANK .....	13	HOSE ATTACHMENTS .....	51
<b>OTHER CLEANING USES WITH MACHINE</b> .....	13	SPRAY GUN AND HOSE .....	52
BLOWER HOSE CLEANING .....	13	GLASS SQUEEGEE .....	52
CARPET CLEANING (OPTION) .....	13	FORMULA .....	52
<b>MACHINE MAINTENANCE</b> .....	14	SOLUTION TANK FILL HOSE .....	52
HOUR METER .....	14	<b>ELECTRICAL DIAGRAMS</b> .....	53
DAILY MAINTENANCE .....	14	<b>OPTIONS</b> .....	54
		15 FT (4.6 M) VACUUM AND BLOWER HOSES .....	54
		15 FT (4.6 M) SPRAY GUN SOLUTION HOSE .....	54
		13 IN (330 MM) CARPET CLEANING FLOOR TOOL .....	55

## SAFETY PRECAUTIONS

This machine is intended for commercial use. It is designed to clean water-resistant surfaces in an indoor environment and is not constructed for any other use. Do not use machine for dry pick-up. Use only recommended cleaning formulas and accessory tools.

All operators must read, understand and practice the following safety precautions.

The following safety alert symbols are used throughout this manual as indicated in their description:

**⚠ WARNING:** To warn of hazards or unsafe practices which could result in severe personal injury or death.

**FOR SAFETY:** To identify actions which must be followed for safe operation of equipment.

The following information signals potentially dangerous conditions to the operator or equipment:

**FOR SAFETY:**

1. **Do not operate machine:**
  - Unless trained and authorized.
  - Unless operator manual is read and understood.
  - Unless safety goggles are worn.
  - In flammable or explosive areas.
  - With damaged cord or plug.
  - If not in proper operating condition.
  - In outdoor areas.
  - In standing water.
  - With the use of an extension cord.
2. **Before operating machine:**
  - Make sure all safety devices are in place and operate properly.
  - Place “WET FLOOR” signs as needed.
3. **When using machine:**
  - Do not run machine over cord.
  - Do not pull machine by plug or cord.
  - Do not pull cord around sharp edges or corners.
  - Do not unplug by pulling on cord.
  - Do not stretch cord.
  - Do not handle plug with wet hands.
  - Follow mixing, handling, and disposal instructions provided on chemical container instructions and MSDS sheets.
  - Never point spray gun at a person’s face.
  - Do not spray solution into electrical outlets, switches, fuse boxes or on electrical appliances.

- Keep cord away from heated surfaces.
- Report machine damage or faulty operation immediately.
- Wear rubber sole traction boots to prevent slipping.

4. **Before leaving or servicing machine:**

- Turn off machine.
- Unplug cord from wall outlet.

5. **When servicing machine:**

- Unplug cord from wall outlet.
- Avoid moving parts. Do not wear loose jackets, shirts, or sleeves.
- Use manufacturer supplied or approved replacement parts.

**⚠ WARNING:** Hazardous Voltage. Shock or electrocution can result. Always unplug machine before servicing.

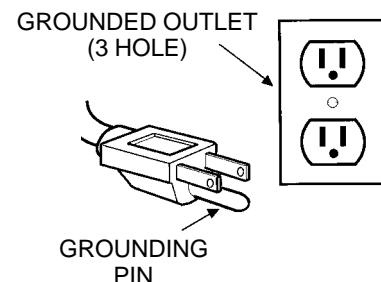
**⚠ WARNING:** Flammable materials can cause an explosion or fire. Do not use flammable materials in tank(s).

**⚠ WARNING:** Flammable materials or reactive metals can cause an explosion or fire. Do not pick up.

**⚠ WARNING:** The Ground Fault Circuit Interrupter (GFCI) does not protect user against electrical shock due to contact with both circuit conductors or a fault in any wiring supplying this device. Do not use extension cord between GFCI And power outlet.

## GROUNDING INSTRUCTIONS

Machine must be grounded. If it should malfunction or breakdown, grounding provides a path of least resistance for electrical current to reduce the risk of electrical shock. This machine is equipped with a cord having an equipment-grounding conductor and grounding plug. The plug must be plugged into an appropriate outlet that is properly installed in accordance with all local codes and ordinances. Do not remove ground pin; if missing, replace plug before use.



# OPERATION

---

## SAFETY LABELS

---

The safety labels appear on the machine in the locations indicated. Replace labels if they become damaged or illegible.



**⚠ FLAMMABLE MATERIALS/ SPILLS LABEL** – Located near solution tank fill port and on recovery tank lid.

**WARNING:** Flammable materials can cause an explosion or fire. Do not use flammable materials in tank(s). Flammable materials or reactive metals can cause explosion or fire. Do not pick up.



**FOR SAFETY LABEL**  
– Located on recovery tank lid.

**FOR SAFETY:** Do not operate machine unless safety goggles are worn.

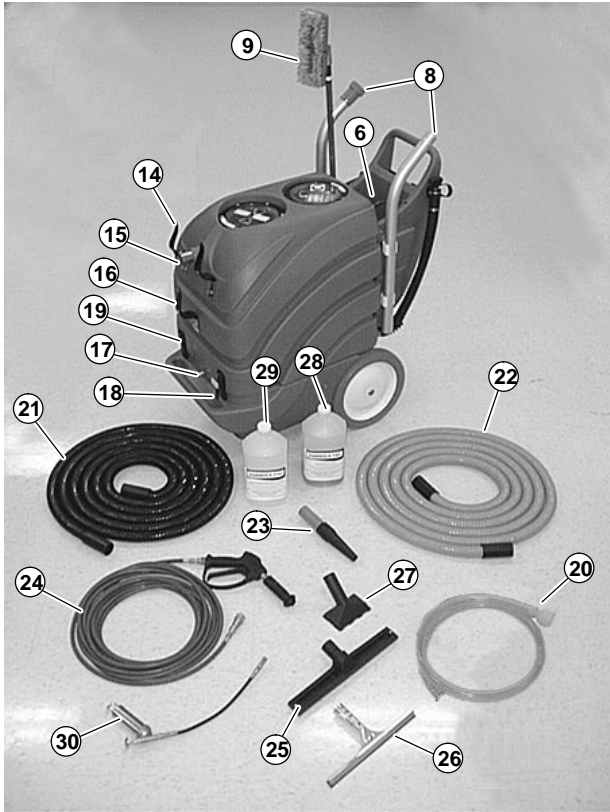


**FOR SAFETY LABEL**  
– Located on dash panel.

**FOR SAFETY:** Do not operate machine unless operator manual is read and understood.

**⚠ WARNING LABEL**  
– Located on handle housing.  
Label warns operator of safe practices of equipment  
–English text.

MACHINE COMPONENTS



- 1. Vacuum/Blower ON/OFF Switch
- 2. Pump ON/OFF Switch
- 3. Hour Meter
- 4. Blower Hose Connector
- 5. Power Cord equipped with Ground Fault Circuit Interrupter Device
- 6. Accessory Tools/Cleaning Formula Compartment
- 7. Formula Injector Hose
- 8. Two Piece Double Bend Wand
- 9. Floor Brush
- 10. Recovery Tank
- 11. Recovery Tank Drain Hose
- 12. Solution Tank
- 13. 12 in. (305mm) Stair Climbing Wheels
- 14. Vacuum Hose Storage Hooks
- 15. Vacuum Hose Connector
- 16. Spray Gun Storage Hook
- 17. Solution Hose Coupler
- 18. Cleaning Formula ON/OFF Lever
- 19. Internal Component Access Latches
- 20. Solution Tank Fill Hose
- 21. 25 ft. ( 7.6 M) Vacuum Hose (Black)
- 22. 25 ft. ( 7.6 M) Blower Hose (Gray)
- 23. Blower Hose Nozzle
- 24. Spray Gun and Solution Hose
- 25. 14 in. (356mm) Squeegee Floor Tool Attachment
- 26. Glass Squeegee Hand Tool
- 27. Gulper Tool Vacuum Hose Attachment
- 28. Formula 710 Cleaner (sample)
- 29. Formula 720 Rinse (sample)
- 30. Grease Gun for Pump

# OPERATION

---

---

## UNPACKING MACHINE

---

Carefully check carton for signs of damage. Report damages to carrier immediately.

Check Carton Contents to ensure carton is complete. Contact distributor for missing items.

### Carton Contents:

- Machine
- Black Vacuum Hose
- Gray Blower Hose
- Two Piece Double Bend Wand
- (14 in) Squeegee Tool Attachment
- Glass Squeegee Hand Tool
- Gulper Tool
- Blower Nozzle
- Fill Hose
- Spray Gun, Spray Nozzle and Solution Hose
- Floor Brush Attachment
- Telescoping Wand for Floor Brush
- One Gallon of Formula 710 Acid Cleaner
- One Gallon of Formula 720 Multi-Surface Rinse
- 3 Metering Tips (bagged separately)
- Injector Tube Cap (Installed on blue tube)
- Grease Gun for Pump



FIG. 1

2. Select the desired metering tip (Tips supplied with machine) and thread tip into blue injection tube on machine (Figure 2). Dispensing rates shown are for Formula 710. Substitute chemicals may have different dispensing rates. An orange tip is factory installed.

Orange Tip= 2 oz. per gallon (15ml./L)  
for light cleaning

Red Tip= 4 oz. per gallon (30ml./L)  
for medium cleaning

Blue Tip= 6 oz. per gallon (44ml./L)  
for heavy cleaning.



FIG. 2

3. Place the cleaning agent container into the accessory tools/cleaning formula compartment. Remove cap from container and attach blue injector tube cap. Push blue tube to bottom of container (Figure 3).



FIG. 3

**ATTENTION: Do not add cleaning chemicals (Formula 710) to the solution tank.**

---

## PREPARING MACHINE FOR CLEANING APPLICATION

---

### INSTALLING LIQUID CLEANING AGENT (FORMULA 710) CONTAINER

Each new machine is equipped with a one gallon (3.8L) sample of Formula 710 Multi-Surface Acid Cleaner. It is designed for use in this machine, and is specifically formulated to clean soap scum, hard water scale, and soils typically found in restrooms, showers, swimming pool areas, etc. Use only on water-resistant surfaces. To order additional Formula 710, contact your supplier.

**ATTENTION: Use of unapproved or inappropriate chemicals may cause damage to machine and surfaces and could void your warranty**

**FOR SAFETY: When using machine, follow mixing, handling, and disposal instructions provided on chemical container instructions and MSDS sheets.**

1. Remove cap from the blue injector tube. Do not misplace cap (Figure 1). Use cap to prevent injector tube from clogging when machine is not in use.

## FILLING SOLUTION TANK

Each new machine is equipped with a one gallon (3.8L) sample of Formula 720 Multi-Surface Rinse. The rinse formula should be added to the solution tank before operation. Formula 720 is intended to be used for rinsing surfaces after cleaning to reduce water spotting and speed drying. To order additional Formula 720, contact your supplier.

**ATTENTION: Use of unapproved or inappropriate chemicals may cause damage to machine and surfaces and could void your warranty**

**FOR SAFETY: When using machine, follow mixing, handling, and disposal instructions provided on chemical container instructions and MSDS sheets.**

1. Remove front solution tank lid from machine. Add Formula 720 Rinse or approved substitute to the tank as per dilution instructions on bottle (Figure 4).



FIG. 4

2. Connect fill-hose (supplied with machine) to water faucet and fill tank with 15 gallons (56L) of clean water (Figure 5). If using hot water, do not exceed 140°F (60°C).

**⚠ WARNING: Flammable materials can cause an explosion or fire. Do not use flammable materials in tank(s).**



FIG. 5

3. Replace solution tank lid after filling.

## CONNECTING POWER CORD TO WALL OUTLET

1. Connect power cord into a grounded wall outlet (Figure 6). Use a wall outlet outside the area to be cleaned.

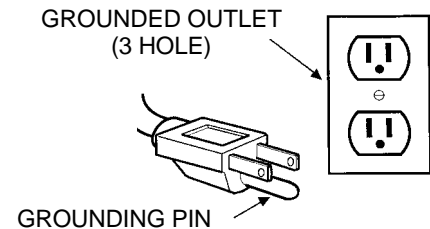


FIG. 6

**FOR SAFETY: Do not operate machine with the use of an extension cord.**

2. The power cord is equipped with a Ground Fault Circuit Interrupter device (Figure 7). The GFCI protects the user against electrical shock.

Test GFCI device before each use.

- a. Verify that the indicator is red.
- b. Press test button, red indicator should disappear.
- c. Press reset button. If test fails, do not use machine. Call an authorized service representative for assistance.



FIG. 7

**⚠ WARNING: The Ground Fault Circuit Interrupter (GFCI) does not protect user against electrical shock due to contact with both circuit conductors or a fault in any wiring supplying this device. Do not use extension cord between GFCI and power outlet.**

# OPERATION

---

---

## CLEANING APPLICATION

---

**FOR SAFETY:** Do not operate machine unless operator manual is read and understood.

**ATTENTION:** The machine is designed to clean water-resistant surfaces only; such as concrete, ceramic tile, quarry tile, glass, sinks, urinals, toilets, restroom partitions, showers, pipes, mirrors and other areas subject to soap, mineral deposits and daily soils.

Cleaning Application is not recommended on painted plaster board/dry wall and wall papered surfaces.

Contact your local distributor for recommended cleaning agents for cleaning kitchens, stair wells, windows, etc.

**ATTENTION:** Floors should be sealed to prevent water seepage. Inspect all grout lines, seams, corners, etc. for cracks. Repair as needed. We are not responsible for any water damage.

Safety goggles, protective gloves and protective clothing (not supplied) are required while cleaning. Safety goggles must be designed to protect eyes from liquid splash (Figure 8).

**FOR SAFETY:** Do not operate machine, unless safety goggles are worn.



FIG. 8

---

## A: PREPARING AREA

1. Sweep area of debris.
2. Remove trash containers from room.
3. Remove exposed paper products from room.
4. Dust clean overhead fixtures and vents. Machine is designed for dust cleaning (See OTHER CLEANING USES WITH MACHINE).

5. Flush all fixtures in restrooms and keep lids open on toilets.
6. Protect all electrical outlets, switches, fuse boxes, and connective devices with waterproof shields.
7. Cover any exposed item that you do not want to get wet.
8. Position machine in doorway to block access to area.
9. Use a door stop to prevent hose damage. Do not close doors on hoses.

**FOR SAFETY:** Before operating machine, place “WET FLOOR” signs as needed.

---

## B: APPLYING CLEANING AGENT (FORMULA 710)

1. If area is not equipped with a floor drain, connect black recovery hose at front of machine, attach gulper tool and place tool where water may puddle when operating (Figure 9).



FIG. 9

2. Connect spray gun to solution hose then connect hose to coupler at front of machine (Figure 10).



FIG. 10

3. Turn the FORMULA ON/OFF lever to the ON position, located at front of machine (Figure 11).



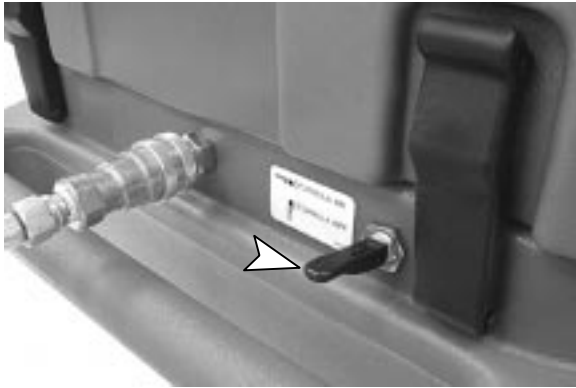


FIG. 11

**NOTE:** To operate spray gun at **LOW PRESSURE** without the use of Formula cleaner, turn **FORMULA ON/OFF** lever to the **OFF** position.

4. Adjust gun to low pressure by pushing spray nozzle outward. Turn spray nozzle counter-clockwise for fan spray pattern (Figure 12).



FIG. 12

5. Activate pump switch. Press vacuum/blower switch towards vacuum symbol if using gulper tool (Figure 13).



FIG. 13

6. Starting at the furthest point in room, begin spraying entire area from bottom to top working towards machine. The cleaning agent (Formula 710) may take up to 5 seconds before it starts to inject. After spraying entire area, turn machine off and allow cleaner to work for 5–10 minutes (Figure 14).



FIG. 14

**NOTE:** It may take pump 5–10 seconds to prime. Nozzle must be set at low pressure in order for pump to prime.

**FOR SAFETY:** When using machine, do not spray solution into electrical outlets, switches, fuse boxes or on electrical appliances.

**NOTE:** After applying cleaner, turn the **FORMULA ON/OFF** lever to the **OFF** position and rinse gun of cleaning formula.

7. While the cleaning solution is working, use the brush tool to scrub corners, cove base and heavily soiled areas (Figure 15).



FIG. 15

# OPERATION

## C: RINSING AREA

**FOR SAFETY:** Do not operate machine unless safety goggles are worn.

**NOTE:** Use gulper tool if area is not equipped with a floor drain.

1. Adjust spray gun to high pressure by pulling spray nozzle inward (Figure 16).



FIG. 16

2. Activate pump switch. If using gulper tool, press vacuum/blower switch towards vacuum symbol (Figure 17).

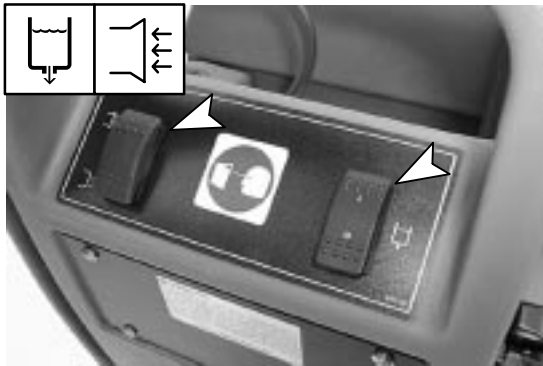


FIG. 17

3. Begin rinsing entire area from top to bottom. Turn spray nozzle clockwise to pin-point grout lines, heavily soiled and hard to reach areas (Figure 18).

**NOTE:** Operating the gun at high pressure will automatically stop injecting cleaning agent.



FIG. 18

**FOR SAFETY:** When using machine, do not spray solution into electrical outlets, switches, fuse boxes or on electrical appliances.

**FOR SAFETY:** When using machine, never point spray gun at a person's face.

4. To operate spray gun at low pressure without dispensing cleaning agent, turn FORMULA ON/OFF lever to the OFF position (Figure 19).



FIG. 19

5. If solution tank runs dry while operating, you must operate spray gun at low pressure to reprime pump. DO NOT OPERATE PUMP DRY.
6. After thoroughly rinsing entire area, shut machine off. Wipe off solution hose and return gun to storage hook.

**ATTENTION:** Relieve water pressure from spray gun before disconnecting hose.

## D: BLOW DRYING AND SQUEEGEEING

**NOTE:** Use of Formula 720 Rinse will help reduce the need and time required for blow drying surfaces.

1. Using glass squeegee tool (supplied with machine), squeegee mirrors if applicable (Figure 20).



FIG. 20

2. Unwrap gray blower hose from machine handle and connect hose at rear of machine, attach blower nozzle to hose (Figure 21).

**ATTENTION: Do not use black recovery hose when blow drying. Contaminates will be blown into the air.**



FIG. 21

3. Press vacuum/blower switch towards blower symbol to activate blower (Figure 22).



FIG. 22

4. Begin blow drying surfaces from top to bottom, pushing rinse solution to floor. When finished, shut off blower, wipe off hose and replace it on machine (Figure 23).



FIG. 23

5. Assemble the double-bend wand, attach squeegee tool and connect wand to black recovery hose. Connect black recovery hose at front of machine (Figure 24).



FIG. 24

6. Press vacuum/blower switch towards vacuum symbol (Figure 25).



FIG. 25

7. Start at doorway and extract entire area with floor squeegee. Operator should always be standing on a dry surface when operating floor wand (Figure 26).



FIG. 26

**⚠ WARNING: Flammable materials or reactive metals can cause an explosion or fire. Do not pick up.**

## OPERATION

8. While cleaning, periodically check for excessive foam in recovery tank. Pour a recommended foam control solution into the recovery tank if excessive foam appears. This will prevent vacuum motor damage (Figure 27).



FIG. 27

**ATTENTION: Excessive foam buildup will not activate the float shut-off screen.**

9. If squeegee begins to trail water while operating, recovery tank must be drained (See DRAINING TANKS).
10. When finished cleaning, turn machine off and wipe off blower and vacuum hoses. Store hoses on machine.
11. Push machine to drain sit and empty recovery tank.

**NOTE:** After cleaning one area, it is best to empty the recovery tank before proceeding to the next area to be cleaned.

## DRAINING TANKS

When finished cleaning, the recovery tank should be drained and cleaned. If you have left-over rinse solution, it can remain in solution tank for next use. Drain solution tank when storing machine for extended periods or when transporting machine.

**FOR SAFETY: When servicing machine, unplug cord from wall outlet.**

### DRAINING RECOVERY TANK

Recovery tank must be emptied prior to refilling solution tank.

1. Turn machine off, unplug power cord and push machine to drain site.
2. Remove drain hose from holder. Turn drain hose knob counter-clockwise approximately three full turns and pull out plug to drain. Keep hose above water level when removing plug (Figure 28).



FIG. 28

3. Rinse out recovery tank after each use to prevent foul odor. Be careful not to spray water into float shut-off screen.
4. Replace drain hose plug tightly after draining.

## ELEVATED DRAINING

Use the convenient pump-out procedure if drain site exceeds 13 inches (33 cm.) in height.

1. Attach gray blower hose to blower hose connector and to vacuum hose connector (Figure 29).



FIG. 29

**ATTENTION: Make sure recovery tank lid is secure before activating blower.**

2. Remove drain hose knob, direct hose into elevated drain site and activate blower (Figure 30).



FIG. 30

## EMPTYING SOLUTION TANK

1. Connect black recovery hose at front of machine and remove solution tank lid.
2. Press vacuum/blower switch towards vacuum symbol.
3. Extract remaining rinse solution from solution tank and flush tank with clean water (Figure 31).



FIG. 31

4. Turn off machine, unplug power cord and drain recovery tank.

## OTHER CLEANING USES WITH MACHINE

### BLOWER HOSE CLEANING

Use gray blower hose to blow out debris from hard to reach areas and to remove dust and cobwebs from overhead fixtures and vents (Figure 32).

**ATTENTION: Do not use machine for dry pick-up.**



FIG. 32

## CARPET CLEANING (OPTION)

Machine can be used to clean carpet with the use of an optional carpet cleaning floor tool (See OPTIONS).

1. Connect fill-hose (supplied with machine) to water faucet and fill tank with 15 gallons (57L) of hot water, 140°F (60°C) maximum temperature.

DO NOT ADD CLEANING AGENTS TO SOLUTION TANK, certain cleaning agents may damage pump. Use a pump-up sprayer to apply the cleaning agent mix to the carpet.

**⚠ WARNING: Flammable materials can cause an explosion or fire. Do not use flammable materials in tank(s).**

2. Use the equipped vacuum and solution hoses and connect them to floor tool and then to front of machine (Figure 33).



FIG. 33

3. Turn the FORMULA ON/OFF lever to the OFF position, located at front of machine (Figure 34).



FIG. 34

# OPERATION

4. Activate pump switch and press vacuum/blower switch towards vacuum symbol (Figure 35).



FIG. 35

5. Operate floor tool as normal (Figure 36).

**⚠ WARNING: Flammable materials or reactive metals can cause an explosion or fire. Do not pick up.**



FIG. 36

6. After cleaning, relieve water pressure from tool before disconnecting hose. Squeeze trigger for five seconds after turning switches off.
7. Perform recommended maintenance procedures (See MACHINE MAINTENANCE).

## MACHINE MAINTENANCE

To keep machine in good working condition, follow machine's daily, monthly and quarterly maintenance procedures.

**FOR SAFETY: When servicing machine, unplug cord from wall outlet.**

**ATTENTION: Machine repairs must be performed by authorized personnel only.**

## HOUR METER

Each machine is equipped with an hour meter to record total hours of pump use. Use meter to determine when to perform recommended maintenance procedures and to record service history (Figure 37).



FIG. 37

## DAILY MAINTENANCE

1. Clean metering tip and flush blue injector tube as described below:
  - a. Fill solution tank with 3 gallons (11L) of clean water.
  - b. Remove metering tip from injector tube and clean tip. Do not use pointed objects such as pins and paper clips to unplug tips (Figure 38).



FIG. 38

- c. Submerge end of injector tube into a gallon container of clean water (Figure 39).



**FIG. 39**

- d. Adjust spray gun to low pressure by pushing spray nozzle outward.
  - e. Turn the FORMULA ON/OFF lever to the ON position, located at front of machine.
  - f. Turn pump switch on and operate spray gun for approximately one minute.
  - g. Place cap on injector hose after flushing.
2. Drain and rinse recovery tank thoroughly (Figure 40).



**FIG. 40**

3. Remove the float shut-off screen from recovery tank cover and clean (Figure 41).



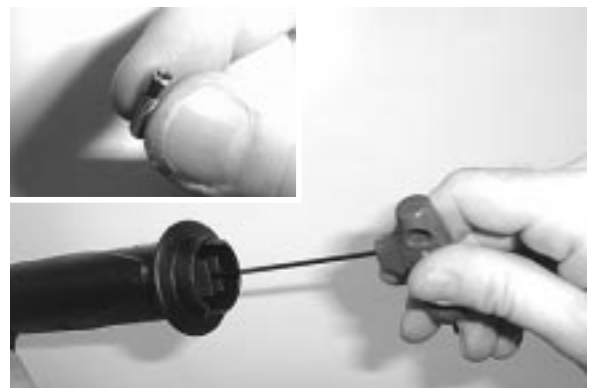
**FIG. 41**

4. Empty any leftover water from solution tank if storing machine for an extended period or if transporting machine (See DRAINING TANKS).
5. Wipe clean all accessories and replace on machine. Inspect vacuum hoses for holes and loose cuffs.
6. Inspect condition of squeegee blades, replace if necessary.
7. Wipe clean power cord and check for damage. Replace if necessary. Coil cord neatly after use.
8. Clean machine with an all purpose cleaner and damp cloth (Figure 42).



**FIG. 42**

9. Inspect spray gun pattern. Clean or replace orifice if spray pattern will not pin-point. Use a 5/64" Allen wrench to remove orifice (Figure 43).



**FIG. 43**

# OPERATION

## MONTHLY MAINTENANCE

1. Flush solution system with an acetic acid solution to dissolve normal alkaline chemical buildup.
  - a. Premix 16 oz. (.5L) of an acetic acid solution with 2 gallons (7.5L) of hot water, 140°F (60°C) maximum, and pour into solution tank.

**FOR SAFETY: When using machine, follow mixing and handling instructions on chemical containers.**

- b. Turn off pump switch.
  - c. Over a floor drain operate spray gun for one minute.
  - d. Shut off machine and allow remaining solution to break down alkaline buildup overnight.
  - e. Next day, spray out remaining solution and flush system with 3 gallons (11L) of clean water.
2. Lubricate wheels and casters with a water resistant oil.
  3. Inspect machine for water leaks and loose hardware.
  4. Every 40 hours of use, pump must be greased. Refer to hour meter. Each new machine is equipped with a grease gun (#190022).
    - a. Open machine to access pump (See ACCESSING INTERNAL COMPONENTS).
    - b. Remove safety cover from pump by pinching tabs and pulling outward.
    - c. Insert grease gun nozzle onto pump's grease fitting (Figure 44).
    - d. Slowly push plunger completely down one to two times. Do not over grease pump, seals may damage.

**ATTENTION: Do not use air powered or hand lever grease guns, pump damage may result.**

- e. Apply a generous dab of grease to outer diameter of cam bearing at top and bottom where bearing contacts connecting rod.
- f. Check pump periodically and remove any excess grease from pump cavity.



FIG. 44

## QUARTERLY MAINTENANCE

Every 250 hours of use check vacuum motors for carbon brush wear. Replace brushes if worn to a length of 0.38 inch (10mm) or less (Figure 45).



FIG. 45

## ACCESSING INTERNAL COMPONENTS

The machine is designed to hinge open to access internal components. Follow steps below to open machine.

**ATTENTION: Machine repairs must be performed by authorized personnel only.**

**FOR SAFETY: When servicing machine, unplug cord from wall outlet.**

1. Empty recovery and solution tanks before opening machine.
2. Unplug power cord from wall outlet.
3. Unlatch two latches at front of machine and carefully hinge machine open (Figure 46).



FIG. 46

4. When closing machine, make sure hoses are not pinched or kinked.



**STORING MACHINE**

- 1. Before storing machine, perform the recommended maintenance procedures (See MACHINE MAINTENANCE).
- 2. Store machine in a dry area in the upright position.
- 3. Open recovery tank cover to promote air circulation.

**ATTENTION: Do not expose to rain. Store indoors.**

**ATTENTION: DO NOT ALLOW MACHINE TO FREEZE WITH WATER IN PUMP SYSTEM.**

**STORING MACHINE IN FREEZING TEMPERATURES**

- 1. Drain and rinse tanks thoroughly.
- 2. Pour 1 L (32 oz.) of undiluted standard antifreeze into solution tank.
- 3. Spraying into a bucket, operate spray gun for 30 seconds at low pressure.
- 4. Allow antifreeze to remain in system.

**RECOMMENDED STOCK ITEMS**

Refer to Parts List section for recommended stock items. Stock Items are clearly identified with a bullet preceding the parts description. See example below:

Ref.	Part No.	Description	Qty.
1	101183	ASM, STANDPIPE	1
2	108513	•FLOAT, SHUTOFF	1
3	228187	NOZZLE	1
4	101714	•GASKET	1
5	218248	NUT, FLANGED	1

# OPERATION

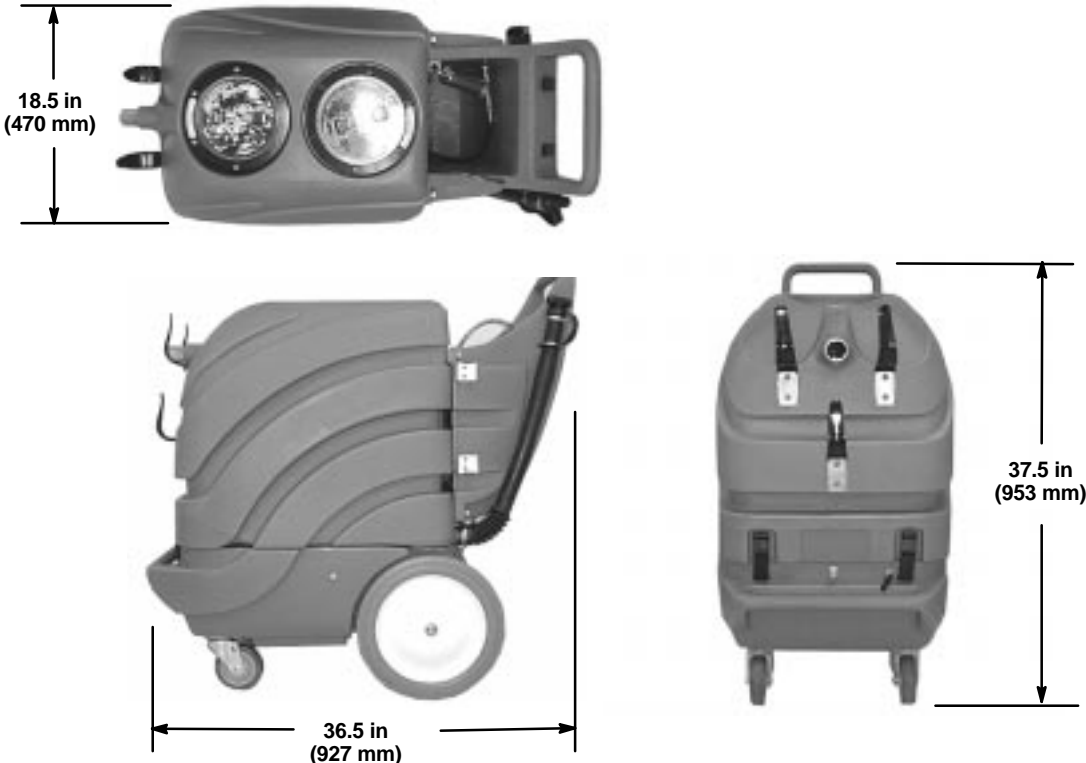
## TROUBLE SHOOTING

PROBLEM	CAUSE	SOLUTION
Machine does not operate.	Tripped GFCI device.	Reset GFCI device.
	Faulty GFCI device.	Contact Service Center.
	Faulty power cord.	Contact Service Center.
	Building circuit breaker tripped.	Reset breaker.
Spray gun does not operate.	Air in pump system.	Operate spray gun at low pressure to prime pump.
	Empty solution tank.	Fill solution tank.
	Pump switch not activated.	Activate pump switch.
	Kink in solution hose	Unwind hose.
	Plugged spray gun nozzle.	Clean Nozzle.
	PLugged solution tank filter	Unplug filter.
	Loose solution hose connection.	Properly connect solution hose to coupler.
	Kinked or plugged internal pump hose.	Unkink or unplug pump hose.
	Faulty pump.	Contact Service Center.
	Faulty pump switch or wiring.	Contact Service Center.
	Faulty spray gun.	Replace spray gun.
No vacuum.	Vacuum/blower switch is pressed towards blower symbol.	Press switch towards vacuum symbol.
	Faulty vacuum/blower switch or wiring.	Contact Service Center.
	Defective vacuum motor.	Contact Service Center.
	Worn carbon brushes.	Contact Service Center.
Poor vacuum.	Clogged float shut-off screen.	Remove recovery tank lid and clean lint off screen.
	Full recovery tank.	Empty recovery tank.
	Loose recovery tank lid.	Tighten recovery tank lid.
	Loose vacuum hose connections.	Secure connections.
	Defective vacuum hose.	Replace hose.
	Loose vacuum hose cuffs.	Secure cuffs to hose.
	Defective squeegee tool.	Replace squeegee blades.
Formula Cleaner not injecting.	Spray gun set to high pressure.	Set gun to low pressure.
	Plugged metering tip.	Remove metering tip and clean.
	Plugged injection tube.	Unplug injection tube.
	Empty Formula container.	Replace with new container.
	Formula ON/OFF lever turned off.	Turn Formula ON/OFF lever to ON.
	Injector tube not submerged in Formula container.	Submerge injector tube to bottom of Formula container.
	Plugged formula Injector.	Remove and clean injector. When replacing injector, point arrow towards spray gun.
No air-flow from blower hose.	Loose blower hose connection.	Secure hose connection.
	Defective blower motor.	Contact Service Center.
	Worn carbon brushes in blower motor.	Contact Service Center.

SPECIFICATIONS

<b>Model</b>	<b>Quick Clean™ 1500</b>
LENGTH	36.5 in (927 mm)
WIDTH	18.5 in (470 mm)
HEIGHT	37.5 in (953 mm)
WEIGHT	126 lbs (57 Kg) / 142 lbs (64 Kg) with accessories
SOLUTION TANK CAPACITY	15 gal (57 L)
RECOVERY TANK CAPACITY	18 gal (72 L)
SOLUTION PUMP	120V, rated 500 psi, 4.5 A
PUMP FLOW RATES (MAX)	High Pressure: 1 gal (3.8 L) per min. Low Pressure: 1.5 gal (5.7 L) per min.
SPRAY GUN PRESSURE	Low Pressure: 45 psi High Pressure: 300 psi/400 psi dead head
INJECTOR SYSTEM	Vacuum Feed
METERING TIP RATES	Orange Tip= 2 oz. per gallon (15ml./L) Red Tip= 4 oz. per gallon (30ml./L) Blue Tip= 6 oz. per gallon (44ml./L)
VACUUM MOTOR (BLOWER)	1-120V, 8.6 A, 1000 W, 2 stage
VACUUM MOTORS (RECOVERY)	1-120V, 10 A, 1200 W, 3 stage
SEALED WATER LIFT	117.4 in (3 m)
TOTAL POWER CONSUMPTION	120 V, 14.25 A
POWER CORD	25 ft. (7.6 M) 14/3 W/G
GFCI DEVICE	120V AC 50/60 Hz, 15A, Class A

MACHINE DIMENSIONS



# OPERACIÓN

---

Este manual se proporciona con cada nuevo modelo. Proporciona instrucciones necesarias de mantenimiento y lista ilustrada de piezas.

**Antes de operar o prestar servicio a la máquina, lea completamente este manual y entienda la máquina.**

Para ordenar piezas use las Listas Ilustradas de las Piezas. Asegúrese de tener listo el número de modelo y de serie de la máquina, antes de ordenar piezas o suministros. Las piezas y suministros pueden ordenarse por teléfono o por correo de cualquier centro autorizado de piezas y servicio, distribuidor o de cualquiera de las subsidiarias del fabricante.

Esta máquina proporcionará un servicio excelente. Sin embargo, los mejores resultados se obtienen a un costo mínimo si:

- La máquina se opera con un cuidado razonable.
- La máquina se mantiene con regularidad, según las instrucciones de mantenimiento provistas.
- La máquina se mantiene con las piezas provistas por el fabricante o equivalentes.

---

## DATOS DE LA MAQUINA

---

Por favor complete al momento de la instalación para referencia futura.

No. de Modelo \_\_\_\_\_

Fecha de Instalación \_\_\_\_\_

No. de Serie \_\_\_\_\_

Copyright© 2000 Tennant Company

Nobles es una marca registrada en Estados Unidos de la Compañía Tennant.

Quick Clean es una marca registrada en Estados Unidos de la Compañía Tennant.

## INDICE

<b>PRECAUCIONES DE SEGURIDAD</b> .....	22	<b>ALMACENAJE DE LA MAQUINA</b> .....	38
INSTRUCCIONES DE CONEXION A TIERRA ..	23	ALMACENAJE DE LA MAQUINA BAJO	
<b>ROTULOS DE SEGURIDAD</b> .....	23	TEMPERATURAS DE CONGELACION .....	38
<b>COMPONENTES DE LA MAQUINA</b> .....	24	<b>ARTICULOS RECOMENDADOS PARA</b>	
<b>EXTRACCION DE LA MAQUINA</b>		<b>MANTENER EN EXISTENCIA</b> .....	38
<b>DEL EMPAQUE</b> .....	25	<b>LOCALIZACION DE FALLAS</b> .....	39
CONTENIDO DE LA CAJA .....	25	<b>ESPECIFICACIONES</b> .....	41
<b>PREPARACION DE LA MAQUINA PARA LA</b>		<b>LISTA DE PIEZAS</b> .....	42
<b>APLICACION DE LIMPIEZA</b> .....	25	GRUPO DEL BASTIDOR SUPERIOR .....	42
INSTALACION DEL RECIPIENTE DEL AGENTE		GRUPO DEL BASTIDOR INFERIOR .....	44
LIMPIADOR LIQUIDO (FORMULA 710) .....	25	GRUPO DEL MANGO .....	46
LLENADO DEL TANQUE DE SOLUCION .....	26	GRUPO DE PLOMERIA .....	48
CONEXION DEL CORDON DE ENERGIA		GRUPO DE LA BOMBA DE SOLUCION .....	50
ELECTRICA AL ENCHUFE DE PARED .....	27	CEPILLO TELESCOPICO .....	51
<b>APLICACION DE LIMPIEZA</b> .....	27	MANGUERAS DE ASPIRACION Y SOPLADO ..	51
A: PREPARACION DEL AREA .....	28	JUEGO DE ACCESORIOS DE HERRAMIENTAS	
B: APLICACION DEL AGENTE LIMPIADOR .....	28	DE LA VARILLA/MANGUERA .....	51
(FORMULA 710) .....	28	ADITAMENTOS DE LA MANGUERA .....	51
C: AREA DE ENJUAGUE .....	29	REVOLVER ROCIADOR CON MANGUERA .....	52
D: SECADO POR SOPLADO Y OPERACION DE		ESCURRIDOR DE VIDRIO .....	52
ESCURRIMIENTO .....	30	FORMULA .....	52
<b>TANQUES DE DRENAJE</b> .....	32	MANGUERA DE LLENADO DEL TANQUE DE	
DRENAJE DEL TANQUE DE RECUPERACION	32	SOLUCION .....	52
DRENAJE ELEVADO .....	32	<b>DIAGRAMAS ELECTRICOS</b> .....	53
VACIADO DEL TANQUE DE SOLUCION .....	33	<b>OPCIONES</b> .....	54
<b>OTROS USOS DE LIMPIEZA</b>		MANGUERAS DE 15 PIES (4.6 M) DE	
<b>CON LA MAQUINA</b> .....	33	ASPIRACION Y SOPLADO .....	54
LIMPIADOR CON MANGUERA SOPLADORA ..	33	MANGUERA DE 15 PIES (4.6 M) DE	
LIMPIEZA DE ALFOMBRAS (OPCION) .....	33	REVOLVER ROCIADOR .....	54
<b>MANTENIMIENTO DE LA MAQUINA</b> .....	35	13 PIES (330MM) EL ACCESORIO PARA	
MEDIDOR DE TIEMPO .....	35	LIMPIAR ALFOMBRAS .....	55
MANTENIMIENTO DIARIO .....	35		
MANTENIMIENTO MENSUAL .....	36		
MANTENIMIENTO TRIMESTRAL .....	37		
ACCESO A LOS COMPONENTES INTERNOS ..	37		

## PRECAUCIONES DE SEGURIDAD

---

Esta máquina está diseñada para uso comercial. Está diseñada para limpiar superficies resistentes al agua en ambientes interiores y no está construida para ningún otro uso. No use la máquina para aspiración en seco. Use sólo, soluciones limpiadoras y herramientas accesorias, recomendadas.

Todos los operadores deben leer, entender y practicar las precauciones siguientes de seguridad.

Se usan en este manual los signos de alerta de seguridad siguientes, según indicado en su descripción:

**⚠ ADVERTENCIA:** Para advertir acerca de riesgos o prácticas inseguras que pueden resultar en lesiones personales graves o la muerte.

**PARA SU SEGURIDAD:** Identifican acciones que deben observarse para una operación segura del equipo.

La información siguiente señala condiciones potencialmente peligrosas para el operador o equipo:

### PARA SU SEGURIDAD:

1. No opere la máquina:
  - A menos que esté capacitado y autorizado
  - A menos que haya leído y entendido el manual del operador.
  - A menos que use antiparras de seguridad.
  - En áreas inflamables o explosivas.
  - Con el cordón o enchufe dañados.
  - Si no está en un estado operativo apropiado.
  - En áreas exteriores.
  - En agua estancada.
  - Con el uso de un cordón de extensión.
2. Antes de operar la máquina
  - Asegúrese que todos los mecanismos de seguridad estén en su lugar y operando apropiadamente.
  - Coloque carteles de “PISO MOJADO” según requerido
3. Al usar la máquina:
  - No pase la máquina sobre el cordón.
  - No tire de la máquina por el enchufe o el cordón.
  - No tire del cordón alrededor de bordes o esquinas aguzados.
  - No desenchufe tirando del cordón.
  - No estire el cordón.
  - No toque el enchufe con las manos mojadas.

- Observe las instrucciones de mezcla y manejo en los recipientes químicos y en las hojas de datos de seguridad del material.
- Nunca apunte el revólver rociador al rostro de una persona.
- Mantenga el cordón alejado de superficies calientes.
- No rocíe la solución entre enchufes eléctricos, conmutadores, o cajas de fusibles.
- Informe inmediatamente acerca de daños a la máquina o una operación defectuosa.
- Para evitar resbalar use botas de tracción de suela de goma.

4. Antes de salir o prestar servicio a la máquina:
  - Apague la máquina.
  - Desenchufe el cordón del enchufe de pared.
5. Al prestar servicio a la máquina:
  - Desenchufe el cordón del enchufe de pared.
  - Evite las piezas móviles. No use chaquetas, camisas o mangas, holgadas.
  - Use piezas de repuesto provistas o aprobadas por el fabricante.

**⚠ ADVERTENCIA:** Voltaje riesgoso. Puede resultar en choque eléctrico o electrocución. Antes de prestar servicio, siempre desenchufe la máquina.

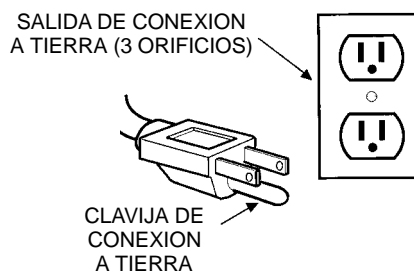
**⚠ ADVERTENCIA:** Los materiales inflamables pueden causar una explosión o incendio. No use materiales inflamables en el tanque(s).

**⚠ ADVERTENCIA:** Los materiales inflamables o los metales reactivos pueden causar una explosión o incendio. No aspire los mismos.

**⚠ ADVERTENCIA :** El interruptor del circuito de falla de conexión a tierra no protege contra el choque eléctrico debido al contacto con los conductores del circuito o una falla en el cableado de alimentación de este dispositivo. No use un cordón de extensión entre el GFCI y la salida de energía eléctrica.

## INSTRUCCIONES DE CONEXION A TIERRA

La máquina debe estar conectada a tierra. Si no funciona bien o se descompone, la conexión a tierra proporciona un recorrido de menor resistencia para la corriente eléctrica, para reducir el riesgo de choque eléctrico. Esta máquina está provista con un cordón que tiene un conductor de conexión a tierra del equipo y un enchufe de conexión a tierra. El enchufe debe enchufarse dentro de un enchufe apropiado que esté instalado apropiadamente de acuerdo con todos los códigos y ordenanzas locales. No extraiga la clavija de conexión a tierra; si falta, reemplazar el enchufe antes de usar.



## ROTULOS DE SEGURIDAD

Los rótulos de seguridad aparecen en la máquina en las ubicaciones indicadas. Si los rótulos se dañan o son ilegibles, reemplácelos.



### ROTULO DE MATERIALES INFLAMABLES/DERRAMES

– Ubicado cerca del orificio de llenado del tanque de solución y sobre la tapa del tanque de recuperación.

**ADVERTENCIA:** Los materiales inflamables pueden causar una explosión o incendio. No use materiales inflamables en el tanque(s). Los materiales inflamables o metales reactivos pueden causar una explosión o incendio. No los aspire.



### ROTULO PARA SU SEGURIDAD

– Ubicado en la tapa del tanque de recuperación.

**PARA SU SEGURIDAD:** No opere la máquina a menos que use antiparras de seguridad.



### ROTULO PARA SU SEGURIDAD

– Ubicado en el panel del tablero.

**PARA SU SEGURIDAD:** No opere la máquina a menos que haya leído y entendido el manual del operador.

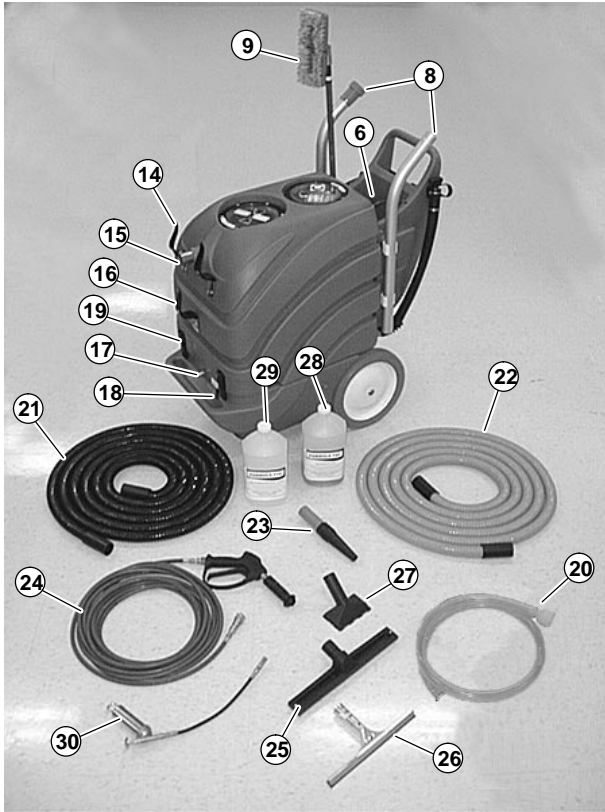


### ROTULO DE ADVERTENCIA

– Ubicado en el armazón de la manija. El rótulo advierte al operador acerca de prácticas seguras con el equipo  
– Texto en inglés

# OPERACIÓN

## COMPONENTES DE LA MAQUINA



1. Conmutador de apagado/encendido, de aspiración/soplado
2. Conmutador de apagado/encendido de la bomba
3. Medidor de tiempo
4. Conector de la manguera del soplador
5. Cordón de potencia equipado con un dispositivo interruptor de falla del circuito de conexión a tierra
6. Herramientas de accesorios/Compartimiento de fórmula limpiadora
7. Manguera del inyector de la fórmula
8. Varilla de doble curva de dos piezas
9. Cepillo para piso
10. Tanque de recuperación
11. Manguera de drenaje del tanque de recuperación
12. Tanque de solución
13. Ruedas de 12 pul. (305mm) para subir escaleras
14. Ganchos de almacenaje de la manguera de aspiración
15. Conector de la manguera de aspiración
16. Gancho de almacenaje del revólver rociador
17. Acople de la manguera de solución
18. Palanca de conexión/desconexión de la fórmula limpiadora
19. Trabas de acceso a los componentes internos
20. Manguera de llenado del tanque de solución
21. Manguera de aspiración de 25 pies (7.6 M) (Negra)
22. Manguera sopladora de 25 pies (7.6 M) (Gris)
23. Boquilla de la manguera sopladora
24. Manguera del revólver rociador y de la solución
25. Aditamento de herramienta escurridora de piso de 14 pul. (356mm)
26. Herramienta escurridora manual
27. Aditamento de manguera de aspiración de la herramienta engullidora
28. Limpiador de fórmula 710 (muestra)
29. Líquido de enjuague de Fórmula 720 (muestra)
30. Revólver engrasador para la bomba



## EXTRACCION DE LA MAQUINA DEL EMPAQUE

Inspeccione cuidadosamente la caja por señales de daños. Informe inmediatamente al transportista si hubiera daños.

Inspeccione cuidadosamente el contenido para asegurar que el empaque está completo. Consulte con el distribuidor por artículos faltantes.

### Contenido de la caja:

- Máquina
- Manguera negra de aspiración
- Manguera gris sopladora
- Varilla de doble curva de dos piezas
- Aditamento de herramienta escurridora (14 pul.)
- Herramienta manual de escurrimiento de vidrio
- Herramienta engullidora
- Boquilla sopladora
- Manguera de llenado
- Revólver rociador, boquilla rociadora y manguera de solución
- Aditamento de cepillo de piso
- Varilla telescópica para el cepillo de piso
- Un galón de limpiador ácido de Fórmula 710
- Un galón de enjuague para superficies múltiples de Fórmula 720
- 3 puntas medidoras (embolsadas separadamente)
- Tapa del tubo inyector (Instalada en el tubo azul)
- Revólver engrasador para la bomba

## PREPARACION DE LA MAQUINA PARA LA APLICACION DE LIMPIEZA

### INSTALACION DEL RECIPIENTE DEL AGENTE LIMPIADOR LIQUIDO (FORMULA 710)

Cada máquina nueva está equipada con una muestra de un galón (3.8 L) del limpiador ácido de superficies múltiples de Fórmula 710. Está diseñada para usar en esta máquina y específicamente formulada para limpiar escoria de jabón, escamas de agua dura, y suciedad que típicamente se encuentran en baños, áreas de piscinas, etc. Use sólo en superficies resistentes al agua. Consulte con su proveedor, para ordenar más Fórmula 710.

**ATENCION:** El uso de materiales químicos no aprobados o inadecuados puede causar daños a la máquina y a las superficies y puede cancelar su garantía.

**PARA SU SEGURIDAD:** Al usar la máquina, observe las instrucciones de mezcla, manejo y descarte incluidas en las instrucciones del recipiente químico y en las hojas MSDS.

1. Extraiga la tapa del tubo inyector azul. No pierda la tapa (Fig.1) Use la tapa para prevenir la obstrucción del tubo inyector cuando la máquina no se usa.



FIG. 1

2. Seleccione la punta medidora deseada (Las puntas se proporcionan con la máquina) y enrosque la punta dentro del tubo inyector azul en la máquina (Figura 2). Las velocidades de surtido mostradas son para la Fórmula 710. Químicos sustitutos pueden tener velocidades de surtido diferentes. Una punta anaranjada está instalada de fábrica.

Punta anaranjada = 2 oz. por galón (15ml./L) para limpieza liviana

Punta roja = 4 oz. por galón (30ml./L) para limpieza mediana

Punta azul = 6 oz. por galón (44ml./L) para limpieza profunda.



FIG. 2

# OPERACIÓN

3. Coloque el recipiente del agente limpiador dentro del compartimiento de herramientas de aditamentos/fórmula de limpieza. Extraiga la tapa del recipiente e inserte la tapa del tubo inyector azul. Empuje el tubo azul al fondo del recipiente (Figura 3).



FIG. 3

**ATENCIÓN: No agregue químicos limpiadores (Fórmula 710) al tanque de solución.**

## LLENADO DEL TANQUE DE SOLUCION

Cada máquina nueva está equipada con una muestra de un galón (3.8L) de enjuague múltiple de superficie de Fórmula 720: La fórmula de enjuague debe agregarse al tanque de solución antes de la operación. La Fórmula 720 está diseñada para usarse para enjuagar las superficies después de limpiar para reducir manchas de agua y acelerar el secado. Consulte con su proveedor para ordenar más Fórmula 720.

**ATENCIÓN: El uso de materiales químicos no aprobados o inadecuados puede causar daños a la máquina y a las superficies y puede cancelar su garantía.**

**PARA SU SEGURIDAD: Al usar la máquina, observe las instrucciones de mezcla, manejo y descarte incluidas en las instrucciones del recipiente químico y en las hojas MSDS.**

1. Extraiga la tapa delantera del tanque de solución de la máquina. Agregue al tanque el enjuague de Fórmula 720 o un sustituto aprobado según las instrucciones de dilución de la botella (Figura 4).



FIG. 4

2. Conecte la manguera de llenado (provista con la máquina) al grifo de agua y llene el tanque con 15 galones (56L) de agua limpia (Figura 5). Si usa agua caliente no exceda 140°F (60°C).

**⚠ ADVERTENCIA: Materiales inflamables pueden causar una explosión o incendio. No use materiales inflamables en el tanque(s).**



FIG. 5

3. Después de llenar vuelva a colocar la tapa del tanque de solución.

## CONEXION DEL CORDON DE ENERGIA ELECTRICA AL ENCHUFE DE PARED

1. Conectar el cordón de potencia a un enchufe de pared conectado a tierra (Figura 6). Use un enchufe de pared fuera del área a limpiar.

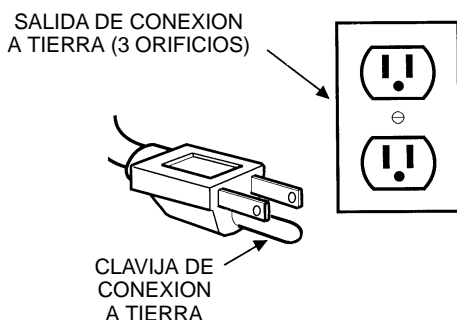


FIG. 6

**PARA SU SEGURIDAD: No opere la máquina con el uso de un cordón de extensión.**

2. El cordón de energía eléctrica está equipado con un interruptor de circuito de falla de conexión a tierra (Figura 7). El GFCI protege al usuario contra el choque eléctrico.

Pruebe el dispositivo GFCI antes de usar.

- a. Verificar que el indicador esté en rojo.
- b. Oprimir el botón de prueba, el indicador rojo debe desaparecer.
- c. Oprimir el botón de regraduación. Si la prueba falla, no use la máquina. Llame a un representante autorizado de servicio por asistencia.



FIG. 7

**⚠ ADVERTENCIA: El interruptor del circuito de falla de conexión a tierra no protege contra el choque eléctrico debido al contacto con los conductores del circuito o una falla en el cableado de alimentación de este dispositivo. No use un cordón de extensión entre el GFCI y el enchufe de energía eléctrica.**

## APLICACION DE LIMPIEZA

**PARA SU SEGURIDAD: No opere la máquina a menos que haya leído y entendido el manual del operador.**

**ATENCION: La máquina está diseñada para limpiar superficies resistentes al agua solamente; tales como concreto, lozas cerámicas, lozas de cantera, vidrio, piletas, urinales, toiettes, tabiques divisorios de baños, duchas, caños, espejos y otras áreas sujetas al jabón, depósitos minerales y suciedad diaria.**

La aplicación de limpieza no se recomienda para tabiques de madera enyesados y pintados/tabiques de cartón enyesados.

Consulte con su distribuidor local para agentes limpiadores recomendados para limpiar cocinas, recintos de escaleras, ventanas, etc.

**ATENCION: Los pisos deben sellarse para prevenir la filtración de agua. Inspeccione todas las líneas de lechada de cemento, costuras, esquinas, etc. por grietas. Reparar según requerido. No somos responsables por daños causados por el agua.**

Se requiere usar antiparras de seguridad, guantes y ropas protectoras (no provistas) al limpiar. Las antiparras de seguridad deben estar diseñadas para proteger a los ojos contra salpicaduras (Figura 8).

**PARA SU SEGURIDAD: No opere la máquina, a menos que use antiparras de seguridad.**



FIG. 8

# OPERACIÓN

## A: PREPARACION DEL AREA

1. Barra todos los desechos del área.
2. Extraiga los recipientes de desechos del cuarto.
3. Extraiga los productos expuestos de papel del cuarto.
4. Limpie el polvo de los artefactos suspendidos y ventiladeros. La máquina está diseñada para limpiar polvo (Vea OTROS USOS DE LIMPIEZA CON LA MAQUINA).
5. Lave todos los artefactos en los baños y mantenga abiertas las tapas de los toillettes.
6. Proteja todos enchufes eléctricos, conmutadores, cajas de fusibles y dispositivos conectores con protectores a prueba de agua.
7. Cubra todo artículo expuesto que no desea que se moje.
8. Coloque la máquina en la puerta de entrada para bloquear el acceso al área.
9. Mantenga la puerta abierta con el tope, para prevenir daños a la manguera. No cierre las puertas contra las mangueras.

**PARA SU SEGURIDAD: Coloque carteles de "PISO MOJADO" según requerido.**

## B: APLICACION DEL AGENTE LIMPIADOR (FORMULA 710)

1. Si el área no está equipada con un drenaje de piso, conectar la manguera negra de recuperación al frente de la máquina, fije la herramienta engullidora y coloque la herramienta donde el agua puede formar charcos al operar (Figura 9).



FIG. 9

2. Conectar el revolver rociador al manguera de solución, entonces conectar la manguera al acople ubicado al frente de la máquina (Figura 10).



FIG. 10

3. Girar la palanca de FORMULA ON/OFF a la posición ON, ubicada al frente de la máquina (Figura 11).



FIG. 11

**Nota:** Para operar el revólver rociador a BAJA PRESION sin usar el limpiador de fórmula gire la palanca de ON/OFF a la posición OFF.

4. Ajuste el revólver a baja presión empujando hacia afuera la boquilla rociadora. Gire la boquilla rociadora en sentido contrario a las agujas del reloj para el patrón de rociado del ventilador (Figura 12).



FIG. 12

5. Si usa la herramienta engullidora, active el conmutador de la bomba. Oprima el conmutador de aspiración/soplador hacia el símbolo de aspiración (Figura 13).



FIG. 13

- Comenzando en el punto más alejado del cuarto, comience a rociar todo el área desde el fondo al tope, trabajando hacia la máquina. El agente limpiador (Fórmula 710) puede tardar hasta 5 segundos antes que comience a inyectar. Después de rociar todo el área, apague la máquina y permita que el limpiador trabaje por 5–10 minutos (Figura 14).



FIG. 14

**NOTA:** La bomba puede tardar entre 5 a 10 segundos para cebarse. La boquilla debe graduarse a baja presión para cebar la bomba.

**PARA SU SEGURIDAD:** Al usar la máquina, no rocíe la solución sobre enchufes eléctricos, cajas de fusibles o artefactos eléctricos.

**NOTA:** Después de aplicar el limpiador, gire la palanca de FORMULA ON/OFF a la posición OFF y enjuague el revólver de la solución limpiadora.

- Use la herramienta de cepillo para frotar esquinas, bases de molduras y áreas muy sucias, mientras está actuando la solución limpiadora (Figura 15).



FIG. 15

## C: AREA DE ENJUAGUE

**PARA SU SEGURIDAD:** No opere la máquina a menos que use antiparras de seguridad.

**NOTA:** Use la herramienta engullidora si el área no está equipada con un drenaje de piso.

- Ajuste el revólver rociador a alta presión empujando la boquilla rociadora hacia adentro (Figura 16).



FIG. 16

- Active el conmutador de la bomba. Oprima el conmutador de aspiración/soplador hacia el símbolo de aspiración, si se usa la máquina engullidora (Figura 17).

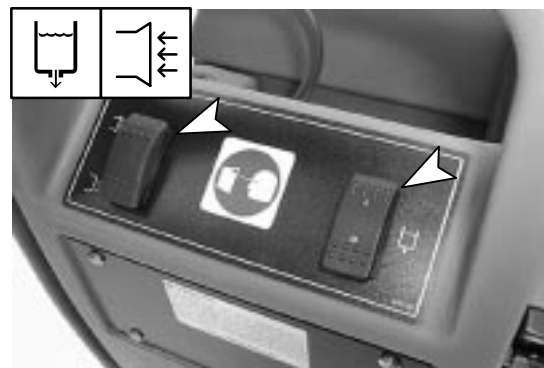


FIG. 17

# OPERACIÓN

3. Comience a enjuagar todo el área desde el tope al fondo. Gire la boquilla rociadora en el sentido de las agujas del reloj para delinear líneas de lechada de cemento y áreas muy sucias y difíciles de llegar (Figura 18).

**NOTA:** El operar el revólver a alta presión detendrá automáticamente la inyección del agente limpiador.



FIG. 18

**PARA SU SEGURIDAD:** Al usar la máquina, no rocía la solución entre enchufes eléctricos, cajas de fusibles, o aparatos eléctricos.

**PARA SU SEGURIDAD:** Al usar la máquina, nunca apunte el revólver rociador hacia el rostro de la persona.

4. Para operar el revólver rociador a baja presión sin surtir el agente limpiador gire la palanca de FORMULA ON/OFF a la posición de OFF (Figura 19).



FIG. 19

5. Usted debe operar el revólver rociador a baja presión para volver a cebar la bomba, en caso que el tanque de solución se vacíe durante la operación. NO OPERE LA BOMBA EN SECO.
6. Apague la máquina, después de enjuagar bien todo el área. Limpie por frotación la manguera de solución y coloque el revólver en el gancho de almacenaje.

**ATENCIÓN:** Antes de desconectar la manguera, elimine la presión de agua del revólver rociador.

## D: SECADO POR SOPLADO Y OPERACION DE ESCURRIMIENTO

**Nota:** El uso del enjuague de Fórmula 720 ayuda a reducir la necesidad y el tiempo requerido para secar por soplado las superficies.

1. Usando la herramienta para escurrir vidrio (provista con la máquina), escurra los espejos y aplicable (Figura 20).



FIG. 20

2. Extraiga la manguera gris de soplado del mango de la máquina y conecte la manguera a la parte posterior de la máquina, fije la boquilla sopladora a la manguera (Figura 21).

**ATENCIÓN:** Al secar por soplado no use la manguera negra de recuperación. Los contaminantes son soplados en el aire.



FIG. 21

- Para activar el soplador oprima el conmutador de aspiración/soplador hacia el símbolo del soplador.



FIG. 22

- Comience a secar las superficies por soplado desde el fondo al tope, impulsando la solución de enjuague al piso. Cuando termine, apague el soplador, limpie la manguera por frotamiento y vuelva a colocar en la máquina (Figura 23).



FIG. 23

- Ensamble la varilla de doble curva, fije la herramienta para escurrir y conecte la varilla a la manguera negra de recuperación. Conecte la manguera negra de recuperación al frente de la máquina (Figura 24).



FIG. 24

- Oprima el conmutador de aspiración/soplador hacia el símbolo de operación (Figura 25).



FIG. 25

- Comience en la puerta de entrada y cubra todo el área con la herramienta escurridora. El operador debe estar siempre parado sobre una superficie seca al operar la varilla de piso (Figura 26).



FIG. 26

**⚠ ADVERTENCIA: Materiales inflamables o metales reactivos pueden causar una explosión o incendio. No los aspire.**

- Al limpiar, inspeccione periódicamente por espuma excesiva en el tanque de recuperación. En caso que aparezca una espuma excesiva, vierta una solución recomendada de control dentro del tanque de recuperación. Esto previene daños al motor de aspiración (Figura 27).



FIG. 27

**ATENCIÓN: Una acumulación excesiva de espuma no activa el tamiz flotante de apagado.**

# OPERACIÓN

9. El tanque de recuperación debe drenarse (Ver TANQUES DE DRENAJE) si la herramienta escurridora comienza a expeler agua.
10. Apague la máquina y limpie por frotado las mangueras del soplador y aspirador. Almacene las mangueras en la máquina.
11. Empuje la máquina al sitio de drenaje y vacíe el tanque de recuperación.

**NOTA:** Es mejor vaciar el tanque de recuperación antes de proceder al área próxima a limpiar, después de limpiar un área.



FIG. 28

## TANQUES DE DRENAJE

El tanque de recuperación debe drenarse y limpiarse, al terminar la limpieza. Si queda solución, puede permanecer en el tanque de solución para el próximo uso. Al almacenar la máquina por períodos prolongados o al transportar la máquina, drene el tanque de solución.

**PARA SU SEGURIDAD: Desenchufe el cordón del enchufe de pared, al prestar servicio a la máquina.**

## DRENAJE DEL TANQUE DE RECUPERACION

Previamente a llenar el tanque de solución, debe vaciarse el tanque de recuperación.

1. Apague la máquina, desenchufe el cordón de potencia y empuje la máquina al sitio de drenaje.
2. Extraiga la manguera de drenaje del sujetador. Gire la perilla de la manguera de drenaje en sentido contrario a las agujas del reloj tres vueltas aproximadamente y tire del tapón, para drenar. Mantenga la manguera sobre el nivel del agua al extraer el tapón (Figura 28).

3. Después de cada uso drene el tanque de recuperación, para prevenir olores fuertes. Tenga cuidado en no rociar agua sobre tamiz flotante de apagado.
4. Vuelva a colocar firmemente el tapón de la manguera de drenaje.

## DRENAJE ELEVADO

Si el sitio de drenaje excede 13 pulgadas (33 cm) de altura, use el procedimiento conveniente de bombeo.

1. Fije la manguera gris de soplado al conector de la manguera del soplador y al conector de la manguera aspiradora (Figura 29).



FIG. 29

**ATENCIÓN:** Antes de activar el soplador, asegúrese que la tapa del tanque de recuperación está firme.

2. Extraiga la perilla de la manguera de drenaje, dirija la manguera al sitio elevado de drenaje y active el soplador (Figura 30).





FIG. 30



FIG. 32

## VACIADO DEL TANQUE DE SOLUCION

1. Conecte la manguera negra de recuperación al frente de la máquina y extraiga la tapa del tanque de solución.
2. Oprima el conmutador de aspiración/soplador hacia el símbolo de aspiración.
3. Extraiga la solución de enjuague restante del tanque de solución y limpie el tanque con agua limpia (Figura 31).



FIG. 31

4. Apague la máquina, desenchufe el cordón de potencia y drene el tanque de recuperación.

## OTROS USOS DE LIMPIEZA DE LA MAQUINA

### LIMPIADOR CON MANGUERA SOPLADORA

Usar la manguera gris sopladora para soplar desechos desde áreas difíciles de llegar y para extraer polvo y telas de araña de los artefactos suspendidos y ventiladeros (Figura 32).

**ATENCIÓN: No use la máquina para aspiración en seco.**

## LIMPIEZA DE ALFOMBRAS (OPCION)

La maquina puede usarse para limpiar alfombras con el uso del accesorio opcional para limpiar alfombras (Ver OPCIONES).

1. Conectar la manguera de llenado (provista con la máquina) al grifo de agua y llenar el tanque con 15 galones (57L) de agua caliente a una temperatura máxima de 140°F (60°C).

**NO AGREGUE AGENTES LIMPIADORES AL TANQUE DE SOLUCION**, ciertos agentes limpiadores pueden dañar la bomba. Para aplicar la mezcla del agente limpiador a la alfombra, use un rociador de bombeo.

**⚠️ ADVERTENCIA: Los materiales inflamables pueden causar una explosión o incendio. No use materiales inflamables en el tanque(s)**

2. Usar la manguera de aspiración y la manguera de solución y conectarlas al accesorio para limpiar alfombras, luego conectarlos al frente de la maquina (Figura 33).



FIG. 33

# OPERACIÓN

3. Gire la palanca de FORMULA ON/OFF a la posición de OFF, ubicada al frente de la máquina (Figura 34).



FIG. 34

4. Activar el conmutador de la bomba y oprima el conmutador de aspiración/soplador hacia el símbolo de aspiración (Figura 35).



FIG. 35

5. Operar la herramienta de accesorio de la manera normal (Figura 36).

**⚠ ADVERTENCIA: Materiales inflamables o metales reactivos pueden causar una explosión o incendio. No los aspire.**



FIG. 36

6. Elimine la presión de agua de la herramienta antes de desconectar, después de limpiar. Oprima el gatillo por cinco segundos después de apagar los conmutadores.
7. Efectúe los procedimientos recomendados de mantenimiento (Ver MANTENIMIENTO DE LA MAQUINA).

## MANTENIMIENTO DE LA MAQUINA

Siga los procedimientos diarios, mensuales y trimestrales de mantenimiento, para mantener la máquina en buenas condiciones de trabajo.

**PARA SU SEGURIDAD: Desenchufe el cordón del enchufe de la pared, al prestar servicio a la máquina.**

**ATENCIÓN: Las reparaciones de la máquina deben efectuarse por personal autorizado solamente.**

### MEDIDOR DE TIEMPO

Cada máquina está equipada con un medidor de tiempo para registrar el total de horas registradas de uso de la bomba. Use el medidor para determinar cuando efectuar los procedimientos recomendados de mantenimiento y registrar el historial de servicio (Figura 37).



FIG. 37

### MANTENIMIENTO DIARIO

1. Limpie la punta medidora y lave el tubo inyector azul según se describe abajo:
  - a. Llene el tanque de solución con 3 galones (11L) de agua limpia.
  - b. Extraiga la punta medidora del tubo inyector y limpie la punta. No use objetos puntiagudos tales como clavijas y broches de papel para destapar las puntas (Figura 38).



FIG. 38

- c. Sumerja el extremo del tubo inyector a una recipiente de un galón de agua limpia (Figura 39).



FIG. 39

- d. Ajuste el revólver rociador a baja presión empujando la boquilla sopladora hacia afuera.
  - e. Gire la palanca de FORMULA ON/OFF a la posición ON, ubicada al frente de la máquina.
  - f. Encienda el conmutador de la bomba y opere el revólver rociador durante un minuto aproximadamente.
  - g. Coloque la tapa en la manguera del inyector después de lavar.
2. Drene y enjuague bien el tanque de recuperación (Figura 40).



FIG. 40

# OPERACIÓN

3. Extraiga el tamiz flotante de corte de la cubierta del tanque de recuperación y limpie (Figura 41).



FIG. 41

4. Vacíe el agua restante del tanque de solución si se almacena la máquina por un período largo o si se transporta la máquina (Vea Drenaje de los Tanques).
5. Limpie por frotado todos los accesorios y vuelva a colocarlos en la máquina. Inspeccione las mangueras de aspiración por orificios y manguitos flojos.
6. Inspeccione la condición de las cuchillas escurridoras y reemplace si fuera necesario.
7. Limpie por frotado el cordón de energía eléctrica e inspeccione por daños. Reemplace si fuera necesario. Enrolle prolijamente el cordón después de usar.
8. Limpie la máquina con un limpiador universal y un trapo húmedo (Figura 42).



FIG. 42

9. Inspeccione el patrón del revólver rociador. Limpie o reemplace el orificio si el patrón de rociado no es preciso. Use una llave Allen de 5/64" para extraer el orificio (Figura 43).

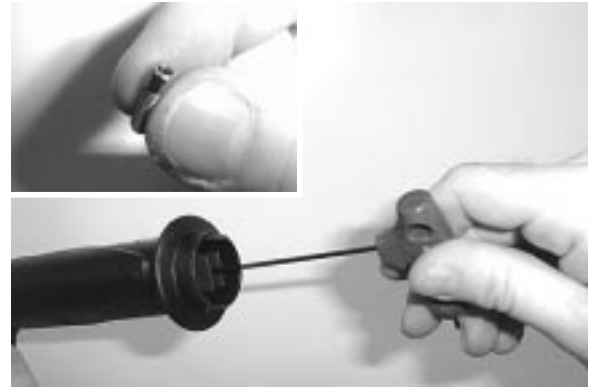


FIG. 43

## MANTENIMIENTO MENSUAL

1. Lave el sistema de la solución con solución de ácido acético para disolver la acumulación química alcalina normal.
  - a. Premezcle .5L (16 oz) de una solución de ácido acético con 7.5L (2 gal.) de agua caliente a 60°C (140°F) máximo y vierta en el tanque de solución.

### PARA SU SEGURIDAD: Al usar la máquina, observe las instrucciones de mezcla y manejo en los recipientes químicos.

- b. Apague el conmutador de la bomba.
  - c. Opere el revólver rociador por un minuto sobre un drenaje de piso.
  - d. Apague la máquina y permita que la solución restante disuelva la acumulación alcalina durante la noche.
  - e. El día siguiente, rocíe la solución restante y lave el sistema con 11L (3 gal.) de agua limpia.
2. Lubrique las ruedas y ruedas metálicas con un aceite resistente al agua.
  3. Inspeccione la máquina por pérdidas de agua y ferretería floja.
  4. La máquina debe engrasarse cada 40 horas de uso. Refiérase al medidor de tiempo. Cada máquina nueva está equipada con un revólver engrasador (No. 190022).
    - a. Abra la máquina para llegar a la bomba (Vea ACCESO A LOS COMPONENTES INTERNOS).
    - b. Extraiga la cubierta de seguridad de la bomba sujetando las aletas y tirando hacia afuera.
    - c. Inserte la boquilla del revólver engrasador dentro del adaptador de engrase de la bomba (Figura 44).
    - d. Empuje lenta y completamente el émbolo una o dos veces. No engrase en exceso ya que pueden dañarse los sellos.

**ATENCIÓN:** No use revólveres engrasadores mecánicos ni a palanca manual ya que puede dañarse la bomba.

- e. Aplique una buena cantidad de grasa al diámetro exterior del rodamiento de la leva al tope y fondo donde el rodamiento toca la varilla conectora.
- f. Inspeccione periódicamente la bomba y extraiga el exceso de grasa de la cavidad de la bomba.



FIG. 44

## MANTENIMIENTO TRIMESTRAL

Cada 250 horas de uso inspeccione el motor de aspiración, por desgaste de las escobillas de carbón. Reemplace las escobillas si se han gastado a un largo de 10mm (0.38 pul.) o menos (Figura 45).



FIG. 45

## ACCESO A LOS COMPONENTES INTERNOS

La máquina está diseñada para abrirse sobre bisagras para llegar a los componentes internos. Para abrir la máquina siga los pasos de abajo.

**ATENCIÓN:** Las reparaciones de la máquina deben efectuarse por personal autorizado solamente.

**PARA SU SEGURIDAD:** Desenchufe el cordón del enchufe de pared, al prestar servicio a la máquina.

1. Antes de abrir la máquina vacíe los tanques de recuperación y solución.
2. Desenchufe el cordón de energía eléctrica del enchufe de pared.
3. Abra dos trabas al frente de la máquina y abra cuidadosamente la máquina sobre las bisagras (Figura 46).



FIG. 46

4. Al cerrar la máquina, asegúrese que las mangueras no estén aprisionadas o dobladas.

# OPERACIÓN

---

---

## ALMACENAJE DE LA MAQUINA

---

1. Antes de almacenar la máquina, efectúe los procedimientos recomendados de mantenimiento (vea MANTENIMIENTO DE LA MAQUINA).
2. Almacene la máquina en un área seca en posición vertical.
3. Abra la cubierta del tanque de recuperación para promover la circulación de aire.

**ATENCIÓN: No exponga a la lluvia. Almacene bajo techo.**

**ATENCIÓN: NO PERMITA QUE LA MAQUINA SE CONGELE CON AGUA EN EL SISTEMA DE BOMBEO.**

---

## ALMACENAJE DE LA MAQUINA BAJO TEMPERATURAS DE CONGELACION

1. Drenar y enjuagar bien los tanques.
2. Verte 1L (32 oz.) de anticongelante estándar no diluido en el tanque de solución.
3. Rociando dentro de un balde, opere el revólver rociador por 30 segundos a baja presión.
4. Permita que el anticongelante permanezca en el sistema.

---

## ARTICULOS RECOMENDADOS PARA MANTENER EN EXISTENCIA

---

Refiérase a la sección de Lista de Piezas para los artículos recomendados en existencia. Los artículos en existencia están claramente identificados con una bola precediendo a la descripción de las piezas. Vea el ejemplo de abajo:

Ref.	Part No.	Description	Qty.
1	201183	ASM, STANDPIPE	1
2	108513	● FLOAF, SHUTOFF	1
3	228187	● NPPL	1
4	101714	● GASKET	1
5	218248	NUT, FLANGED	1

**LOCALIZACION DE FALLAS**

<b>PROBLEMA</b>	<b>CAUSA</b>	<b>SOLUCION</b>
La máquina no funciona.	Dispositivo GFCI activado	Dispositivo GFCI regradoado
	Dispositivo GFCI defectivo	Consulte con el Centro de Servicio
	Cordón eléctrico defectuoso	Consulte con el Centro de Servicio
	Activado el interruptor de circuitos del edificio	Regradúe el interruptor
El revólver rociador no funciona.	Air in pump system.	Opere el revólver rociador a baja presión para cebar la bomba
	Vacíe el tanque de solución	Llene el tanque de solución.
	No está activado el conmutador de la bomba.	Active el conmutador de la bomba.
	Doblez en la manguera de solución.	Enderece la manguera.
	Boquilla del revólver rociador taponado.	Destape la boquilla.
	Filtro del tanque de solución taponado	Limpiar el filtro
	Conexión floja de la manguera de conexión.	Conecte adecuadamente la manguera de solución al acoplador.
	Manguera de la bomba interna doblada o taponada.	Enderece o destape la manguera
	Bomba defectuosa.	Consulte con el Centro de Servicio.
	Conmutador o cableado defectuoso de la bomba.	Consulte con el Centro de Servicio.
	Revólver rociador defectuoso.	Reemplace el revólver rociador.
No aspira.	El conmutador de aspiración/soplador está desplazado hacia el símbolo del soplador.	Oprimir el conmutador hacia el símbolo de aspiración.
	Conmutador o cableado defectuoso de aspiración/soplador.	Consulte con el Centro de Servicio.
	Motor de aspiración defectuoso.	Consulte con el Centro de Servicio.
	Escobillas de carbón gastadas.	Consulte con el Centro de Servicio.
Mala aspiración.	Tamiz flotante de corte taponado	Extraiga la tapa del tanque de recuperación y limpie la pelusa del tamiz.
	Tanque de recuperación lleno.	Tanque de recuperación vacío.
	Tapa del tanque de recuperación floja.	Ajuste la tapa del tanque de recuperación.
	Conexiones flojas de la manguera aspiradora.	Ajuste las conexiones.
	Manguera aspiradora defectuosa.	Reemplace la manguera.
	Manguitos de la manguera de aspiración flojos.	Asegure los manguitos a la manguera.
	Herramienta escurridora defectuosa.	Reemplace las herramientas escurridoras.

# OPERACIÓN

---

## LOCALIZACION DE FALLAS—cont'd

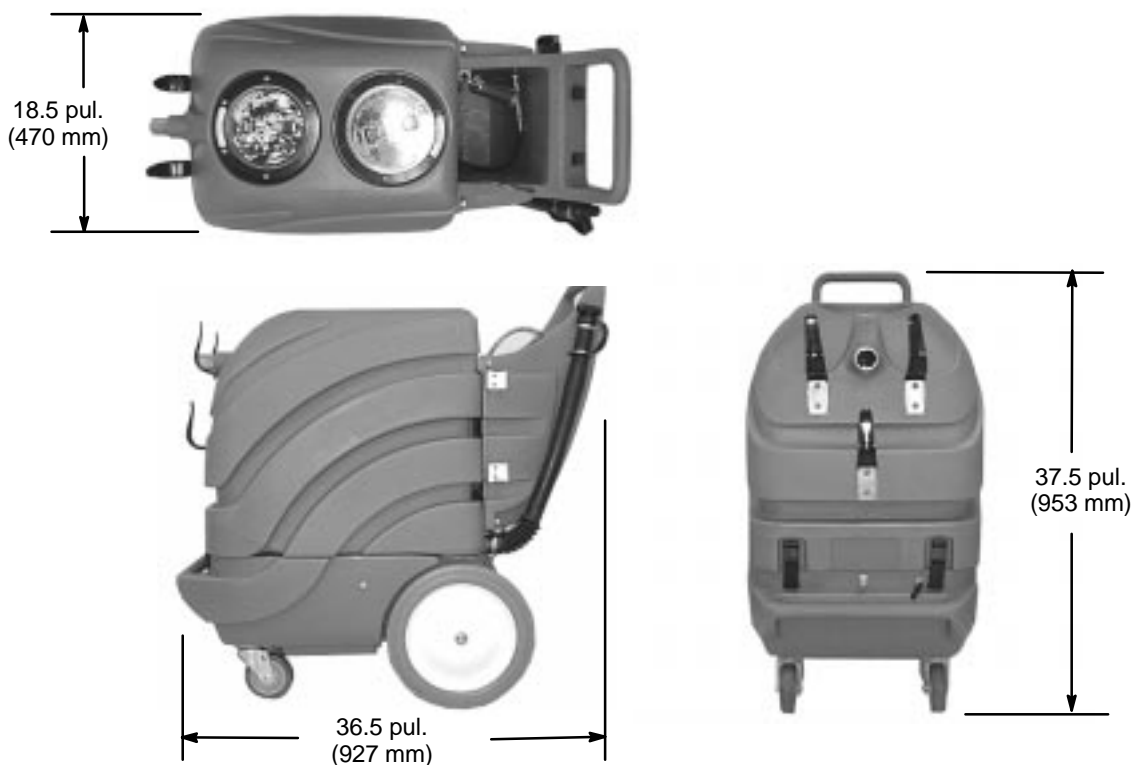
PROBLEMA	CAUSA	SOLUCION
El limpiador de la Fórmula no está inyectando.	El revólver rociador está graduado a alta presión.	Gradúe el revólver a baja presión.
	Punta medidora taponada.	Extraiga la punta medidora y limpie.
	Tubo de inyección taponado.	Destape el tubo de inyección.
	Recipiente vacío de la Fórmula.	Reemplace con un nuevo recipiente.
	Palanca de Formula ON/OFF en OFF.	Mueva la palanca de ON/OFF a ON.
	El tubo inyector no está sumergido en el recipiente de la Fórmula.	Sumerja el tubo inyector hasta el fondo del recipiente de la Fórmula.
	Inyector de Fórmula taponado.	Extraiga y limpie el eyector. Al reemplazar el inyector, apunte la flecha hacia el revólver rociador.
No circula aire desde la manguera sopladora.	Conexión floja de la manguera sopladora.	Ajuste la conexión de la manguera.
	Motor defectuoso del soplador.	Consulte con el Centro de Servicio.
	Escobillas de carbón gastadas en el motor del soplador.	Consulte con el Centro de Servicio.



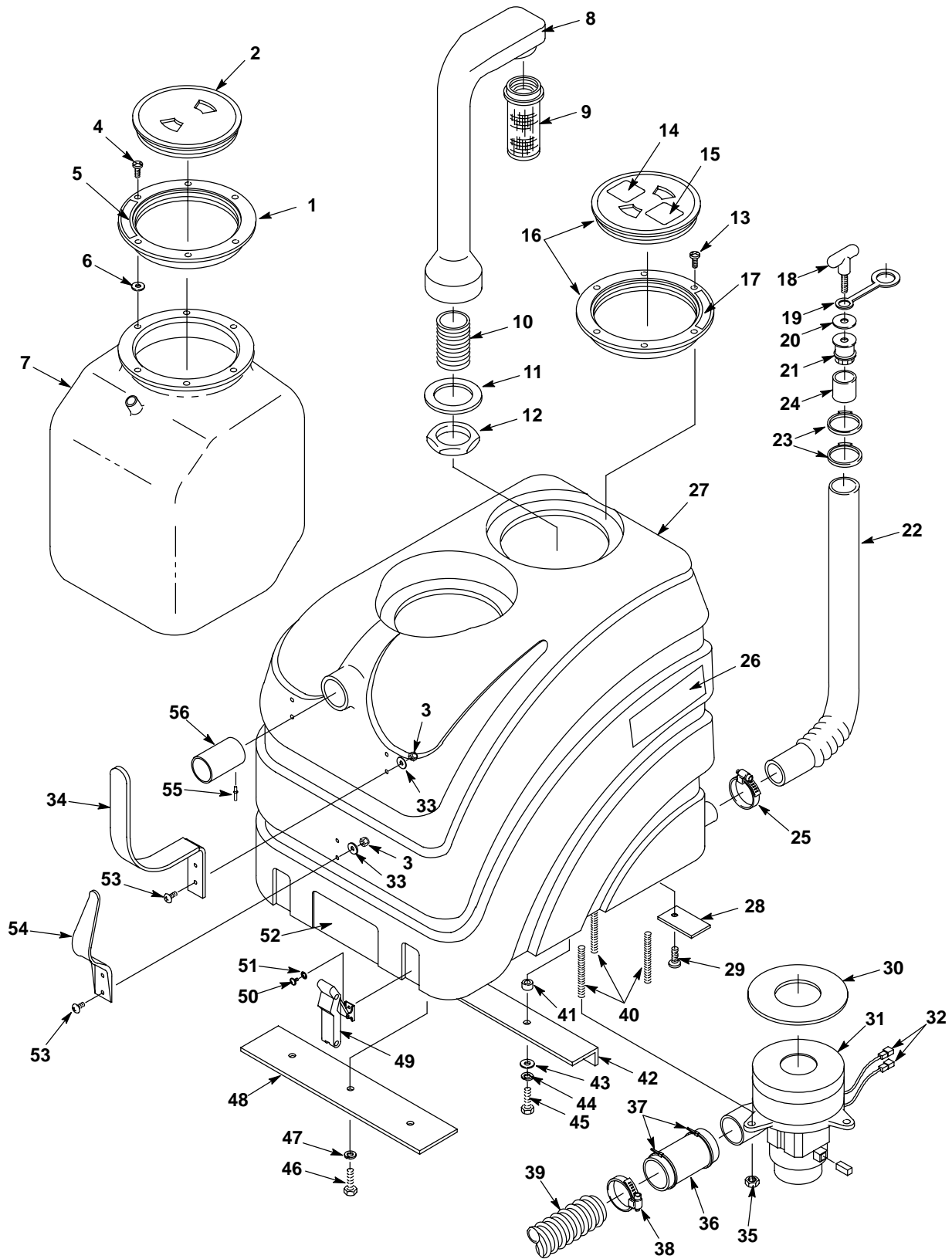
**ESPECIFICACIONES**

<b>Modelo</b>	<b>Quick Clean™ 1500</b>
LARGO	36.5 pul. (927mm)
ANCHO	18.5 pul. (470 mm)
ALTO	37.5 pul. (953 mm)
PESO	126 lbs (57 Kg) / 142 lbs. (64 Kg) con accesorios
CAPACIDAD DEL TANQUE DE SOLUCION	15 gal (57 L)
CAPACIDAD DEL TANQUE DE RECUPERACION	18 gal (72 L)
BOMBA DE SOLUCION	120V, clasificación nominal: 500 psi, 4.5 A
VELOCIDADES DE CIRCULACION DE LA BOMBA (MAX.)	Alta presión: 1 gal. (3.8L) por min. Baja presión: 1.5 gal (5.7 L) por min.
PRESION DEL REVOLVER ROCIADOR	Baja presión: 45 psi Alta presión: 300 psi/400 psi cabezal inactivo
SISTEMA INYECTOR	Alimentado por aspiración
CIRCULACIONES DE LAS PUNTAS MEDIDORAS	Punta anaranjada = 2 oz. por galón (15ml./L) Punta roja = 4 oz. por galón (30ml./L) Punta azul = 6 oz. por galón (44ml./L)
MOTORES DE ASPIRACION	1–120V, 8.6 A, 1000 VATIOS, 2 etapas
MOTORES DE ASPIRACION RECUPERACION	1–120V, 10 A, 1200 VATIOS, 3 etapas
ELEVADOR SELLADO DE AGUA	117.4 pul. (3M)
CONSUMO TOTAL DE ENERGIA	120 V, 14.25 A
CORDON ELECTRICO	25 pies (7.6 m) 14/3 W/G
DISPOSITIVO GFCI	120V CA 50/60 Hz, 15A, Clase A

**DIMENSIONES DE LA MAQUINA**



UPPER HOUSING GROUP – GRUPO DEL BASTIDOR SUPERIOR



### UPPER HOUSING GROUP – GRUPO DEL BASTIDOR SUPERIOR

REF	PART #	DESCRIPTION	QTY.
▽	100103	CLEAR LID, W/CNTRSUNK HOLES	1
▲1	100109	LID, OUTER RING	1
▲2	100105	●LID, CENTER ONLY CLEAR	1
3	140501	NUT, 1/4–20 NYLOCK	6
4	140900	SCREW, 10–24X3/4	6
5	120907	DECAL, "IMPORTANT..."	1
6	140000	WASHER, 1/4 FLAT	6
7	602783	BLADDER	1
8	602448	STANDPIPE, W/NIPPLE	1
9	180613	●FLOAT, SHUT-OFF	1
10	606088	FITTING, 1–1/2" NIPPLE	1
11	101714	GASKET, WASTE AIR CHAMBER	1
12	210240	NUT, FLANGED METAL 1–1/2	1
13	140825	SCREW, #6X1/2	6
14	609756	DECAL, SAFETY GLASSES REQD	1
15	630420	DECAL, "FLAMMABLE MAT'L" TXTLS	1
16	100102	●LID, CLEAR W/STANDARD HOLE	1
17	120907	DECAL, "IMPORTANT–ALWAYS..."	1
▽▲	501061	●ASM, DRAINHOSE STOPPER	1
▲18	230831	KNOB, DRAIN HOSE	1
▲19	230882	STRAP, DRAIN STOPPER	1
▲20	140056	WASHER, 3/8IDX1.500D FNDR	1
▲21	140955	PLUG, DRAIN HOSE	1
▽	590965	KIT, DRAIN HOSE COMPLETE	1
▲22	560627	HOSE, DRAIN	1
▲23	140072	CLAMP, 1 9/16 STEPLESS	2
▲24	140921	SLEEVE, DRAIN HOSE	1
25	140307	CLAMP, HOSE 3/4 TO 1–3/4	1
26	609750	DECAL, QUICK CLEAN 1500	2
27	609733	TANK, RECOVERY GREEN	1
28	230845	PLATE, CORD CLAMP	1

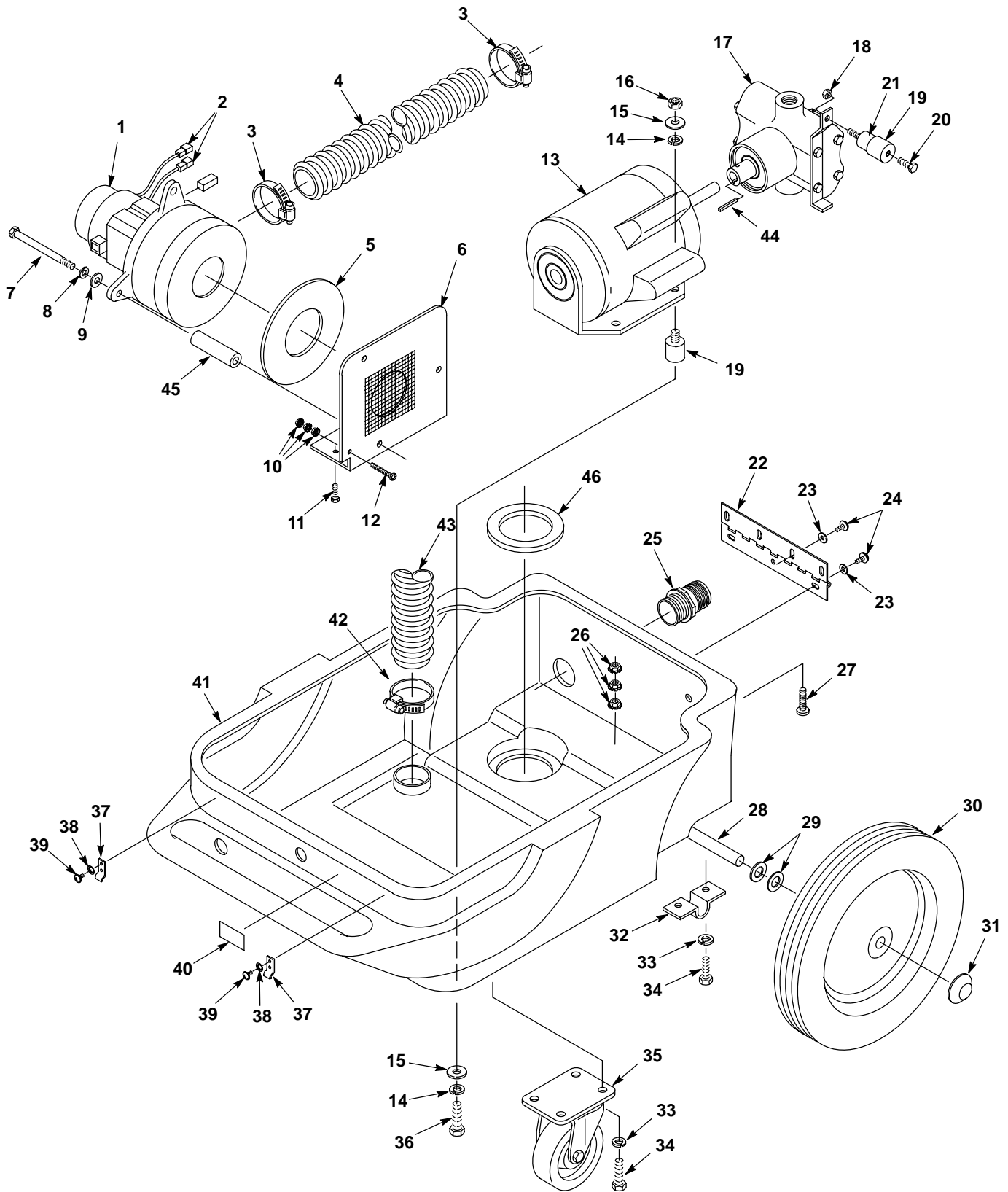
REF	PART #	DESCRIPTION	QTY.
29	140834	SCREW, 1/4–20X5/8	1
30	100118	●GASKET, VAC MOTOR 1/4 X 5.7	1
31	130416	●MOTOR, VAC 5.7 3STG (120V)	1
	190161	●BRUSH, CARBON (2–PK)	2
32	130133	TERMINAL, ML DSCNT	2
33	25183.4	WASHER, .18X.68 NEOPRENE	6
34	610279	HOOK, HOSE HANGER	2
35	140501	NUT, 1/4–20 NYLOCK	3
36	610162	●MUFFLER, VAC EXHAUST	1
37	130040	WIRE TIE, NYLON	2
38	140308	CLAMP, HOSE 1–5/16 TO 2–1/4	1
39	160629	HOSE, 2" X 28" WHITE	1
40	610790	SCREW, 1/4–20X4.5 STUD	3
41	140134	BUSHING, .375ODX.250IDX.270	2
42	230846	BRACKET, TANK SUPPORT	1
43	140000	WASHER, 1/4 FLAT	2
44	140016	WASHER, 1/4 LOCK	2
45	140554	SCREW, 1/4–20X3/4	2
46	140259	SCREW, 1/4–20X5/8	3
47	140016	WASHER, 1/4 LOCK	3
48	230946	BRACKET, TANK BRACE FRONT	1
49	140932	●LATCH, HOOD W/ KEEPER	2
50	140801	SCREW, 8–32X3/8	4
51	140023	WASHER, #8 INT	4
52	608186	DECAL, "NOBLES" LOGO	1
53	140840	SCREW, 1/4–20X1	6
54	602750	HOOK, HOSE	1
55	140713	RIVET, POP 3/16 X .251–.375	1
56	230905	TUBE, INLET	1

▽ ASSEMBLY / CONJUNTO

▲ INCLUDED IN ASSEMBLY / INCLUIDO EN EL CONJUNTO

● RECOMMENDED STOCK ITEMS / ARTICULOS RECOMENDADOS PARA MANTENER EN EXISTENCIA

LOWER HOUSING GROUP – GRUPO DEL BASTIDOR INFERIOR



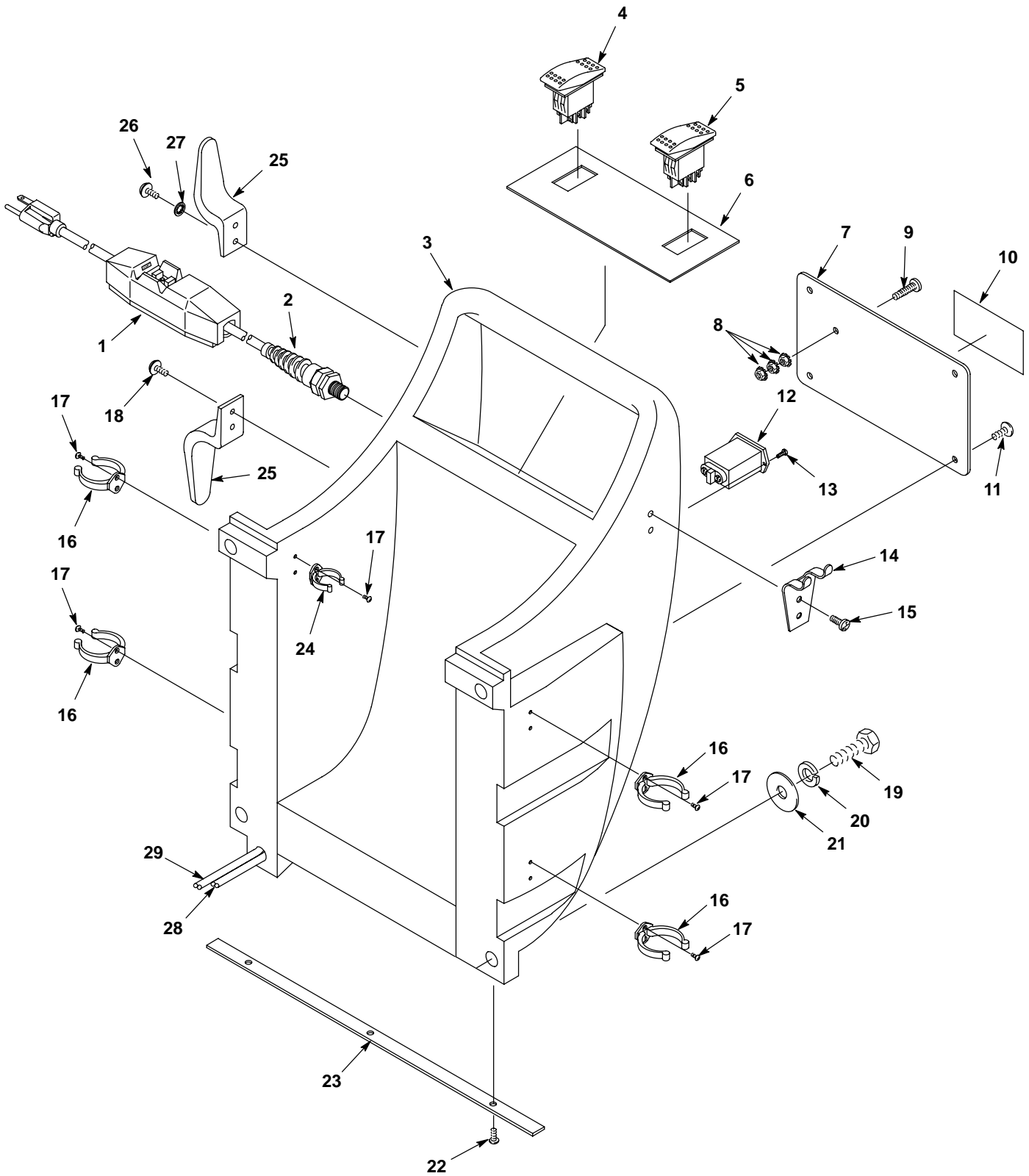
**LOWER HOUSING GROUP – GRUPO DEL BASTIDOR INFERIOR**

REF	PART #	DESCRIPTION	QTY.
1	25151	●MOTOR, VAC 5.7 2STG (120V)	1
	190155	●BRUSH, CARBON (2-PK)	2
2	130133	TERMINAL, ML DSCNT	2
3	140308	CLAMP, HOSE 1-5/16 TO 2-1/4	2
4	609643	●HOSE, VAC 2"IDX14" WHITE	1
5	100038	●GASKET, VAC MTR 5.7 DIA	1
6	609652	BRACKET, VAC MOTOR MOUNT	1
7	2998.28	SCREW 1/4-20X3-1/2	3
8	140016	WASHER, LOCK	3
9	140000	WASHER, FLAT	3
10	140519	NUT, 10-24 KEP	3
11	140554	SCREW 1/4-20X3/4	2
12	140804	SCREW, 10-24X1	1
13	130450	MOTOR, PUMP DRIVE 1/3HP (120V)	1
14	140015	WASHER, 5/16 SPLITLOCK	2
15	140027	WASHER, 5/16 FLAT	2
16	140506	NUT, 5/16-18 HEX	2
17	180100	PUMP, TWIN PISTON	1
18	140506	NUT 5/16-18 HEX	1
19	130031	MOUNT, MOTOR 1-1/4"	3
20	140223	SCREW 5/16-18X3/4	1
21	130030	MOUNT, MOTOR 3/4"	1
22	230390	HINGE, SOL/REC TANK	1
23	140000	WASHER, 1/4 FLAT	7
24	140885	SCREW, 1/4-20X1/2	7

REF	PART #	DESCRIPTION	QTY.
25	25202	BARB, HOSE	1
26	140519	NUT, 10-24 KEP	3
27	140196	SCREW, 10-24X1	1
28	608906	AXLE, .50 DIA X 18.352	1
29	140008	WASHER, .570X1.28X.075 FLAT	4
30	103009	●WHEEL, 12" X 1.75 WHITE/GRAY	2
31	103019	CAP, HUB 1/2" DIA	2
32	230746	BRACKET, AXLE 1/2DIA OFFSET	2
33	140016	WASHER, 1/4 LOCK	12
34	140259	SCREW, 1/4-20X5/8	12
35	103065	●CASTER, SWIVEL 4"	2
36	140223	SCREW, 5/16-18X3/4	2
37	140932	LATCH, HOOD RUBBER W/ KEEPER	2
38	140023	WASHER, #8 INT	4
39	140801	SCREW, 8-32X3/8	4
40	609752	DECAL, CHEMICAL ON/OFF	1
41	609732	CHASSIS, GREEN	1
42	140308	CLAMP, HOSE 1-5/16 TO 2-1/4	1
43	160629	●HOSE, 2" X 28" WHITE	1
44	190310	●PUMP, SHAFT KEY 5300 SERIES	1
45	610144	SPACER, VAC MOTOR	3
46	102567	GASKET, VAC MOTOR INTAKE	1

● RECOMMENDED STOCK ITEMS / ARTICULOS RECOMENDADOS PARA MANTENER EN EXISTENCIA

HANDLE GROUP – GRUPO DEL MANGO



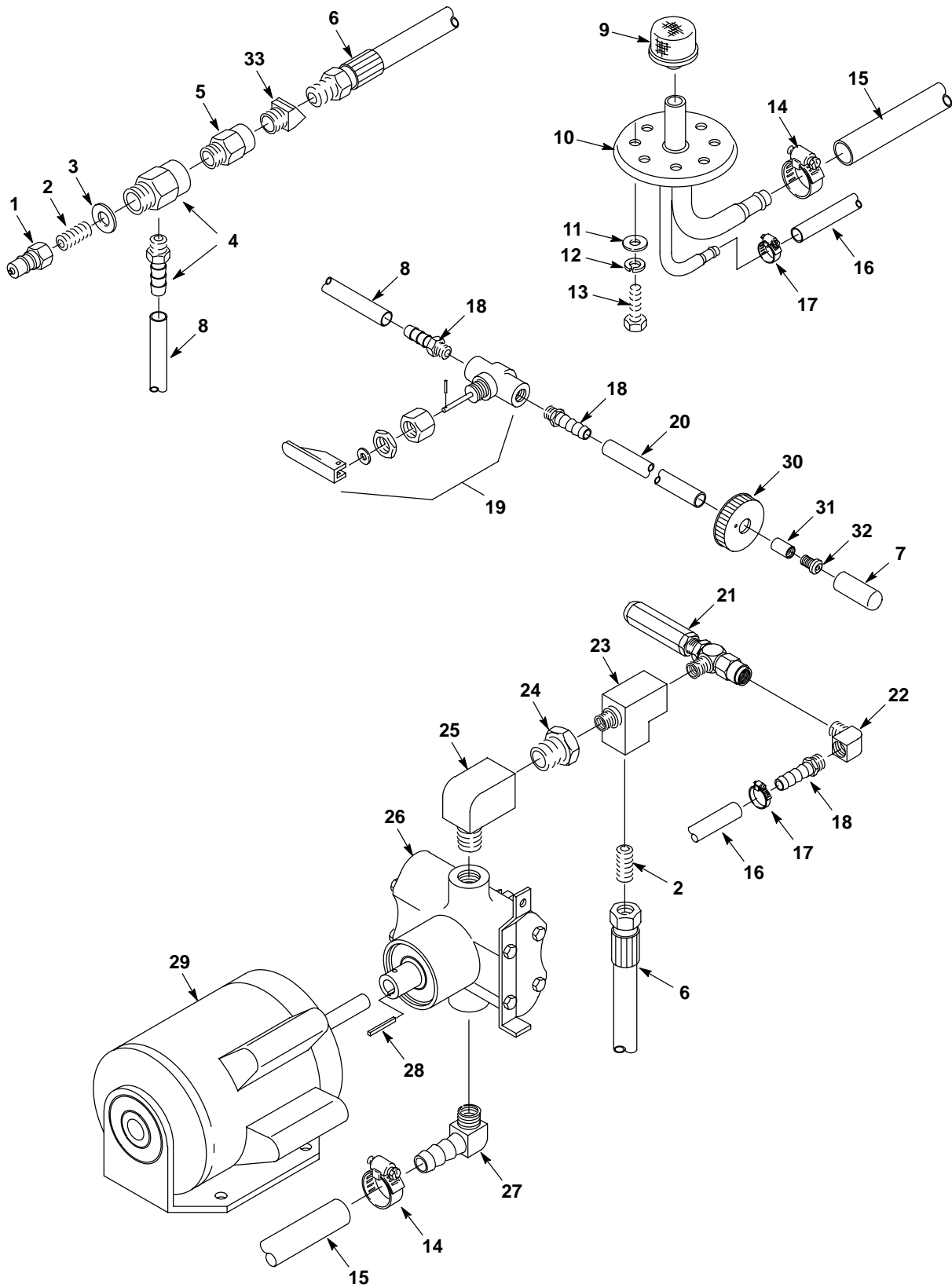
**HANDLE GROUP – GRUPO DEL MANGO**

REF	PART #	DESCRIPTION	QTY.
1	609754	●CORD, POWER 25' W/GFCI	1
2	130166	●CORD GRIP, NYLON/BLK W/NUT	1
3	609734	HANDLE, GREEN	1
4	608605	●SWITCH, ROCKER DPST SEAL	1
5	609657	●SWITCH, ROCKER ON/OFF/ON	1
6	609748	DECAL, DASH	1
7	230908.BK	PLATE, REAR COVER BLACK	1
8	140519	NUT, 10–24 KEP	3
9	140900	SCREW, 10–24X3/4	1
10	120619	DECAL, WARNING EXTRACTORS	1
11	140197	SCREW, 10–24X3/8	4
12	130017	METER, HOUR	1
13	140825	SCREW, #6X1/2	2
14	230696.BK	BRACKET, DRAIN HOSE HANGER	1
15	140825	SCREW, #6X1/2	2

REF	PART #	DESCRIPTION	QTY.
16	610733	CLIP, WAND	4
17	140825	SCREW, #6X1/2	10
18	140197	SCREW, 10–24X3/8	2
19	140231	SCREW, 3/8X1–1/2	4
20	140017	WASHER, 3/8 SPLITLOCK	4
21	140028	WASHER, 3/8 FLAT	4
22	140825	SCREW, #6X1/2	3
23	609753	PLATE, WAND STOP	1
24	610732	CLIP, TELESCOPING WAND LARGE	1
25	230920.BK	HOOK, CORD BLACK	2
26	140197	SCREW, 10–24X3/8	2
27	140031	WASHER, #10	2
28	701138	CORD ASSEMBLY, 14/4X44" BLK	1
29	701139	CORD, 14/3X63" BLACK SJTO	1

● RECOMMENDED STOCK ITEMS / ARTICULOS RECOMENDADOS PARA MANTENER EN EXISTENCIA

PLUMBING GROUP – GRUPO DE PLOMERIA





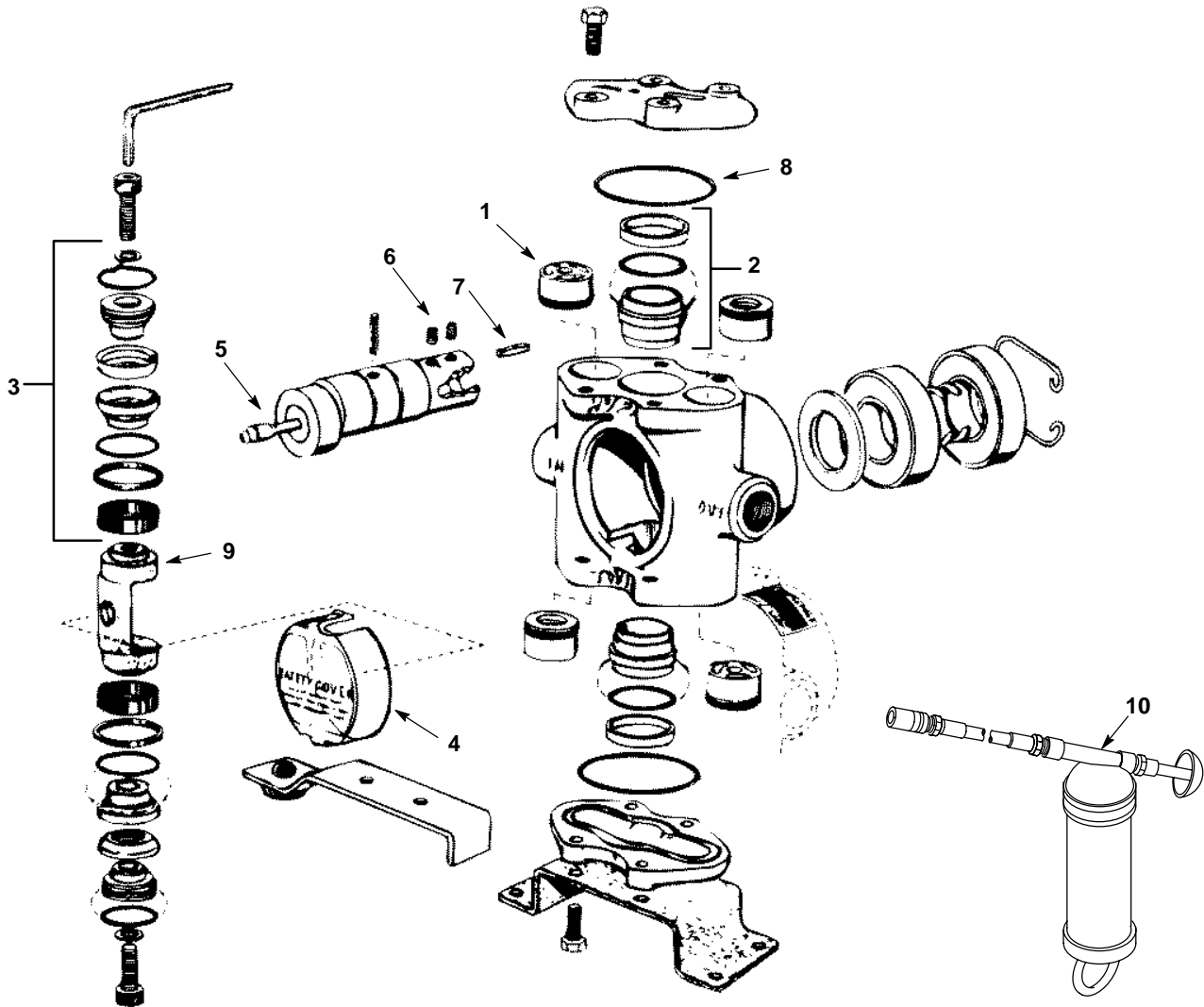
**PLUMBING GROUP – GRUPO DE PLOMERIA**

REF	PART #	DESCRIPTION	QTY.
1	150933	FITTING, 1/4F QD MALE BRS SER60	1
2	150615	FITTING, 1/4M NIPL–CLOSE BRS	2
3	140058	WASHER, .543X.875X.062 WAND	1
4	609660	INJECTOR	1
5	150110	ADAPTER, 1/4" BRASS	1
6	160140	HOSE, PULSE 36"	1
7	609988	●CAP, INJECTOR HOSE	1
8	607307	TUBING, 1/4IDX3/8ODX.833' GRAY	1
9	603186	●SCREEN, CLEAN WATER TANK	1
10	609703	ASM, BLADDER PLATE	1
11	140000	WASHER, 1/4 FLAT	4
12	140016	WASHER, 1/4 LOCK	4
13	140554	SCREW, 1/4–20X3/4 HXHDCP	4
14	140305	CLAMP, HOSE 7/32–5/8	2
15	609923	HOSE, 1/2ID X 35"	1
16	609920	HOSE, 1/4 LP X 3.33' GRAY	1
17	630369	CLAMP, HOSE .50–1.1	2

REF	PART #	DESCRIPTION	QTY.
18	150525	FITTING, 1/8MX1/4H BARB BRS	3
19	210014	VALVE, TOGGLE – WITH NUT	1
20	609922	TUBING, 1/4IDX3/8ODX6.33' BLUE	1
21	210211	VALVE, PRESSURE RELIEF	1
22	150407	FITTING, 1/8FX1/8M ELBOW STRT90	1
23	150709	FITTING, 1/4FX1/4FX1/4M BRS	1
24	150101	FITTING, 1/2MX1/4F BUSHNG BRS	1
25	150405	FITTING, 1/2MX1/2F ELB STRT90	1
26	180100	PUMP, TWIN PISTON	1
27	150431	FITTING, 1/2MX1/2H ELBOW 90	1
28	190310	●PUMP, SHAFT KEY 5300 SERIES	1
29	130450	●MOTOR, PUMP DRIVE 1/3HP(120V)	1
30	231062	●CAP, 1 GAL. BOTTLE	1
31	609976	●SPACER, 5/16DIAX1/2 8–32	1
32	609757	●KIT, METERING TIPS (SET OF 3)	1
33	150403	FITTING, 1/4MX1/4F, 45° STRT	1

● RECOMMENDED STOCK ITEMS / ARTICULOS RECOMENDADOS PARA MANTENER EN EXISTENCIA

**SOLUTION PUMP GROUP – GRUPO DE LA BOMBA DE SOLUCION**

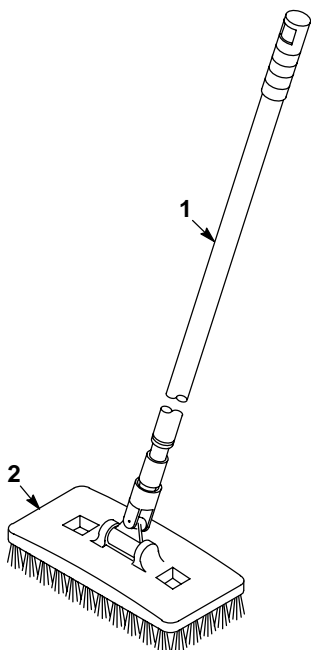


REF	PART #	DESCRIPTION	QTY.
	180100	PUMP, TWIN PISTON (COMPLETE)	1
1	190301	●VALVE KIT, SET OF 4	1
2	190302	●KIT, CYLINDER SLEEVE	1
3	190300	●CUP KIT, SET OF 2	1
4	190307	SAFETY COVER	1
5	190305	GREASE FITTING	1
6	190309	SET SCREWS, PUMP	2

REF	PART #	DESCRIPTION	QTY.
7	190310	●SHAFT KEY	1
8	190303	●KIT, O-RING (INCLUDES 2 O-RINGS)	1
9	190304	CONNECTING ROD	1
N/S	190316	●PULLER, VALVE SPRING RETAINER	1
N/S	190317	●PULLER, VALVE, POPPET SEAT	1
10	190022	GUN, GREASE METAL	1

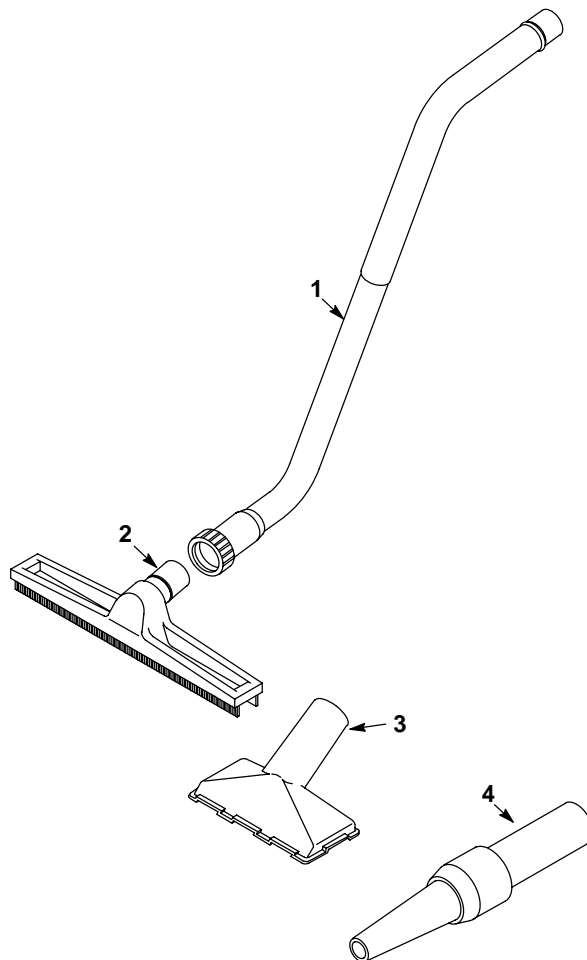
N/S= NOT SHOWN / NO INDICADO

TELESCOPING BRUSH –  
CEPILLO TELESCOPICO



REF	PART #	DESCRIPTION	QTY.
1	610731	●HANDLE, TELESCOPING LARGE	1
2	609650	●BRUSH	1

WAND/HOSE TOOL ACCESSORY KIT –  
JUEGO DE ACCESORIOS DE  
HERRAMIENTAS DE VARILLA/MANGUERA

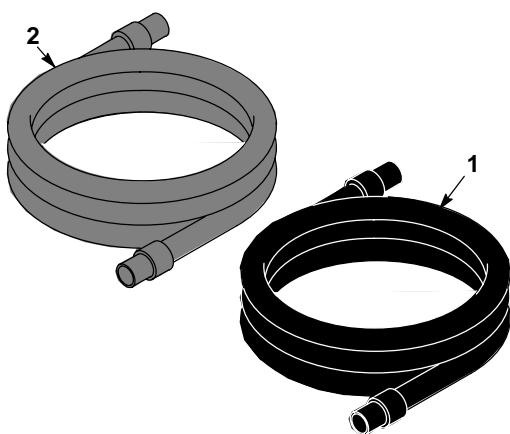


REF	PART #	DESCRIPTION	QTY.
▽	610140	KIT, WAND AND TOOLS	1
▲1	609651	●WAND, DOUBLE BEND 2 PC	1
▲2	609648	●SQUEEGEE, 14"	1
▲3	609645	●TOOL, GULPER	1
▲4	609644	●NOZZLE, BLOWER	1

▽ ASSEMBLY / CONJUNTO

▲ INCLUDED IN ASSEMBLY / INCLUIDO EN EL CONJUNTO

VACUUM AND BLOWER HOSES –  
MANGUERAS DE ASPIRACION Y SOPLADOR

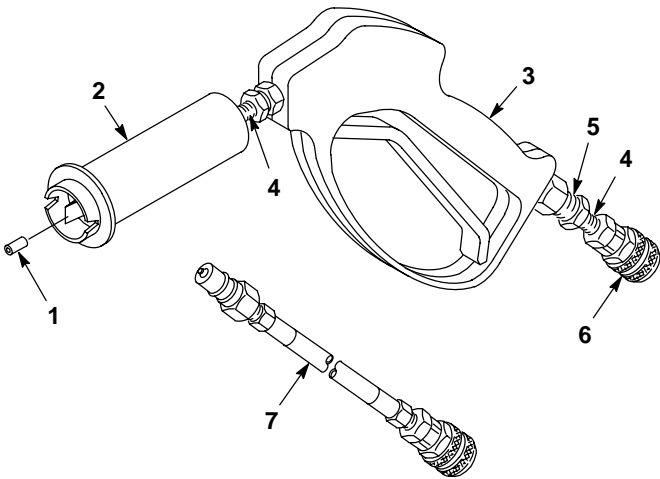


REF	PART #	DESCRIPTION	QTY.
1	610683	●HOSE, 1-1/2X25' BLACK W/CUFFS	1
2	609647	●HOSE, 1-1/4X25' GRAY W/CUFFS	1

● RECOMMENDED STOCK ITEMS / ARTICULOS RECOMENDADOS PARA MANTENER EN EXISTENCIA

**PARTS LIST**  
**LISTA DE PIEZAS**

**SPRAY GUN AND SOLUTION HOSE –**  
**REVOLVER ROCIADOR CON MANGUERA**

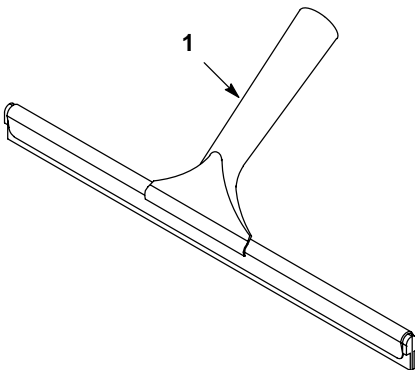


REF	PART #	DESCRIPTION	QTY.
	610845	KIT, SPRAY GUN AND HOSE W/QDC	1
▽	610791	GUN, SPRAY COMPLETE	1
▲1	610141	ORIFICE, SPRAY NOZZLE	1
▲2	609658	●NOZZLE, HI/LO	1
▲3	609661	●GUN, SPRAY	1
▲4	150615	FITTING, 1/4MX7/8 CLOSE NIPPLE	2
▲5	150006	FITTING, 1/4FX3/8M REDUCER	1
▲6	150913	FITTING, 1/4F QD FEML BRS SER60	1
7	610792	ASM, HOSE1/4X25' SER60F/60M QD	1

▽ ASSEMBLY / CONJUNTO

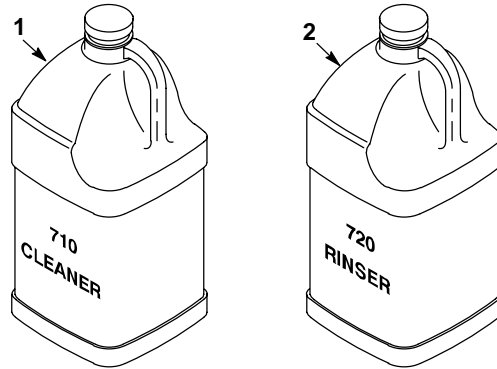
▲ INCLUDED IN ASSEMBLY / INCLUIDO EN EL CONJUNTO

**GLASS SQUEEGEE –**  
**ESCURRIDOR DE VIDRIO**



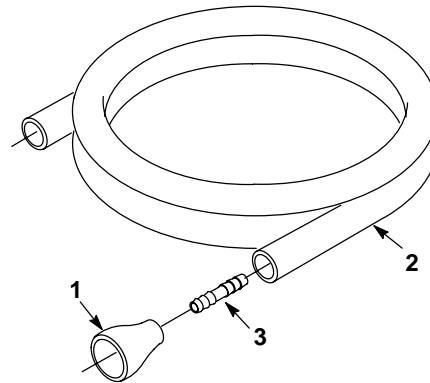
REF	PART #	DESCRIPTION	QTY.
1	609641	SQUEEGEE, GLASS	1

**FORMULA**



REF	PART #	DESCRIPTION	QTY.
1	609801	●FORMULA, 710 CLEANER (4-1 GAL)	1
2	609802	●FORMULA, 720 RINSE (4-1 GAL)	1

**SOLUTION TANK FILL HOSE – MANGUERA**  
**DE LLENADO DEL TANQUE DE SOLUCION**

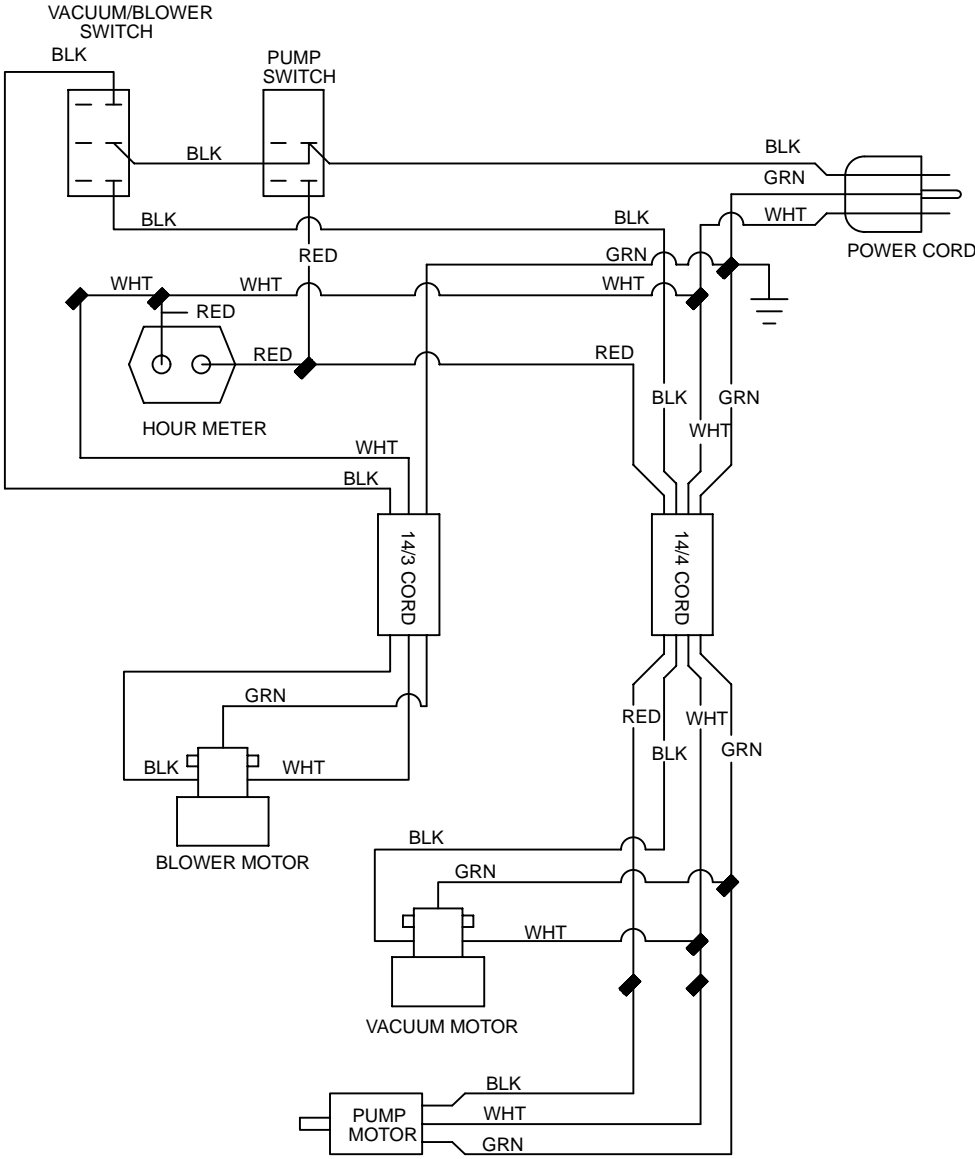


REF	PART #	DESCRIPTION	QTY.
▽	609983	HOSE, FILL	1
▲1	609984	ADAPTER, FAUCET	1
▲2	14894.48	HOSE, CLEAR 4.0 FT	1
▲3	606674	UNION CONN. BARB .5 X .5	1

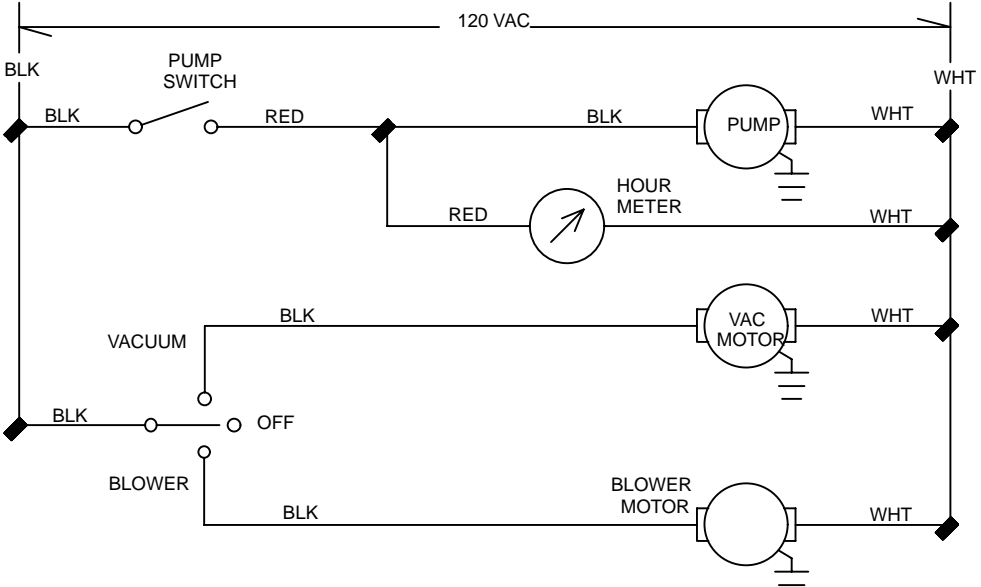
▽ ASSEMBLY / CONJUNTO

▲ INCLUDED IN ASSEMBLY / INCLUIDO EN EL CONJUNTO

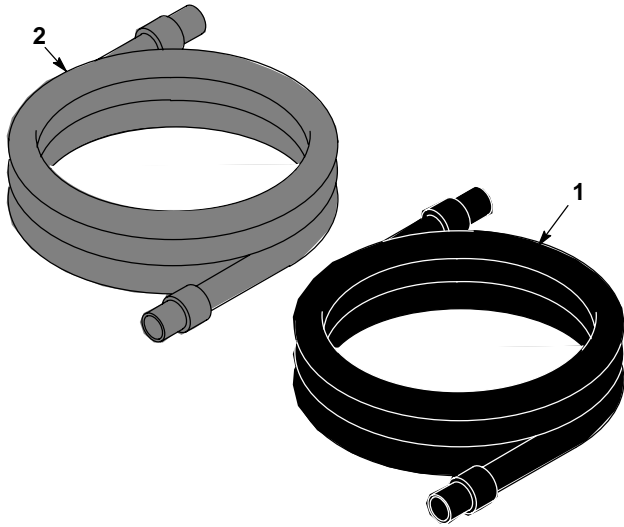
**120V WIRING  
DIAGRAM –  
DIAGRAMA DE  
CABLEADO DE  
120V**



**120V LADDER  
DIAGRAM –  
DIAGRAMA  
ESCALONADO  
DE 120V**

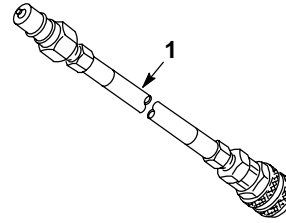


**15 FT (4.6 M) VACUUM AND  
BLOWER HOSES – MANGUERAS DE 15 PIES  
(4.6 M) DE ASPIRACION Y SOPLADO**



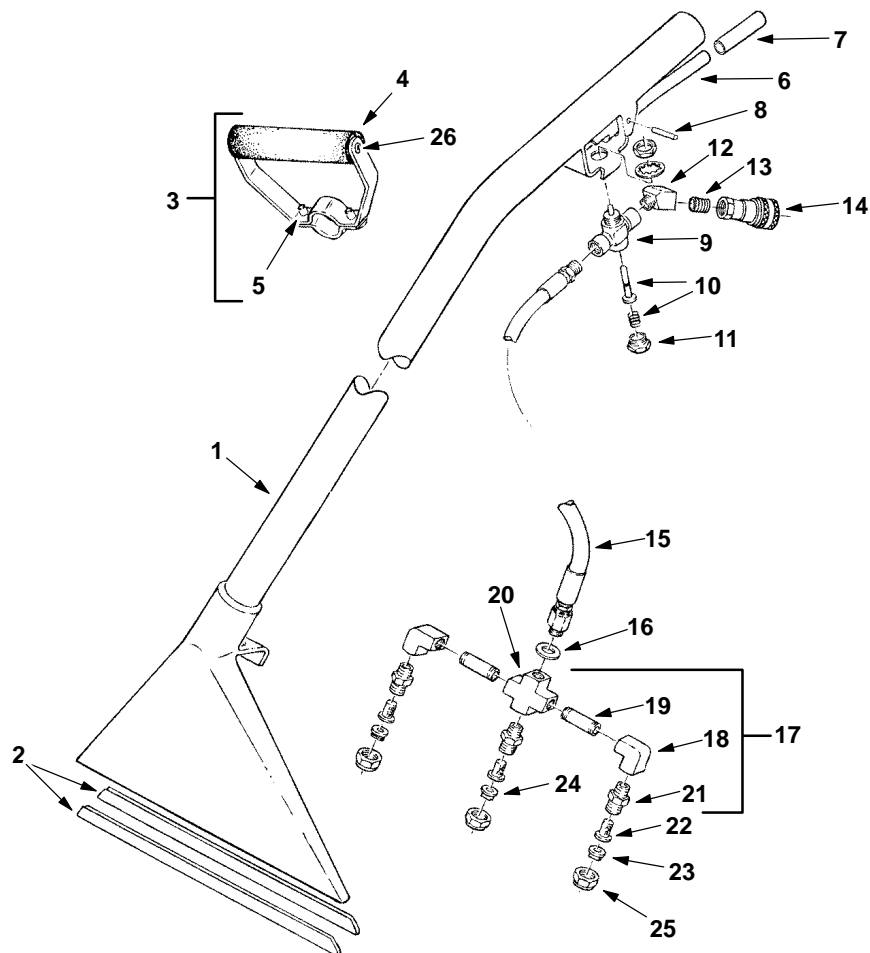
REF	PART #	DESCRIPTION	QTY.
1	609977	HOSE, 1-1/2X15' BLACK W/CUFFS	1
2	609978	HOSE, 1-1/4X15' GRAY W/CUFFS	1

**15 FT (4.6 M) SPRAY GUN SOLUTION HOSE  
– MANGUERA DE 15 PIES (4.6 M) DE  
REVOLVER ROCIADOR**



REF	PART #	DESCRIPTION	QTY.
1	609979	HOSE, 15 FT, SER60F-SER60M QD	1

**13 IN (330 mm) CARPET CLEANING FLOOR TOOL –  
13 PIES (330 mm) EL ACCESORIO PARA LIMPIAR ALFOMBRAS**



REF	PART #	DESCRIPTION	QTY.
	600049	TOOL, 13" FLOOR (COMPLETE)	1
1	200403.BK	TOOL, 13" FLOOR	1
2	200939	SHOES, FLOOR TOOL	2
3	200927	GRIP, ADJUSTABLE COMPLETE	1
4	200912	FOAM, GRIP	1
5	140259	SCREW, 1/4 X 5/8	2
6	200902	TRIGGER, FLOOR TOOL	1
7	200809	SLEEVE, TRIGGER	1
8	140605	PIN	1
	140520	NUT, PUSH	2
9	210150	VALVE, FLOW CONTROL	1
10	190603	KIT, VALVE PIN & SPRING	1
11	N/A	CAP, HEX, VALVE	1
12	150403	ELBOW, 1/4-45°	1
13	150615	NIPPLE, CLOSE 1/4	1

REF	PART #	DESCRIPTION	QTY.
14	150913	COUPLER, QUICK SER. 60	1
15	160175	HOSE, SOLUTION HP	1
16	140058	WASHER	1
▽17	700062	ASM., SPRAY BAR	1
▲18	150401	ELBOW, 90° 1/4F X 1/4F	2
▲19	150600	NIPPLE	2
▲20	150700	CROSS	1
▲21	200993	SPRAY BODY	3
22	200996	SCREEN, SPRAY BODY	3
23	200986	TIP, SPRAY (#9502)	2
24	200988	TIP, SPRAY (#11002)	1
25	200994	CAP, SPRAY BODY	3
26	140834	SCREW, 1/4-20 X 5/8	2
N/S	120845	DECAL, "HIGH PRESSURE"	1

▽ ASSEMBLY / CONJUNTO

▲ INCLUDED IN ASSEMBLY / INCLUIDO EN EL CONJUNTO

N/S - NOT SHOWN / NO INDICADO