

# DESIGNER DRY VACUUM

## IMPORTANT SAFETY INSTRUCTIONS



**READ AND UNDERSTAND ALL INSTRUCTIONS  
BEFORE OPERATING OR SERVICING MACHINE  
THIS MACHINE IS INTENDED FOR COMMERCIAL USE ONLY**



### DANGER!

**Failure to Observe These Instructions Can Cause Fire, Electrical Burn,  
Shock or Electrocution To Machine Operator or By-Standers.**

- **NEVER** attempt to operate machine unless you have been trained in its operation.
- This vacuum cleaner is designed for DRY pickup only. DO NOT use on wet surfaces or for wet pickup. STORE INDOORS.
- **NEVER** operate machine with a damaged, broken, cut, abraded, or taped cord or plug.
- **NEVER** operate machine with a broken grounding blade on the plug.
- **ALWAYS** replace entire cord when cord or plug is damaged in any manner. See page 2 for Wiring Diagram.
- **NEVER** handle machine, cord or plug with wet hands.
- **NEVER** drop or insert any object into any machine opening.
- **ALWAYS** keep face, fingers, hair or any body part, or loose clothing away from any machine opening or moving part.
- **NEVER** attempt to service or perform maintenance functions while machine is plugged into electrical outlet.
- **NEVER** leave machine unattended when plugged in. Unplug machine from electrical outlet when not in use.
- **ALWAYS** turn machine off before unplugging from electrical outlet.
- **NEVER** operate machine in the presence of flammable or combustible liquid or fumes.

When any electrical motor, switch, cord or plug service is required, maintenance should only be done by an authorized service station, an electrician or other qualified persons.

Never operate machine if it is not working properly, if it has been dropped, damaged exposed to weather, or dropped into water. Return machine to service center for examination and repair.

Never operate machine with any air opening blocked. Keep all air openings free of dust, lint, hair and the like.

Do not operate machine without dustbag and/or filters in place.

Always store machine indoors. Protect from rain or snow. Never spray top of machine with liquids.

Do not pull or carry machine by electrical supply cord, use cord as a handle, close door on cord, pull cord around sharp edges or corners or expose to heated surfaces.

Never disconnect plug by pulling on cord. To disconnect from outlet grasp the plug, not the cord.

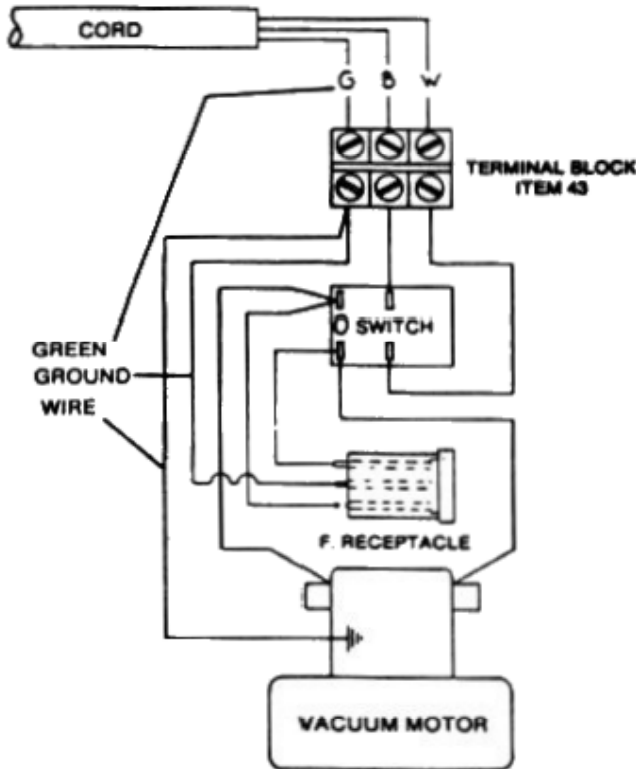
Always unplug machine before connecting or disconnecting any motorized brush attachment.

If machine is equipped with a motorized brush attachment, never run attachment over power cord.



## READ ALL INSTRUCTIONS AND FOLLOW ALL ILLUSTRATIONS CAREFULLY.

### WIRING DIAGRAM FOR DESIGNER DRY SINGLE MOTOR UNIT



Not Shown 57-112-1 Thermal Overload

## WARNING GROUNDING PROCEDURE

 Indicates Ground

The grounding system is designed to prevent the removal of the vacuum motor ground wire when a cord or switch is replaced.

Follow grounding sequence of assembly as shown to ground machine and ensure safety to operator.

**FAILURE TO DO SO MAY CAUSE ELECTROCUTION** due to improper connection of ground.

**Step 1:** The Green/Yellow Ground Wire from the vacuum motor is connected to the terminal strip, item #43, by the factory. There is no reason to remove this wire, unless the vacuum motor is being replaced.

**Step 2:** Green/Yellow Grounding Wire from cord, item 3, is then connected to the terminal strip, item #43.

Note: Internal wiring of unit **MAY NOT** match normal colors (black-white-green) of cord.

Replacement cords must be UL listed/CSA approved and be of the identical electrical specifications as the original equipment cord.

Check nameplate on machine to be sure voltage and cycle on nameplate is the same as voltage and cycle of electrical outlet. **DO NOT** attempt to plug a 115 volt machine into a 230 volt outlet or a 230 volt machine into a 115 volt outlet.

The grounding blade on the plug must remain **intact** if the machine is to be properly grounded when plugged in and operated. An ungrounded machine can cause shock to the operator. See Figure A.

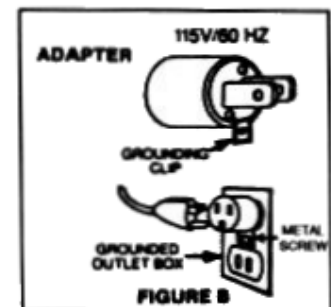
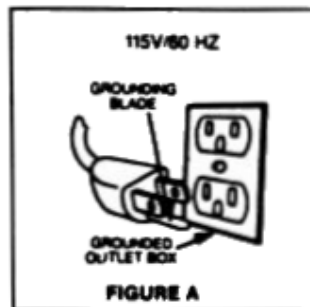
If connecting to an outlet that accepts only two blades use an adapter as in Figure B. **NEVER REMOVE THE GROUNDING BLADE.**

When grounding blade on plug is broken, it is preferable to replace the whole cord.

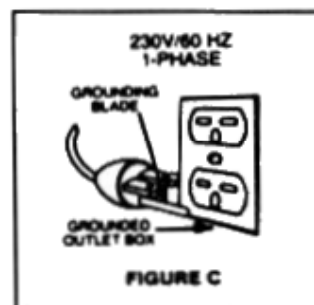
If you choose to replace 3-wire plug for 115V, use only U.L. Listed/CSA approved plug with rating of 125V, 15 amps (for 230V, use a 3-wire plug with a rating consistent with voltage and amps required.) Be sure that the green wire of the cord is connected to the green screw, and the black wire to gold screw of the replacement plug.

If it is necessary to use the adapter shown in Figure B, the machine is only properly grounded if the adapter's green colored clip is tied under screw that holds electrical outlet cover to the wall.

Figure C. Machine used on 230 volt may or may not have the grounding (earthed) plug attached to the cord. For U.S.A. 230 volt 60HZ, the plug is already supplied with cord. For use outside the U.S.A., it may be up to the purchaser to have a proper grounding (earthed) plug attached.



NOTE: Adapter NOT for use in Canada

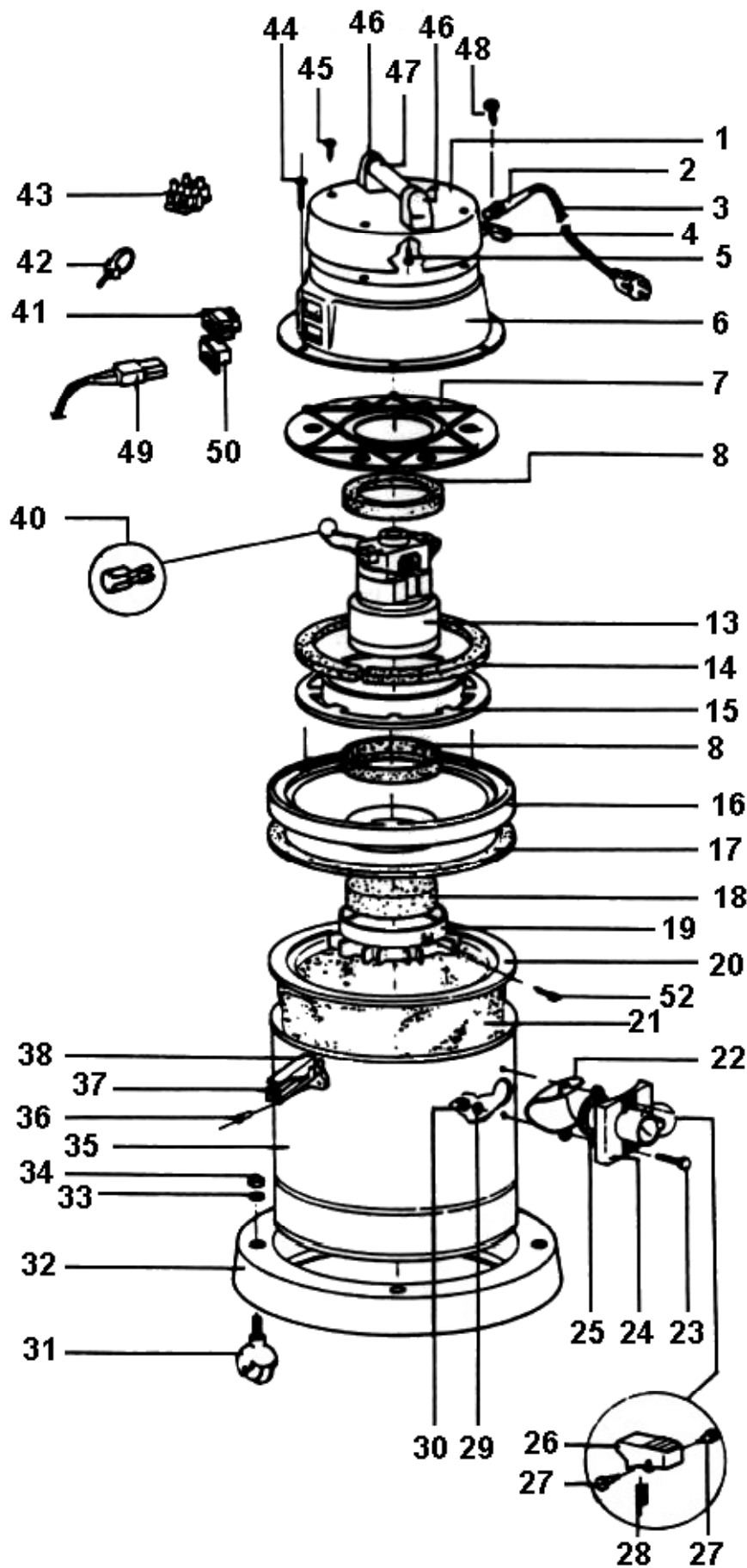


Always use a properly grounded 3-wire extension cord which has male and female plugs. Use only 16-3 ST or SO type extension cords for a total cord length up to 75 feet.

# DESIGNER "DRY"

## Illustrated Parts List

<u>Item No.</u>	<u>Part No.</u>	<u>Description</u>	<u>Quantity Req'd.</u>
1	57-101-1	Top Cover	1
2	57-102-1	Rubber Strain Relief	1
3	57-103-1	Cord 18-3 SJT 28'	1
4	57-104-1	Cord Clamp	1
5	57-105-1	Self Tap Screw 5 x 15	4
6	57-106-1	Lower Cover	1
7	57-107-1	Motor Holding Ring	1
8	57-108-1	Motor Gasket	2
13	57-113-1	115V Vacuum Motor (Lamb)	1
14	57-114-1	Filter Strip	1
15	57-115-1	Silencer Disc	1
16	57-116-1	Lid	1
17	57-117-1	Lid Gasket	1
18	57-118-1	Lid Filter	1
19	57-119-1	Bag Shaper	1
20	57-120-1	Bag Ring	1
21	57-121-1	Polyester Filter Bag	1
22	57-122-1	Intake Deflector	1
23	57-123-1	Bolt M6 x 30 Hex Nut	2
24	57-124-1	Intake- Plastic	1
25	57-125-1	Intake Gasket	1
26	57-126-1	Intake Push Button	1
27	57-127-1	Rivet	2
28	57-128-1	Button Spring	1
29	57-129-1	Washer 6m	2
30	57-130-1	6m Brass Hex Nut	2
31	57-131-1	Caster, Threaded Ball Type	4
32	57-132-1	Base—Includes Casters	1
33	57-133-1	Washer 8M	4
34	57-134-1	Hex Cap Nut 8M	4
35	57-135-1	Container, Stainless Steel	1
36	57-136-1	Pop Rivet 5 x 11	7
37	57-137-1	Lid Clamp	2
38	57-138-1	Clamp Hook	2
40	06-079-1	Push on Terminal	4
41	57-141-1	Switch	1
42	27-267-1	Wire Tie	2
43	57-143-1	Terminal Strip (3)	1
44	57-144-1	Self Tap Screw 5 x 20	8
45	57-145-1	Self Tap Screw 5 x 30	4
46	57-146-1	Handle Support	2
47	57-147-1	Handle Tube	1
46 & 47	57-148-1	Handle Complete	1
48	57-149-1	Self Tap Screw 4.2 x 18	2
49	57-150-1	Accessory Plug (End of Cord)	1
50	57-151-1	Accessory Socket	1
Not Shown	57-001-1	Top "Designer Label"	1
	01-077-1	Warning Label - White	1
	57-004-1	Warning Label - Red	1
	01-078-1	Grounding Label - White	1
	57-152-1	Filter Assembly - Includes Ring	1
	57-153-1	Can and Base Assembly Complete	



# DESIGNER DRY VACUUM ASSEMBLY, OPERATION AND MAINTENANCE

## I. ASSEMBLY

- 1) Your NSS Designer Dry Vacuum is assembled for operation except for installation of the hose, wand and attachments.

### a) Hose

The hose is attached to the intake on the container by means of the plastic hose coupling. Push intake push button, item 26, to insert and detach. A hose coupling, #57-002-1, may be ordered that will allow the use of standard 1-1/2" NSS hose, wands and attachments.

### b) Wand

The steel wand is a three-piece design. The wand has a collar that may be twisted open to release suction when using the machine for cleaning drapes, etc.

### c) Attachments

A complete attachment kit including a combination carpet/bare floor tool comes with each machine. Tools fit on the wand or the hose by twisting onto the tapered end.

### d) Power Wand

This component is standard on machine part number 57-5704.

## II. OPERATION

- 1) After machine is assembled with switch in off position, plug the conductor cord into electric outlet, making sure current is same as that which machine is designed to run on. Turn on rocker switch located on side of top cover.

### a) General Floor Cleaning

When machine is used for general purpose floor cleaning on either bare floors or carpeting, the operator should drop arm slightly to allow air to enter front edge of tool on forward stroke. On back stroke, do the reverse of the forward stroke—raise arm slightly to allow the back edge of tool to clear floor. This method gives the air a chance to do the work in the most effective manner.

Make strokes at a leisurely pace and at a length that feels the most natural. *Always work away from the machine, pulling machine behind you.*

### What To Do if Vacuum Shuts Off During Use:

Models manufactured after mid 1987 are equipped with an automatic resetting thermal overload in the vacuum motor circuit. If Vacuum stops, turn OFF vacuum. Check for plugged filter bag, blocked hose or any air opening. Clear any obstructions and allow vacuum to cool. Restart. Test thermal overload with an ohmmeter or continuity light. Continuity indicates overload is functional. No continuity indicates overload has tripped or needs to be replaced.

**WARNING: DO NOT ATTEMPT MAINTENANCE OR REPAIRS BEFORE DISCONNECTING CORD FROM ELECTRICAL POWER SOURCE.**

## III. MAINTENANCE

- 1) *Lubrication*—The motor has sealed bearings which require no further lubrication. Casters and wheels should be oiled as required.
- 2) *Current*—Machine should be run only on voltage specified on name plate.
- 3) *Hose*—should be removed from machine after each use. The tube handle should be removed from hose. It should then be laid in a loose coil or hung over several pegs on the wall, to remove the strain on it.
- 4) *Filter*—a polyester filter bag #57-121-1 is standard on the unit. Shaking lightly before removing from container will clean filter. For fine dust a paper bag #02-890-1 is available.

### Paper Filter Installation

- a) Remove vacuum motor and filter bag assembly.
- b) Place paper bag in the container and roll the elastic edge over the edge of the container.
- c) Replace vacuum motor and filter bag assembly in the normal manner.
- 5) *Tools*—Floor tools should be removed from the end of the tube handle after using.
- 6) *WHAT TO DO IN CASE OF LOSS OF SUCTION*— Ordinarily loss of suction is caused by a simply created cause. The following suggestions are listed as a guide.
  - a. Check tool, hose, and tube handle for plugging. If plugged, unplug.
  - b. Remove hose from machine and check suction at intake, if still suction loss.
  - c. Check lid gasket to see if making proper seal. If worn, replace item #17.
  - d. Check filter bag for clogging. If dirty, clean.
- 9) After 500 hours of running time, check vacuum motor carbon brush-bar. When carbon brushes and copper on commutator are worn, return to authorized NSS service station for repair.

**WARNING: TO AVOID ELECTRIC SHOCK DO NOT EXPOSE TO RAIN.  
STORE INDOORS**

**IMPORTANT  
SAVE THESE INSTRUCTIONS**



**THE NATIONAL SUPER SERVICE COMPANY**

3115 FRENCHMENS ROAD, TOLEDO, OHIO 43607-2958

PHONE (419) 531-2121 • FAX (419) 531-3761