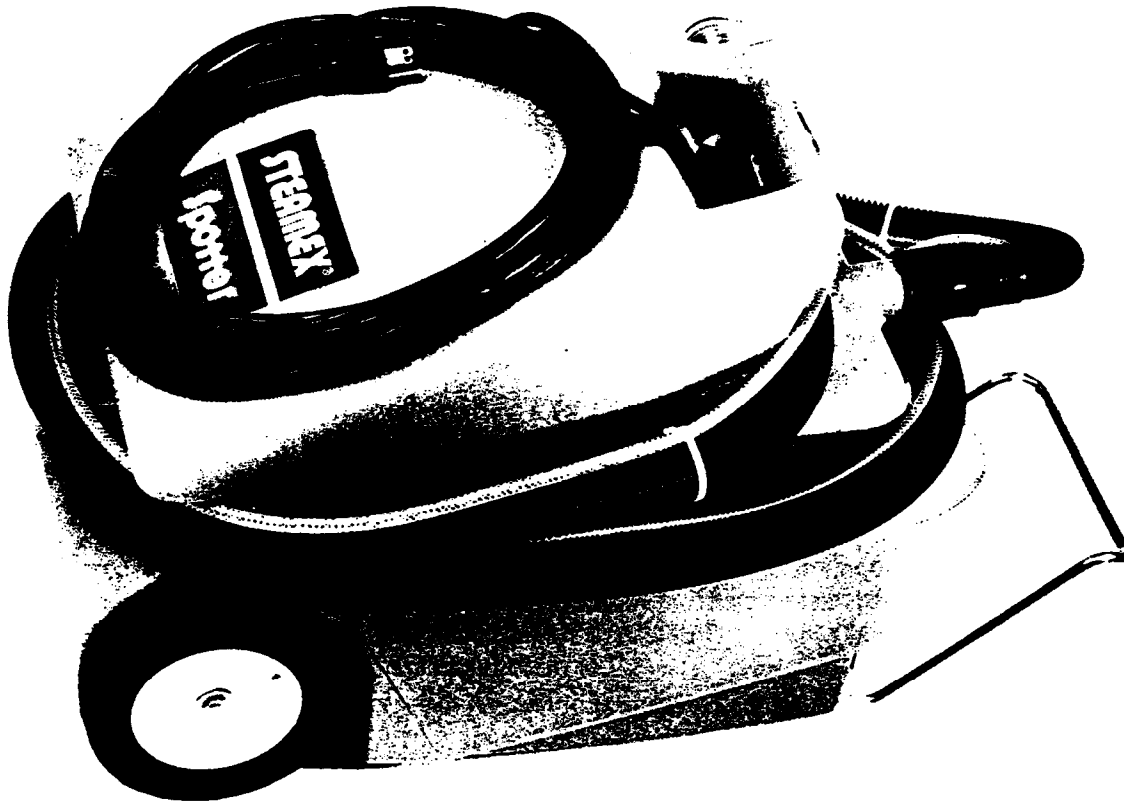


STEAMEX[®]

SPOTTER



Operating & Maintenance Instructions

Introduction

READ THIS BOOK

This operator's book has important information for the use and safe operation of this machine. Read this book carefully before starting the machine. Keep this book and tell all operators to read the book. If you do not follow the instructions, you can cause an injury, or damage equipment, furniture or buildings.

All directions given in this book are as seen from the operator's position at the rear of the machine.

For new books, write to **Pacific Steamex Cleaning Systems, Inc.**, 2259 S. Sheridan, Muskegon, Michigan 49442-6252.

Carefully inspect all components to insure that there is no concealed freight damage. If such damage is discovered, file a "CONCEALED DAMAGE REPORT" immediately with the delivering carrier.

The contents of the Manual are based on the latest product information available at the time of publication. Pacific Steamex reserves the right to make changes or improvements to its machines without notice.

FOR YOUR CONVENIENCE, RECORD THE MACHINE MODEL AND SERIAL NUMBERS HERE:

MODEL _____

SERIAL _____

IMPORTANT SAFETY INSTRUCTIONS

READ AND UNDERSTAND ALL WARNINGS AND INSTRUCTIONS BEFORE USING THIS APPLIANCE!

WARNING! To reduce the risk of fire, electric shock, or injury:

1. Unplug from outlet when not in use and before servicing.
2. Do not use outdoors. Protect the machine from rain.
3. Do not allow to be used as a toy. Close attention is necessary when used by or near children.
4. Use only as described in this manual.
5. Never use this machine to pick up volatile or explosive materials!
6. Do not use this machine for pick up of dust or dry debris.
7. Do not use with damaged cord or plug. If appliance should not work as it should, has been dropped or damaged, left outdoors, or dropped into water, return it to service center.
8. Do not pull or carry by cord, use cord as handle, close a door on cord or pull cord around sharp edges or corners. Do not run appliance over cord. Keep cord away from heated surfaces.
9. Do not unplug by pulling on cord. To unplug, grasp the plug, not the cord
10. Do not handle plug or appliance with wet hands. Do not immerse. Keep the machine in a dry building.
11. Do not put any objects into opening. Do not use with any opening blocked: keep free of dust, lint, hair and anything that may reduce airflow.
12. Keep hair, loose clothing, fingers and all parts of the body away from openings and moving parts.
13. Turn off all controls before unplugging.
14. Do not use in areas where flammable or combustible liquids such as gasoline may be present.
15. Connect to a properly grounded outlet only.
16. Do not use water that is hotter than 82°C (180°F).
17. To prevent damage to the solution system, do not store in freezing temperatures without proper maintenance.

Grounding Instructions

This machine must be grounded. If it should malfunction or break down, grounding provides a path of least resistance for electric current to reduce the risk of electric shock. This machine is equipped with a cord having an equipment-grounding conductor and grounding plug. The plug must be inserted into an appropriate outlet that is properly installed and grounded in accordance with all local codes and ordinances.

WARNING - Improper connection of the equipment-grounding conductor can result in a risk of electric shock. Check with a qualified electrician or service person if you are in doubt as to whether the outlet is properly grounded. Do not modify the plug provided with the machine - if it will not fit the outlet, have a proper outlet installed by a qualified electrician.

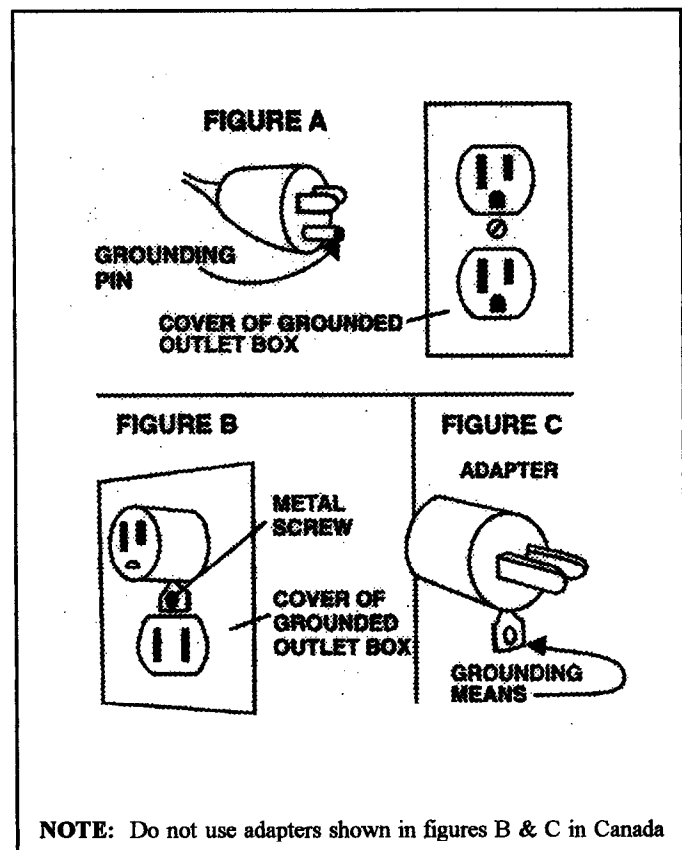
This machine is for use on a nominal 120-volt circuit, and has a grounded plug that looks like the plug illustrated in figure A. A temporary adapter that looks like the adapter illustrated in figures B and C may be used to connect this plug to a 2-pole receptacle as shown in figure B if a properly grounded outlet is not available. The temporary adapter should be used only until a properly grounded outlet (figure A) can be installed by a qualified electrician. The green colored rigid ear, lug, or the like extending from the adapter must be connected to a permanent ground such as a properly grounded outlet box cover. Whenever the adapter is used, it must be held in place by a metal screw.

NOTE: In Canada, the use of a temporary adapter is not permitted by the Canadian Electrical Code


EXTENSION CORDS

Use only three-wire 14/3 or larger gauge approved extension cords that have three-prong grounding type plugs and three-pole receptacles that accept the appliance's plug. Replace or repair any damaged cords or plugs.

When servicing, refer to authorized person only. Use only identical replacement parts.




OPERATING AND MAINTENANCE

 **WARNING!** For safe operation of this machine, follow the instructions given in this booklet and the training given by your supervisor. Failure to do so can result in personal injury and/or damage to machine and property!

 **DO NOT OPERATE MACHINE IN AN EXPLOSIVE ENVIRONMENT!**

 **WARNING! NEVER USE THIS MACHINE TO PICK UP VOLATILE OR EXPLOSIVE MATERIALS.**

 **THIS MACHINE IS DESIGNED FOR COMMERCIAL USE AND IS NOT TO BE USED FOR VACUUMING OF DRY MATERIAL.**

Operating

To prepare the machine for operation, make sure it is of the correct voltage and properly assembled. If in doubt, ask your supervisor.

Assembly & Operation

1.) This machine separates into two parts. The top half is the recovery tank the lower portion is the solution tank.

2.) To fill the solution tank with water and cleaning chemical you must first remove the recovery tank. To do so, release the clamp located at the front of the machine. Grasp recovery tank handle and pull slightly forward and up.

3.) Looking down on the solution tank you will see a white filter screen assembly held in place with two screws. Pour up to 2 gallons of water and cleaning chemical through the screen to fill tank. Powdered chemical must be premixed with water before pouring into solution tank.

4.) To reattach recovery tank place on top of solution tank. Slide to rear so that the male and female latch engage. Then lock in place by securing clamp at the front of machine.

5.) Attach solution hose male quick connect fitting to the brass female fitting located at the center of the power panel at the front of the machine.

6.) Attach the vacuum hose to the vacuum inlet port on the recovery tank.

7.) Plug power cord into a grounded wall socket.

8.) Turn machine power switch to the on position. This will activate pump and vacuum motors.

9.) Place tool head on surface to be cleaned, squeeze solution valve lever on tool assembly this will begin a flow of solution. Pull tool towards you to begin the cleaning process.

10.) To transport machine slide metal handle out and raise the front. Roll on wheels to next cleaning area. The machine may be transported with solution in tanks.

11.) To empty the recovery tank, unhook clamp at front of machine, grasp handle on recovery tank slide tank slightly forward and up. Pour contents of tank into an appropriate drain.

12.) Once cleaning operation has been completed both tanks should be flushed out with water. To empty solution tank, pump solution out through tool or optional drain hose.

DO NOT ATTEMPT TO POUR.

13.) When not in use, wrap solution and vacuum hose around machine body. Power cord should be coiled and secured with velcro strap on top of machine to avoid damage.

Maintenance

ALWAYS turn the machine power switch off and unplug the power cord from electrical outlet before doing any clean up or repairs, and when the machine is left unattended.

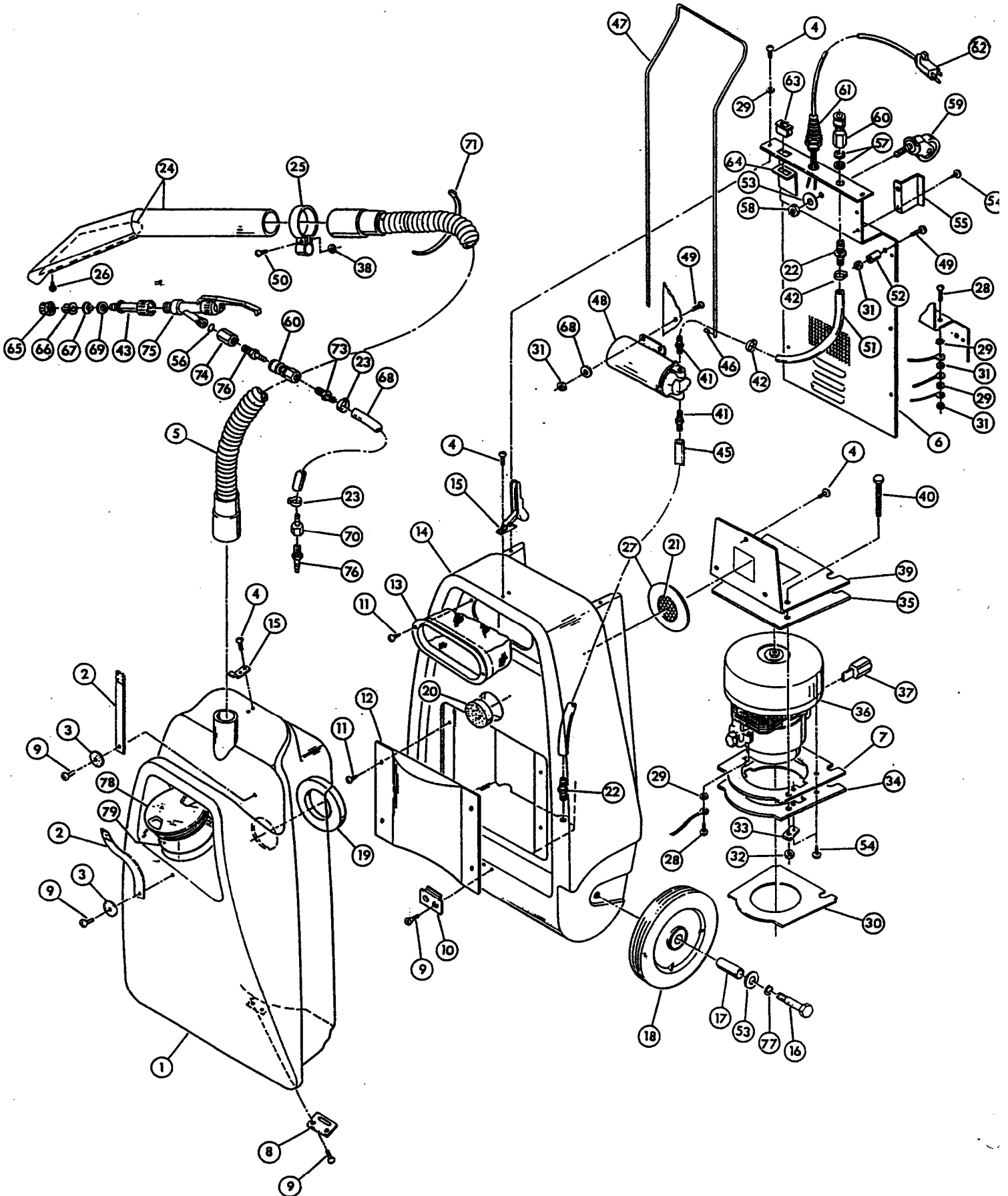
Filter Maintenance

This machine is equipped with two filters that require cleaning periodically.

The white solution filter assembly is mounted on the solution tank. To clean; remove the two mounting screws and lift out. Flush with warm water to remove debris and reinstall.

The vacuum filter is made of a black sponge like material, it is 2 inches in diameter and is mounted on the solution tank directly behind the solution filter. To clean, flush with warm water. **DO NOT** reinstall until dry.

RENTAL SPOTTER



SPOTTER/RENTAL SPOTTER

Item	Part Number	Description	Quantity
1	228605	Tank Vacuum - Spotter	1
1	228606	Tank Vacuum - Rental Spotter	1
2	638502	Strap	1
3	639401	Velcro - Pop On Hook	2
4	W356D	8-32 x 1/4 RHP MS S/S	17
5	224101	Hose Vac	1
6	221901	Chassis - Pump	1
7	227602	Seal - Baffle	1
8	225101	Latch - Tank	1
9	962105	8-32 x 3/8 Phil Flt Hd	6
10	224501	Hook - Tank	1
11	W136D1	#8 x 1/2 THP SMS B/O	6
12	222301	Cover - Vac Mtr	1
13	223301	Filter Asm	1
14	228604	Tank Solution	1
15	222001	Clamp Machine	1
16	962103	3/8-16 x 2-1/4 Hex Hd Cap	2
17	208270	Spacer - Wheel	2
18	209770	Wheel 6 Dia.	2
19	223402	Gasket - Vac Tank	1
20	223302	Filter - Vac	1
21	228501	Screen - Filter	1
22	223309	Fitting 3/8 Hose to 1/4 Pipe	2
23	222002	Clamp 3/8 Hose	2
24	224502	Head - Pick Up	1
25	222004	Clamp - Valve	1
26	964058	Screw - Pick Up Head	4
27	633401	Gasket - Bag Mount	1
28	962030	Screw - 10 - 32 x 1/2 Type F Pan H	1
29	980015	Washer #10 Ext Tooth Shakepr	5
30	221301	Baffle - Cooling	1
31	W106D	Nut 10-24 Hex S/S	2
32	920011	Nut 1/4-20 Elastic	4
33	227201	Retainer - Vac Mtr	2
34	221302	Baffle - Vac	1
35	227601	Seal - Vac Brkt	1
36	605210	Motor - Vac 115V 50/60C	1
37	600903	Carbon Brush	2
38	920623	Nut - Clamp	1
39	220804	Bracket - Vacuum	1
40	W103D	1/4-20 x 3-1/2 HH CS	2
41	223308	Fitting 3/8 Hose to 3/8 Pipe	2
42	202050	Clamp - Solution Hose	4

SPOTTER/RENTAL SPOTTER

43	220202	Adaptor - Tip	1
44	980036	Washer - #8 Flat S/S	4
45	224107	Hose - Pump to Tank	1
46	W325D	Roll Pin - 1/8 x 5/8	2
47	223901	Handle - Pull	1
48	3790	Pump - 115V	1
	202701	Diaphragm Kit	1
	209406	Bypass Valve Kit	1
49	W153D2	10-24 x 3/4 PHP MS S/S	3
50	964059	Screw - Clamp	1
51	224108	Hose - Pump to QD	1
52	1415	Spacer	2
53	980007	Washer - 5/16 Flat	2
54	962089	10 x 3/4 Type AB PN HD Phil	8
55	228502	Support - Hndl	2
56	227301	O-Ring	1
57	980035	Washer - 9/16 ID Int Tooth Shake	2
58	920002	Nut - 3/8-16 Hex	1
59	519702	Caster - 3/8-16 x 1.25 Stem	1
60	222402	Coupling - QD Tank Female	2
61	A13020	Relief - Strain - Heyco	1
62	908062	Cord Asm 16 - 3x25 ft SJT	1
63	911089	Switch - Rocker Spst - 16 AMP	1
64	224701	Insulator Switch	1
65	920622	Nut - 3/8 Plastic	1
66	224901	Jet - Spray	1
67	223311	Filter	1
68	980004	Washer - 1/4 Flat	2
69	980618	Washer - Sealing	1
70	223310	Female Connector 1/8 Hose X	1
71	A13066	Wire Ties	8
72	222405	Caddie - Spotter Bottle	1
73	223307	Fitting 1/8 Hose x 1/4 NPT	1
74	220201	Adaptor	1
75	229401	Valve Asm	1
76	222406	Coupling - QD Hose Male 1/8 NPT	2
77	980009	3/8 Lock Washer	2
78	222302	Cover - Clean Out Rental Spotter	1
79	223403	Gasket - cover	1

PACIFIC STEAMEX CLEANING SYSTEMS INC. LIMITED WARRANTY

This **Pacific Steamex** Cleaning Systems Inc., Industrial Maintenance Machine has been manufactured, tested and inspected in accordance with specific engineering requirements, is WARRANTED to be free from defects in workmanship and materials, as follows.

This warranty extends to the original user/purchaser and only when used, operated and maintained in accordance with **Pacific Steamex** Cleaning Systems Inc. Operating and Maintenance instructions.

5 YEARS — ROTATIONAL MOLDED COMPONENTS.

1 YEAR — ALL OTHERS EXCEPT AS NOTED

This warranty does not apply to certain wear parts and accessories of the machine such as electrical cords, carbon motor brushes, floor brushes, hoses, tools, etc., nor does it apply to damage or failure caused by improper use, abuse or neglect. Warranty credit or replacement of return parts including motors, pumps, etc., is subject to incoming inspection of those items.

To secure repair under this warranty, the following procedure should be taken:

- The inoperative machine or warranted parts must be delivered to the authorized dealer with shipping and delivery charges prepaid. If unable to locate the Dealer, you may contact **Pacific Steamex** Cleaning Systems Inc. at the address listed herein for the location of the nearest **Pacific Steamex** Cleaning Inc. repair center or agent or for other instructions pertaining to your warranty difficulty.
- Upon compliance with the above warranty procedure, all warranted repairs will be completed at no additional charge or cost to the user.
- Only **Pacific Steamex** Cleaning Systems Inc. or its authorized dealers and agents may make no charge warranty repairs on this product. All others do so at their own risk.

This warranty limits **Pacific Steamex** Cleaning Systems Inc. liability to the repair of the product and/or warranted parts replacement and does not include incidental or consequential damages arising from the use of a **Pacific Steamex** Cleaning Systems Inc. machine whether defective or not.

This warranty is in lieu of all other expressed or implied warranties and is extended to the original purchaser/user.

PACIFIC STEAMEX CLEANING SYSTEMS INC.

2259 S. SHERIDAN

MUSKEGON, MICHIGAN 49442-6252

616-773-1330

FAX 1-616-773-1642