

User's Manual  
For The  
**Collector 28**

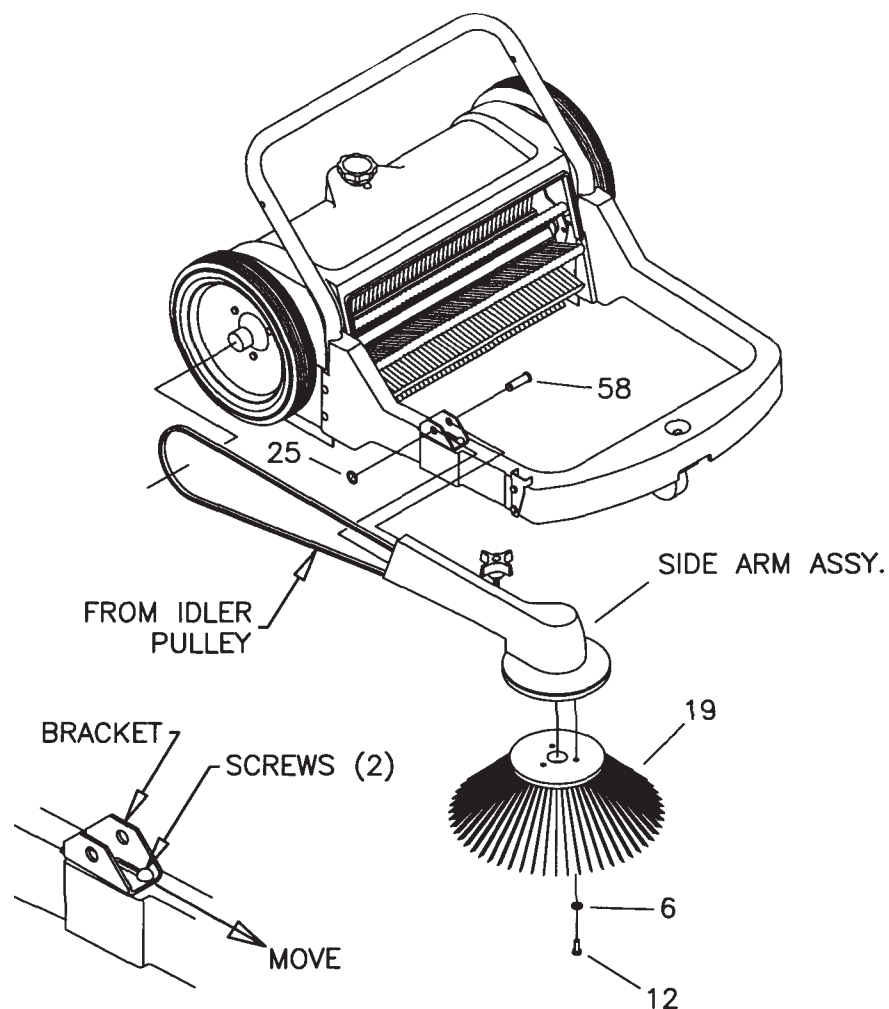


## **Unpacking Instructions**

This unit is packed with a sidearm assembly and sidebroom inside the hopper. Refer to page 2 of the Parts Manual for assembly and adjustment.

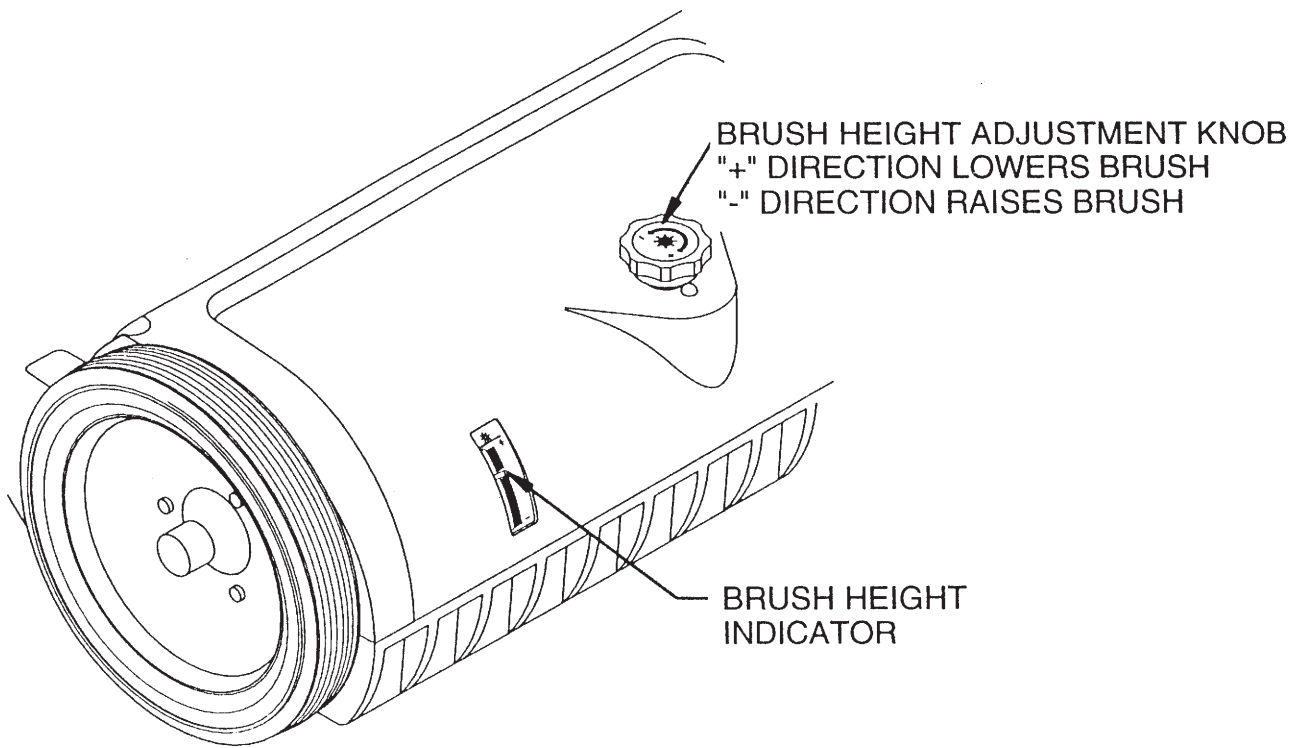
## **Operation**

This unit works with two brushes the disc type sidebroom brings the dirt and waste from the side into the path of the main broom. The main broom turns against the direction of the travel and throws the dirt into the collection hopper. Both brushes are driven by the wheels. The main broom sweeps forward while traveling forward and does not sweep in reverse. The sidebroom assembly will rotate in both directions depending on forward or backward motion. The main broom assembly is a split core design. When replacing broom assembly both halves should be replaced together.



## ASSEMBLY INSTRUCTIONS

1. Mount the side broom (19) to the brush plate on the side arm assembly using (3) hex head bolts (12) with flat washers (6).
2. Position the v-belt from the side arm assembly around the pulley attached to the backside of the right wheel. In order to do this it will be necessary to twist the v-belt. The lower loop of the v-belt should be coming from the idler pulley (not from the broom pulley).
3. Attach the side arm assembly to the hinge bracket on the frame by aligning the bushing in the side arm with the holes in the sides of the hinge bracket and inserting a pin (58). Secure the pin in place by inserting a retaining ring (25) into the groove in the pin.
4. Check for proper rotation and operation of the side broom. The broom should rotate counter clockwise when the sweeper is pushed forward - if not the v-belt was installed incorrectly. If the belt slips the tension can be adjusted by loosening the 2 screws that attach the hinge bracket to the frame, move the bracket forward, then re-tighten the screws.



## Adjusting Main Broom

The broom should be adjusted so that the bristles just make contact with the surface to be swept. Increased brush pressure to the surface **does not** enhance sweeping capability. Additionally, placing the bristles too close to the surface will increase the forces needed to operate the machine and may shorten the lift of the bristles.

## Sidearm Assembly Adjustment

The sidearm assembly should be adjusted so that the bristles deflect slightly from the surface to be swept.



***“The Power of Clean”***

PowerBoss, Inc 175 Anderson Street P.O. Box 1227- Aberdeen North Carolina 28315

Phone: 800-982-7141 - Fax: 1-800-277-7141 Local: 910-944-2105 Fax: 910-944-7409 e-mail: [techsupport@powerboss.com](mailto:techsupport@powerboss.com)