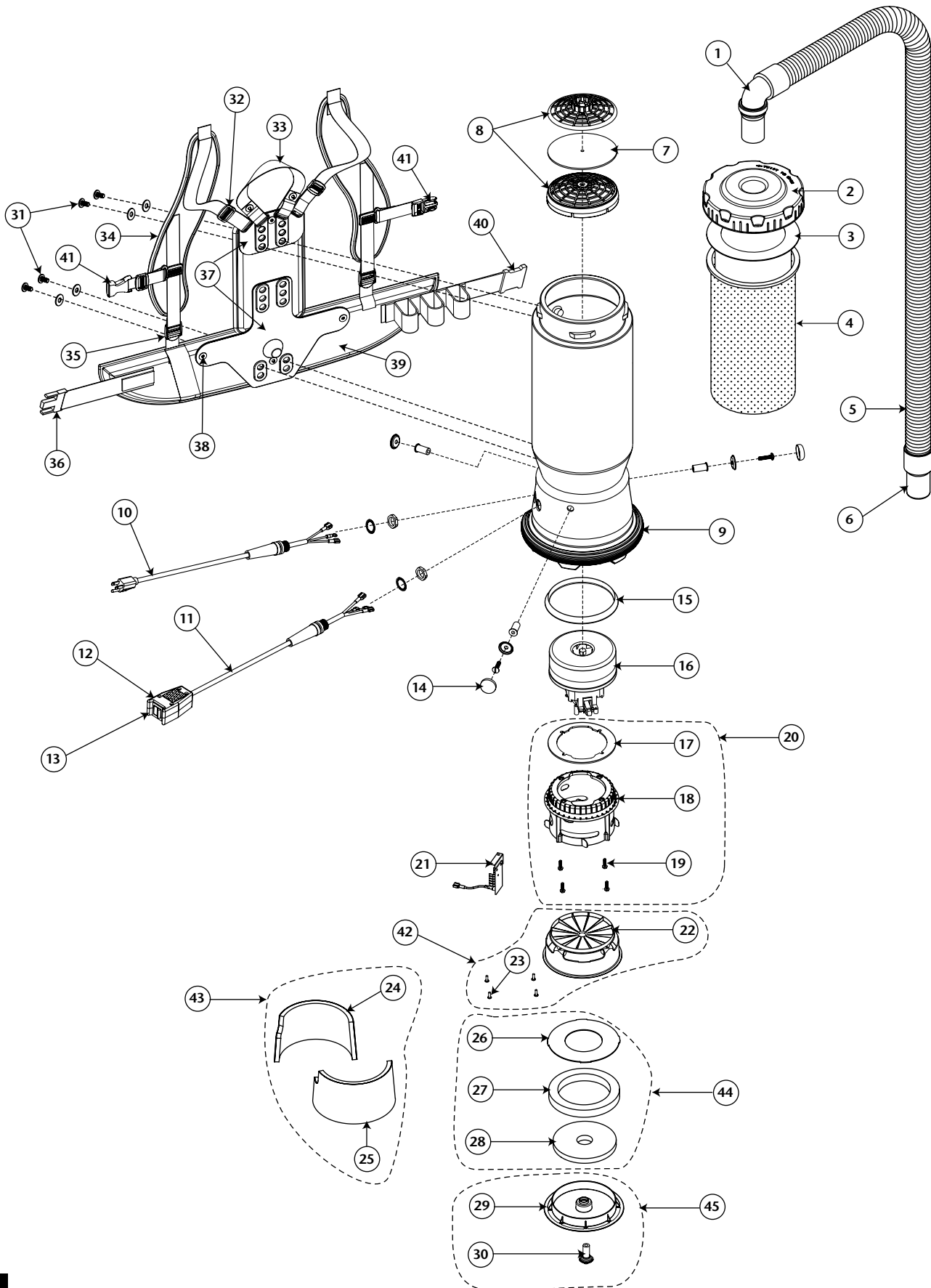


# QUIETPRO BP PARTS



# QUIETPRO BP PARTS

No.	Product Name	Qty	List Price
1	101928 Elbow Cuff, Swivel	1 ea.	\$ 8.38
2	104273 Twist Cap (Black)	1 ea.	26.68
3	100431 496 Sq. In. Intercept Micro Filter	10/pk	15.00
4	100564 Micro Cloth Filter	1 ea.	22.61
5	103048 Static-Dissipating Hose (Black) w/Cuffs 1½"	1 ea.	23.05
6	100694 Replacement Swivel Cuff (Black) 1½"	1 ea.	4.98
7	100343 Foam Filter Media for Dome Filter	1 ea.	1.22
	101220 High Filtration Disk (Optional)	2/pk	9.99
8	100030 Dome Filter w/Foam Media	1 ea.	7.28
9	100586 Bottom Bumper	1 ea.	6.68
10	100641 Power Cord Assembly Complete w/Strain Relief	1 set	17.59
11	105748 Switch Cord Assembly Complete F/QuietPro	1 set	34.13
12	101472 Switch Box w/Velcro and Screws	1 set	21.83
13	105438 On/Off Switch	1 ea.	17.98
14	100368 Motor Mounting System Set: 3 Well Nuts, 3 Bolts, 3 Washers, 3 Covers	1 set	12.13
15	105643 Tetraseal, Motor	1 ea.	10.50
16	105722 Motor, (120V), 2-Stage (includes: #17)	1 ea.	89.25
	105697 Carbon Brush Set for QuietPro Motor	1 set	19.40
17	105605 Gasket, Motor	1 ea.	5.78
18	105149 Cap, Motor	1 ea.	16.28
19	105763 Screw, 10-32 x .75, Self Tapping	4/pk.	2.63
20	105619 Motor Mount Assembly (includes: #17, 18, 19)	1 set	29.93
21	105653 Dual Speed Module and Schematic	1 ea.	55.65
22	105150 Exhaust Housing, Motor	1 ea.	12.60
23	105767 Screw, #8 x ½", Phillips, Hi/Lo	4/pk.	2.63
24	105422 Acoustical Insert, Left	1 ea.	23.10
25	105419 Acoustical Insert, Right	1 ea.	23.10
26	105337 Ring, Motor Housing, Large	1 ea.	12.86
27	105342 Foam, Ring, Motor Housing	1 ea.	15.75
28	105343 Foam, Cover, Motor Housing	1 ea.	11.03
29	105341 Cover, Motor Housing	1 ea.	10.76
30	105613 Motor Mount	1 ea.	6.30
31	100716 Backplate (Blk) Connection Set: 4 Screws w/Washers	1 set	12.13
32	100358 Shoulder Strap Plastic Adjustment (Top)	1 ea.	.91
33	101737 Carry Handle w/Rivet and Washer Set	1 set	7.89
34	100356 Shoulder Strap Assembly: (includes: #32, 35, 41)	1 set	15.77
35	100357 Shoulder Strap Plastic Adjustment (Bottom)	1 ea.	.91
36	100364 Waist Belt Latch	1 ea.	6.68
37	105046 Backplate Assembly (includes: #38)	1 set	24.26
	103166 Backplate System Complete (includes: #31, 32, 33, 34, 35, 36, 37, 38, 39, 40, 41)	1 set	60.64
	100354 Strap Assembly Complete (includes: #32, 34, 35, 36, 39, 40, 41)	1 set	48.51
38	100375 Barrel Nut Connection Set for Backplate (Replacement)	1 set	5.46
39	100359 Waist Belt (includes: #36, 40)	1 ea.	36.38
40	103963 Waist Belt Keeper	1 ea.	6.68
41	103627 Sternum Strap Buckles (Latch and Keeper)	1 set	1.94
42	105620 Housing, Exhaust, Motor F/QuietPro (includes: #22, 23)	1 set	29.93
43	105621 Kit, Foam, Laminate Acoustical Panels (includes: #24, 25)	1 set	38.33
44	105622 Kit, Exhaust, Foam and Ring (includes: #26, 27, 28)	1 set	33.60
45	105623 Kit, Cover, Exhaust F/QuietPro (includes: #29, 30)	1 set	15.75
	101678 50' Extension Cord (Not Shown)	1 ea.	27.50